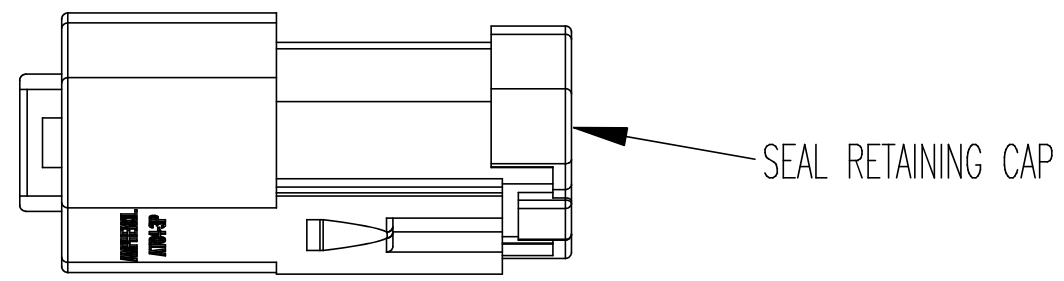


REVISIONS						
REV	ZONE	ECO	DESCRIPTION	DATE	BY	APPR
02	--	--	UPDATE CONTACT PART NUMBER	06MAR12	--	RFC
03	--	--	UPDATE DRAWING FORMAT	06NOV13	DRP	DRP

NOTES: UNLESS OTHERWISE SPECIFIED

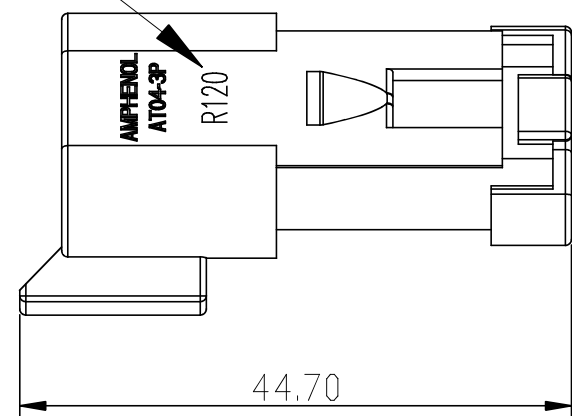
- ① DIMENSIONS ARE FOR REFERENCE ONLY.
- ② PART NUMBER AT04-3P-RJ120BK IS FULLY ASSEMBLED READY FOR INSTALLATION.
- ③ COLOR TO BE SINE SYSTEMS STANDARD 'AT' BLACK.



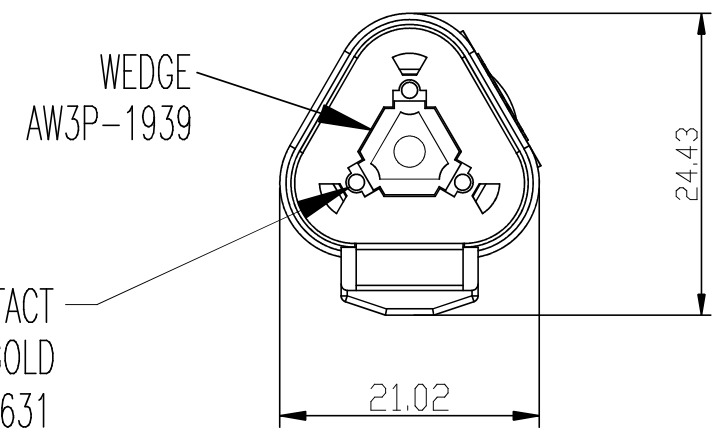
SEAL RETAINING CAP

REAR SOLID SEAL

LASER MARK "R120"  
RESISTOR VALUE



44.70



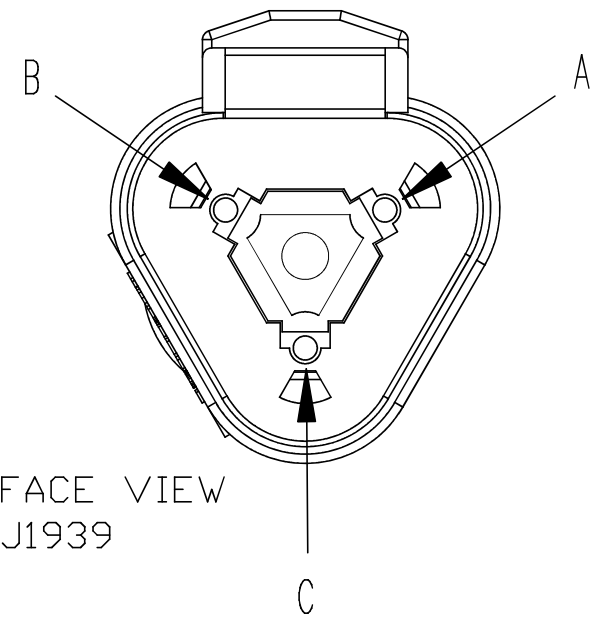
WEDGE  
AW3P-1939

MALE CONTACT  
MACHINED, GOLD  
AT60-202-1631  
2x

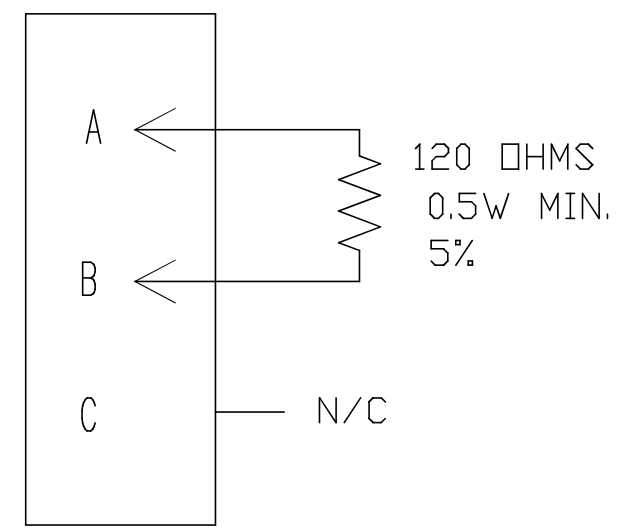
24.43

21.02

WIRING DIAGRAM



FACE VIEW  
J1939



120 OHMS  
0.5W MIN.  
5%

N/C

CUSTOMER DRAWING

ITEM	PART NUMBER	Qty	DESCRIPTION	REMARK
<b>MATERIALS LIST</b>				
UNLESS OTHERWISE SPECIFIED 1) All dimensions are in metric(mm). 2) Tolerances are as follows: 1 PL DEC ±0.20 2 PL DEC ±0.10 3 PL DEC ±0.05			MATERIAL SPECIFICATIONS:	<b>SINE Systems Corporation</b> A Subsidiary of Amphenol Corporation
SIGNATURE			PROCESS SPECIFICATIONS: IPC-A-620	
DATE			RECEPT, 3 WAY, J1939, 120 OHM, BLACK	
DRAWN R. CURRY 02-MAR-12			DWG NO. AT04-3P-RJ120BK	
CHECKED R. CURRY 02-MAR-12			THIRD ANGLE PROJECTION	
ENGINEER R. CURRY 02-MAR-12			FSCM NO.	
APPROVAL R. CURRY 02-MAR-12			SIZE A3	
CUSTOMER ALL			MASS	
			REV. 03	
			SCALE NONE	
			NEXT ASSY:	
SHEET 1 OF 1				

THIS DRAWING IS SUPPLIED FOR INFORMATION ONLY. DESIGN FEATURES, SPECIFICATIONS AND PERFORMANCE DATA SHOWN HEREON ARE THE PROPERTY OF THE AMPHENOL CORPORATION. NO RIGHTS OF REPRODUCTION ARE IMPLIED. ALL DIMENSIONS ARE SUBJECT TO NORMAL MANUFACTURING VARIATIONS.

## X-ON Electronics

Largest Supplier of Electrical and Electronic Components

*Click to view similar products for [Automotive Connectors](#) category:*

*Click to view products by [Amphenol](#) manufacturer:*

Other Similar products are found below :

[003-018-000](#) [60403001](#) [60993906-B](#) [M902-2131](#) [M902-2161](#) [72.330.1035.1](#) [73.353.4028.0](#) [F119300-B](#) [F166900](#) [F258300-B](#) [F358300-B](#)  
[F407400](#) [F444110](#) [F487000](#) [F509500B-B](#) [827153-1](#) [8N1515-32-24P](#) [9-1326729-8](#) [925474-1](#) [928905-1](#) [964562-4](#) [968782-1](#) [GT17SA-8DS-](#)  
[HU](#) [98891-1012](#) [98947-1016](#) [12004475-L](#) [12010290](#) [12010309-B](#) [12015454](#) [12020219-B](#) [12020308](#) [12041318-B](#) [12052225-L](#) [12052466](#)  
[12059125](#) [12064869](#) [12004327-B](#) [12010503-B](#) [12015308](#) [12015384](#) [12015909](#) [1-21030-1](#) [12041254](#) [12041318](#) [12047946-B](#) [12047957](#)  
[12047957-L](#) [12059473](#) [12066261](#) [12110546](#)