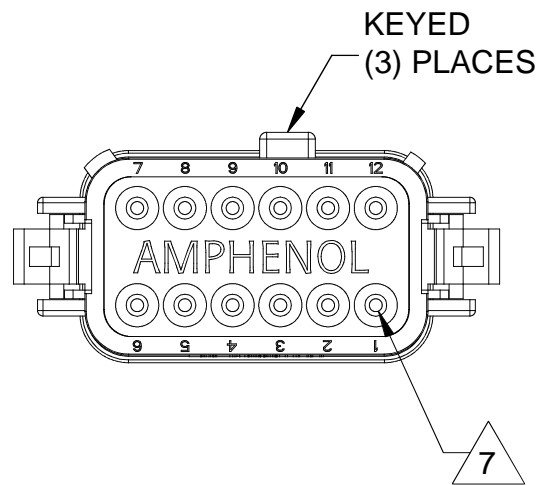
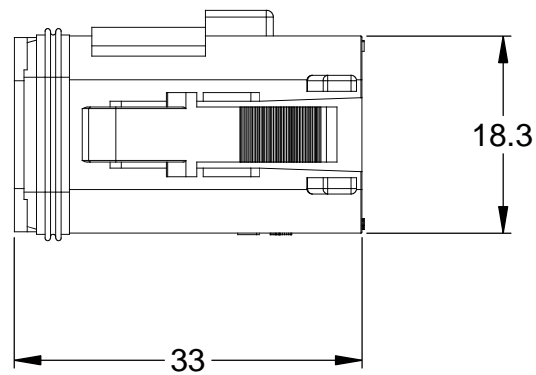
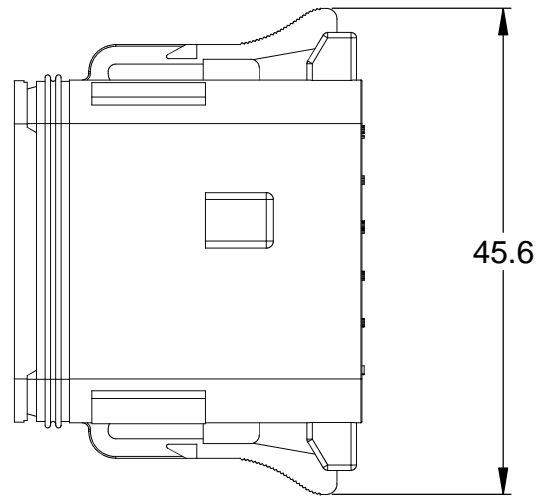
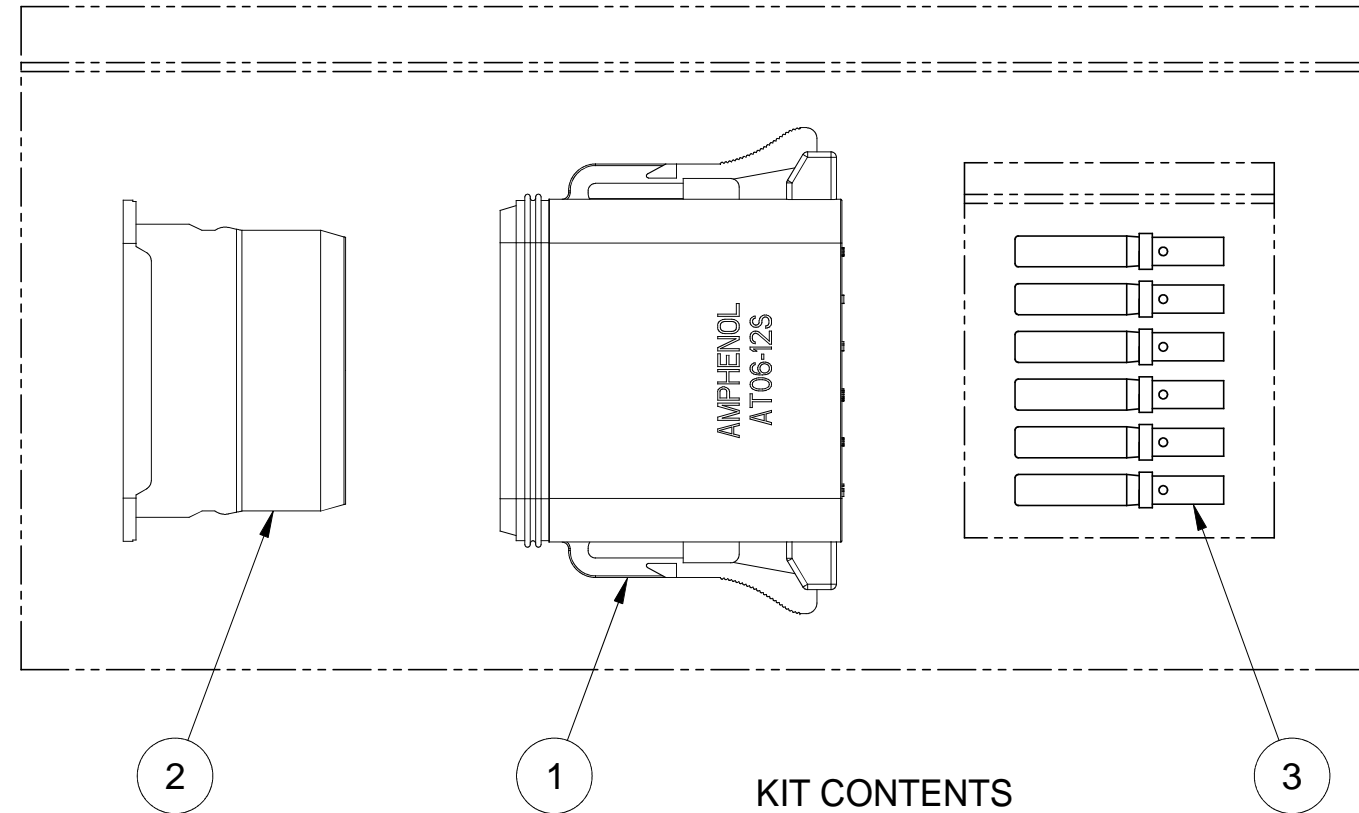


| REVISIONS |     |             |         |     |      |
|-----------|-----|-------------|---------|-----|------|
| REV       | ECO | DESCRIPTION | DATE    | BY  | APPR |
| A         | -   | RELEASE     | 19SEP13 | DRP |      |



REFERENCE DIMENSIONS - ASSEMBLED



NOTES: UNLESS OTHERWISE SPECIFIED

1. MATERIAL:

HOUSING: THERMOPLASTIC; COLOR: GREY  
 WEDGELOCK: THERMOPLASTIC; COLOR: GREEN  
 SEALS: SILICONE RUBBER  
 CONTACTS: COPPER ALLOY; NICKEL PLATED

2. SPECIFICATIONS:

- 2.1 CURRENT RATING: 13 AMPS
- 2.2 OPERATING TEMPERATURE: -55°C TO +125°C
- 2.3 DIELECTRIC WITHSTANDING VOLTAGE: LESS THAN 2 MILLIAMPS CURRENT LEAKAGE @ 1500 VOLTS AC.
- 2.4 INSULATION RESISTANCE: 1000 MEGOHMS MIN @ 25°C.
- 2.5 CONTACT MILLIVOLT DROP: 60 MILLIVOLT DROP @ 13 AMP TEST CURRENT.
- 2.6 MOISTURE RESISTANCE: IP67 ( MATED CONDITION )
- 2.7 CONNECTOR MATING CYCLE DURABILITY: 100 CYCLES

- 3. MATING PART: AT04-12PA\* RECEPTACLE (\* = MODIFICATIONS AND COLORS )
- 4. AVAILABLE HAND CRIMPER: CA-5D12
- 5. ALL COMPONENTS ARE RoHS COMPLIANT.
- 6. ALL DIMENSIONS ARE FOR REFERENCE USE ONLY.

7 WIRE RANGE OF CONTACTS INCLUDED IN KIT: 16 - 20 AWG

8 CONTACT SIZE AND REAR SEAL WIRE RANGE:

| CONTACT SIZE | MIN. INSUL. O.D.  | MAX. INSUL. O.D.  | TYPICAL WIRE RANGE |
|--------------|-------------------|-------------------|--------------------|
| 16           | 2.24 mm (.088 in) | 3.68 mm (.145 in) | 14 - 20 AWG        |

| QUANTITY | PART NUMBER    | DESCRIPTION                                  | ITEM |
|----------|----------------|--|------|
| 12       | AT62-201-16141 | CONTACT, SOCKET, SOLID, SIZE 16, 16 - 20 AWG | 3    |
| 1        | AW12S          | S-WEDGELOCK, 12 POSITION, AT SERIES          | 2    |
| 1        | AT06-12SA      | PLUG, 12 SOCKET, AT SERIES                   | 1    |

MATERIALS LIST

|  |  |  |   |   |
|--|--|--|---|---|
| UNLESS OTHERWISE SPECIFIED<br>1) All dimensions are in metric (mm).<br>2) Tolerances are as follows:<br>1 PL DEC ±0.30<br>2 PL DEC ±0.15<br>3 PL DEC ±0.08<br>Fractions ±1/64<br>Angles ±1°<br>3) Note reference = X |  | SIGNATURES<br>DRAWN: D.PARKS<br>CHECKED:<br>ENGINEER:<br>APPROVAL: | DATE<br>19SEP13   | <h1>Amphenol</h1> <p>Sine Systems - www.amphenol-sine.com<br/>         44724 Morley Drive<br/>         Clinton Township, MI 48036</p> |
| MATERIAL SPECIFICATIONS:   | CUSTOMER:  |  | KIT, AT SERIES, 12 POSITION PLUG, CONTACTS, AND WEDGELOCK |   |
| PROCESS SPECIFICATIONS:  | THIS DRAWING IS SUPPLIED FOR INFORMATION ONLY. DESIGN FEATURES, SPECIFICATIONS AND PERFORMANCE DATA SHOWN HEREON ARE THE PROPERTY OF THE AMPHENOL CORPORATION. NO RIGHTS OF REPRODUCTION ARE IMPLIED. ALL DIMENSIONS ARE SUBJECT TO NORMAL MANUFACTURING VARIATIONS. |  |   |   |
| NEXT ASSY:   | SCALE: NONE  | DWG NO: AT06-12SA-KIT01  | REVISION: A   | SHEET 1 OF 1  |

TITLE: KIT, AT SERIES, 12 POS. PLUG, CONTACTS, AND WEDGELOCK  
 DWG NO: AT06-12SA-KIT01  
 REV: A  
 SH: 1  
 OF: 1

## X-ON Electronics

Largest Supplier of Electrical and Electronic Components

*Click to view similar products for [Automotive Connectors](#) category:*

*Click to view products by [Amphenol](#) manufacturer:*

Other Similar products are found below :

[003-018-000](#) [60403001](#) [60993906-B](#) [M902-2131](#) [M902-2161](#) [72.330.1035.1](#) [73.353.4028.0](#) [F119300-B](#) [F166900](#) [F258300-B](#) [F358300-B](#)  
[F407400](#) [F444110](#) [F487000](#) [F509500B-B](#) [827153-1](#) [8N1515-32-24P](#) [9-1326729-8](#) [925474-1](#) [928905-1](#) [964562-4](#) [968782-1](#) [GT17SA-8DS-](#)  
[HU](#) [98891-1012](#) [98947-1016](#) [12004475-L](#) [12010290](#) [12010309-B](#) [12015454](#) [12020219-B](#) [12020308](#) [12041318-B](#) [12052225-L](#) [12052466](#)  
[12059125](#) [12064869](#) [12004327-B](#) [12010503-B](#) [12015308](#) [12015384](#) [12015909](#) [1-21030-1](#) [12041254](#) [12041318](#) [12047946-B](#) [12047957](#)  
[12047957-L](#) [12059473](#) [12066261](#) [12110546](#)