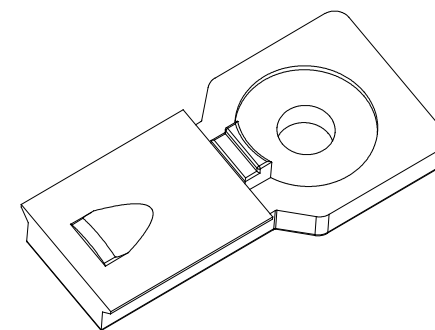
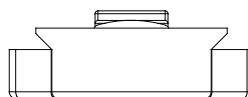
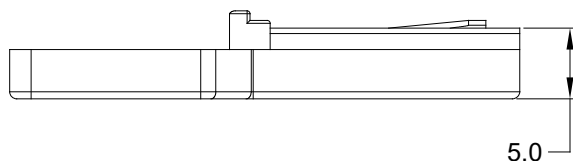
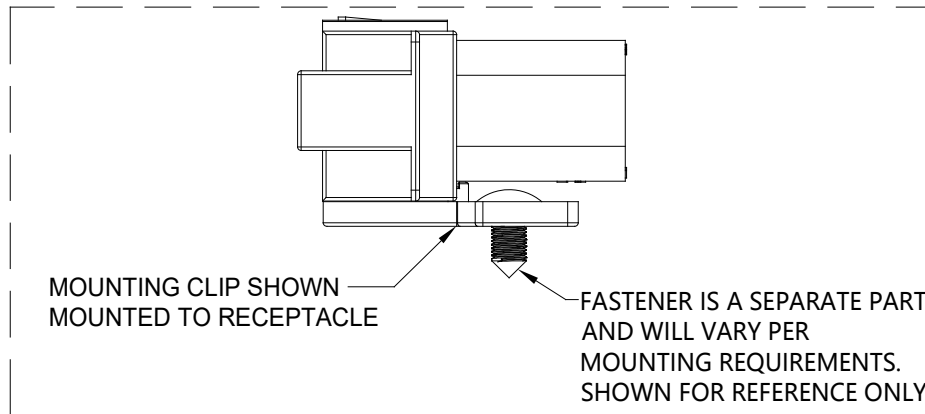
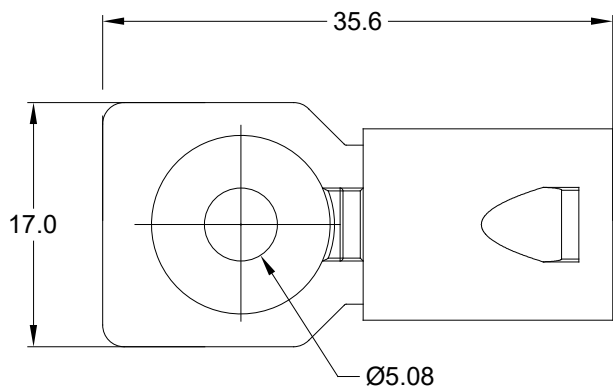


REVISIONS

REV	ECO	DESCRIPTION	DATE	BY	APPR
A1	--	RELEASE NEW PRODUCT	06/SEP/19	ROOKIE	TOMMY



NOTES: UNLESS OTHERWISE SPECIFIED

1. MATERIAL: THERMOPLASTIC; COLOR: GRAY
2. RoHS COMPLIANT
3. USE WITH CONNECTORS  
A.AT04-08P\*( \* = MODIFICATIONS AND/OR COLORS )
4. ALL DIMENSIONS ARE FOR REFERENCE USE ONLY.

AT11-027-0805		REF:1011-027-0805																			
QUANTITY	PART NUMBER	DESCRIPTION	ITEM																		
<b>MATERIALS LIST</b>																					
<p><b>UNLESS OTHERWISE SPECIFIED</b></p> <p>1) All dimensions are in metric(mm).</p> <p>2) Tolerances are as follows:</p> <table border="0"> <tr> <td>1 PL DEC ±0.30</td> <td>Fractions ±1/64</td> </tr> <tr> <td>2 PL DEC ±0.15</td> <td>Angles ±1°</td> </tr> <tr> <td>3 PL DEC ±0.08</td> <td></td> </tr> </table> <p>3) Note reference = </p>		1 PL DEC ±0.30	Fractions ±1/64	2 PL DEC ±0.15	Angles ±1°	3 PL DEC ±0.08		<table border="1"> <thead> <tr> <th>SIGNATURES</th> <th>DATE</th> </tr> </thead> <tbody> <tr> <td>DRAWN: ROOKIE</td> <td>06/SEP/19</td> </tr> <tr> <td>CHECKED: ORION</td> <td>06/SEP/19</td> </tr> <tr> <td>ENGINEER:</td> <td></td> </tr> <tr> <td>APPROVAL: TOMMY</td> <td>06/SEP/19</td> </tr> <tr> <td>CUSTOMER:</td> <td></td> </tr> </tbody> </table>		SIGNATURES	DATE	DRAWN: ROOKIE	06/SEP/19	CHECKED: ORION	06/SEP/19	ENGINEER:		APPROVAL: TOMMY	06/SEP/19	CUSTOMER:	
1 PL DEC ±0.30	Fractions ±1/64																				
2 PL DEC ±0.15	Angles ±1°																				
3 PL DEC ±0.08																					
SIGNATURES	DATE																				
DRAWN: ROOKIE	06/SEP/19																				
CHECKED: ORION	06/SEP/19																				
ENGINEER:																					
APPROVAL: TOMMY	06/SEP/19																				
CUSTOMER:																					
MATERIAL SPECIFICATIONS:		<p style="text-align: center;"><b>Amphenol</b></p> <p style="text-align: center;">Sine Systems - www.amphenol-sine.com 44724 Morley Drive Clinton Township, MI 48036</p> <p style="text-align: center;"><b>MOUNTING CLIP, AT 8 POS RECEPTACLE PLASTIC, GRAY</b></p>																			
PROCESS SPECIFICATIONS:																					
NEXT ASSY:																					
		<table border="1"> <tr> <td>SIZE</td> <td>TYPE</td> <td>DWG NO:</td> <td>REVISION</td> </tr> <tr> <td><b>A</b></td> <td><b>C-</b></td> <td>AT11-027-0805</td> <td><b>A1</b></td> </tr> </table>	SIZE	TYPE	DWG NO:	REVISION	<b>A</b>	<b>C-</b>	AT11-027-0805	<b>A1</b>											
SIZE	TYPE	DWG NO:	REVISION																		
<b>A</b>	<b>C-</b>	AT11-027-0805	<b>A1</b>																		
		SCALE: NONE	SHEET 1 OF 1																		

## X-ON Electronics

Largest Supplier of Electrical and Electronic Components

*Click to view similar products for [Heavy Duty Power Connectors](#) category:*

*Click to view products by [Amphenol](#) manufacturer:*

Other Similar products are found below :

[647757-1](#) [6643411-1](#) [6646058-2](#) [6646137-1](#) [6646138-1](#) [6646479-1](#) [6646608-1](#) [6646786-1](#) [6646940-1](#) [6651091-1](#) [6651525-1](#) [6651529-1](#)  
[6651788-1](#) [696475-1](#) [73000005059](#) [73000005642](#) [765-15-0080A](#) [765-16-0080B](#) [829992-1](#) [902-77-02113](#) [129-1J](#) [AN0024023](#) [E6374G1](#)  
[e6389g2](#) [157-43GW8](#) [MS3117-14AC](#) [1643543-1](#) [1650540-1](#) [1651811-2](#) [1766260-1](#) [1766282-1](#) [1766966-1](#) [1791340000](#) [NLDFT-3-BL-L-](#)  
[S120-M40A](#) [NLDFT-N-W-L-C240-M40B](#) [NLS-2-R-C240-M40B](#) [NLS-N-W-C240-M40B](#) [NPS-3-BL-T6](#) [1986615-1](#) [2-1589900-8](#) [2199314-1](#)  
[KA8102](#) [9300480317](#) [SBS50BRN#6](#) [29131](#) [29652](#) [1646905-1](#) [1648320-1](#) [1648582-1](#) [1650195-2](#)