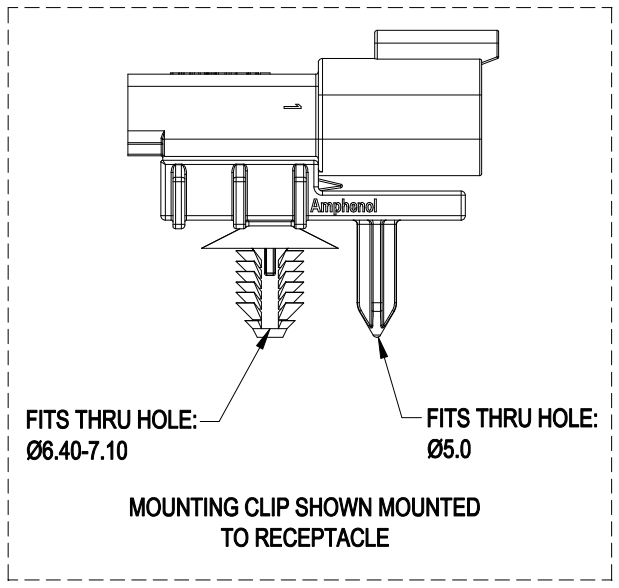
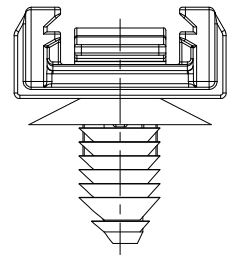
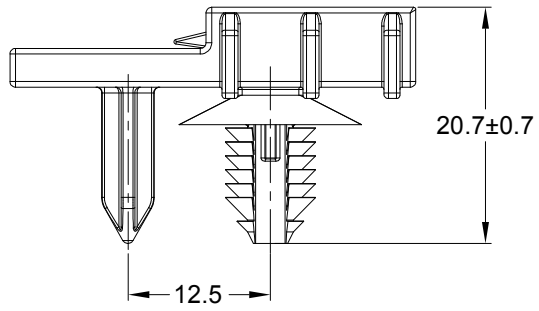
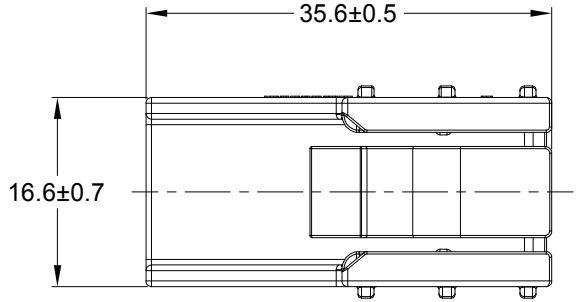


REVISIONS					
REV	ECO	DESCRIPTION	DATE	BY	APPR
A1	-	NEW RELEASE	14/MAR/18	ROOKIE	TOMMY
A2	-	UPDATE DRAWING	13/JAN/20	ROOKIE	TOMMY



NOTES: UNLESS OTHERWISE SPECIFIED

- MATERIAL: THERMOPLASTIC; COLOR: BLACK
- RoHS COMPLIANT
- USE WITH CONNECTORS
  - A.AT04-2P\*/3P\*/4P\*/6P\*/12P\*
  - B.ATM04-2P\*~12P\*
  - C.ATP04-2P\*/4P\*
  - D.ATV04-\*
  - E.ATHD04-\*

(\* = MODIFICATIONS AND/OR COLORS)
- ALL DIMENSIONS ARE FOR REFERENCE USE ONLY.
- RECOMMENDED PANEL THICKNESS: 0.70 - 5.10.
- CONNECTOR REMOVABLE FORCE: 50N Min.

AT11-310-0205		REF:1011-310-0205													
QUANTITY	PART NUMBER	DESCRIPTION	ITEM												
<b>MATERIALS LIST</b>															
UNLESS OTHERWISE SPECIFIED 1) All dimensions are in metric(mm). 2) Tolerances are as follows: 1 PL DEC ±0.30    Fractions ±1/64 2 PL DEC ±0.15    Angles ±1° 3 PL DEC ±0.08 3) Note reference =		<table border="1"> <thead> <tr> <th>SIGNATURES</th> <th>DATE</th> </tr> </thead> <tbody> <tr> <td>DRAWN: ROOKIE</td> <td>13/JAN/20</td> </tr> <tr> <td>CHECKED: ORION</td> <td>13/JAN/20</td> </tr> <tr> <td>ENGINEER:</td> <td></td> </tr> <tr> <td>APPROVAL: TOMMY</td> <td>13/JAN/20</td> </tr> <tr> <td>CUSTOMER:</td> <td></td> </tr> </tbody> </table>		SIGNATURES	DATE	DRAWN: ROOKIE	13/JAN/20	CHECKED: ORION	13/JAN/20	ENGINEER:		APPROVAL: TOMMY	13/JAN/20	CUSTOMER:	
SIGNATURES	DATE														
DRAWN: ROOKIE	13/JAN/20														
CHECKED: ORION	13/JAN/20														
ENGINEER:															
APPROVAL: TOMMY	13/JAN/20														
CUSTOMER:															
MATERIAL SPECIFICATIONS:		<h1 style="margin: 0;">Amphenol</h1> <p style="margin: 0;">Sine Systems - www.amphenol-sine.com 44724 Morley Drive Clinton Township, MI 48036</p>													
PROCESS SPECIFICATIONS:															
NEXT ASSY:		<b>MOUNTING CLIP,AT/ATM/ATP/ATV/ATHD,BLK FIR TREE STUD MOUNT</b>													
		<table border="1"> <tr> <td>SIZE</td> <td>TYPE</td> <td>DWG NO:</td> <td>REVISION</td> </tr> <tr> <td>A</td> <td>C-</td> <td>AT11-310-0205</td> <td>A2</td> </tr> </table>	SIZE	TYPE	DWG NO:	REVISION	A	C-	AT11-310-0205	A2					
SIZE	TYPE	DWG NO:	REVISION												
A	C-	AT11-310-0205	A2												
		SCALE: NONE	SHEET 1 OF 1												

## X-ON Electronics

Largest Supplier of Electrical and Electronic Components

*Click to view similar products for [Heavy Duty Power Connectors](#) category:*

*Click to view products by [Amphenol](#) manufacturer:*

Other Similar products are found below :

[647757-1](#) [6643411-1](#) [6646058-2](#) [6646137-1](#) [6646138-1](#) [6646479-1](#) [6646608-1](#) [6646786-1](#) [6646940-1](#) [6651091-1](#) [6651525-1](#) [6651529-1](#)  
[6651788-1](#) [696475-1](#) [73000005059](#) [73000005642](#) [765-15-0080A](#) [765-16-0080B](#) [829992-1](#) [902-77-02113](#) [129-1J](#) [AN0024023](#) [E6374G1](#)  
[e6389g2](#) [157-43GW8](#) [MS3117-14AC](#) [1643543-1](#) [1650540-1](#) [1651811-2](#) [1766260-1](#) [1766282-1](#) [1766966-1](#) [1791340000](#) [NLDFT-3-BL-L-](#)  
[S120-M40A](#) [NLDFT-N-W-L-C240-M40B](#) [NLS-2-R-C240-M40B](#) [NLS-N-W-C240-M40B](#) [NPS-3-BL-T6](#) [1986615-1](#) [2-1589900-8](#) [2199314-1](#)  
[KA8102](#) [9300480317](#) [SBS50BRN#6](#) [29131](#) [29652](#) [1646905-1](#) [1648320-1](#) [1648582-1](#) [1650195-2](#)