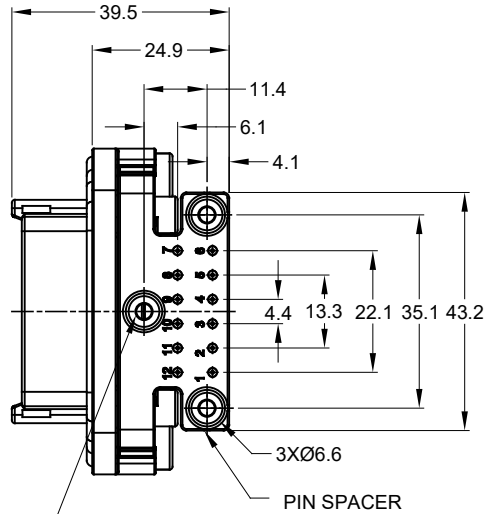
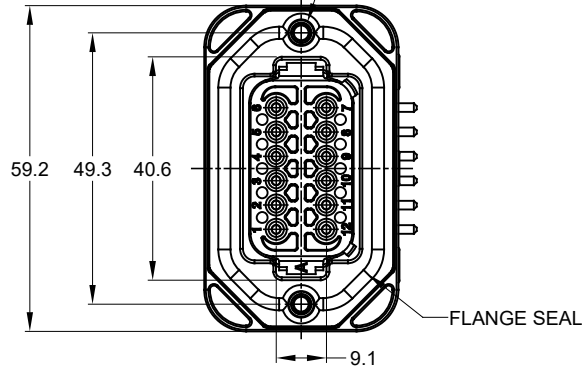


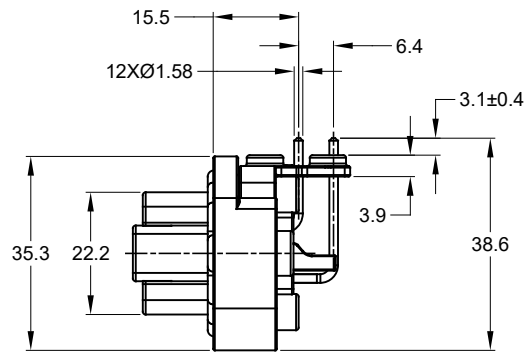
2xØ3.10±0.12x11.18 DP
 RECOMMENDED SCREW: 6-19 [M3.63 x 1.34]
 THREAD-FORMING SCREW,
 TORQUE: 11-15 IN-LB [1.24-1.70 NM]



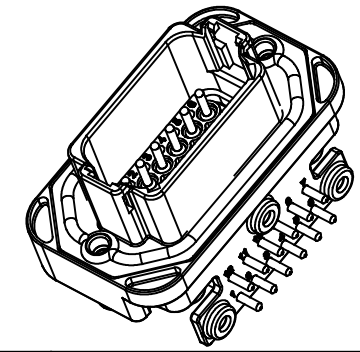
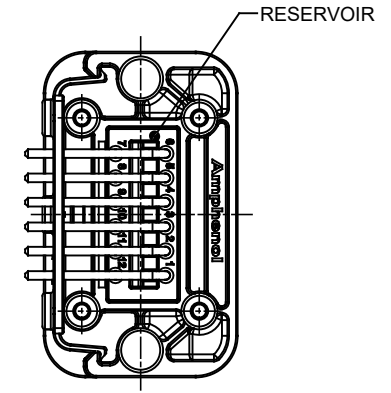
3xØ2.79±0.12
 RECOMMENDED SCREW: 4-20 [M3.12 x 1.27]
 THREAD-FORMING SCREW,
 TORQUE: 6-10 IN-LB [0.68-1.13 NM]

NOTES: UNLESS OTHERWISE SPECIFIED

1. MATERIAL:
 HOUSING: THERMOPLASTIC
 SEAL: SILICONE RUBBER
 CONTACT: COPPER ALLOY
2. MODIFICATIONS: FLANGE, PCB MOUNT, RIGHT ANGLE
3. SPECIFICATIONS:
 3.1 CURRENT RATING: 13 AMPS
 3.2 OPERATING TEMPERATURE: -55°C TO +125°C
 3.3 DIELECTRIC WITHSTANDING VOLTAGE: LESS THAN 2 MILLIAMPS CURRENT LEAKAGE @ 1500 VOLTS AC.
 3.4 INSULATION RESISTANCE: 1000 MEGOHMS MIN @ 25°C.
 3.5 MOISTURE RESISTANCE: IP67 (MATED CONDITION)
 3.6 MATING CYCLE DURABILITY: 100 CYCLES
 3.7 RoHS COMPLIANT
4. MATING PART: AT06-12S* PLUG
 (* = MODIFICATIONS)
5. ALL DIMENSIONS ARE FOR REFERENCE USE ONLY.
6. POTTED CONNECTORS SPECIFIED FOR UP TO 5 P.S.I. APPLICATIONS.



| REVISIONS | | | | | |
|-----------|-----|---------------------|---------|-------|-------|
| REV | ECO | DESCRIPTION | DATE | BY | APPR |
| A1 | -- | RELEASE NEW DRAWING | 19JUN18 | JONY | TOMMY |
| A2 | -- | REVISED DRAWING | 10JUL20 | JHEAD | DH |

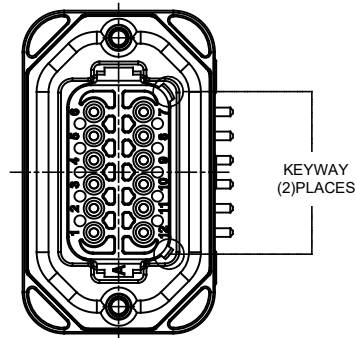


TITLE: PCB MOUNT RECEPTACLE, 12PIN, RA FLANGE, AT SERIES
 DWG NO: AT13-12PX-BMXX
 REV: A2
 SHEET 1 OF 3
 OF: 3

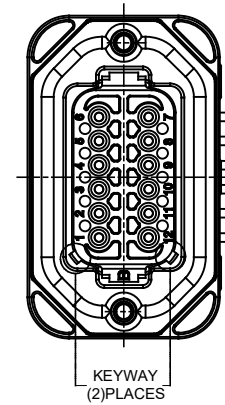
| AT13-12PX-BMXX | | REF: DT13-12PA, DT13-12PB, DT13-12PC, DT13-12PD, DT13-12PA-G003, DT13-12PB-G003, DT13-12PC-G003, DT13-12PD-G003 | | | | | | | | | | | | | | | | | | | | | | | | | | | | | | | | | | | | | | | | | |
|---|--|---|--|------------------------|--------------|----------------|--|--|----------------------------|------------|------|----------|--|---|-----------------|---------|--|--|---------------------|-------------------|---------|--|-----------|--|--------------------------|---------------------|---------|---|--|-------------------------|-----------|--|------------|--|--|------------|------------------------|--------------|--|-------------|--|--------------|--|
| PART NUMBER | | DESCRIPTION | | ITEM | | | | | | | | | | | | | | | | | | | | | | | | | | | | | | | | | | | | | | | |
| <table border="1"> <thead> <tr> <th>QUANTITY</th> <th colspan="3">MATERIALS LIST</th> </tr> <tr> <th>UNLESS OTHERWISE SPECIFIED</th> <th>SIGNATURES</th> <th>DATE</th> <th colspan="2">Amphenol</th> </tr> </thead> <tbody> <tr> <td>1) All dimensions are in metric (mm). 2) Tolerances are as follows: 1 PL DEC ±0.30 Fractions ±1/64 2 PL DEC ±0.15 Angles ±1° 3 PL DEC ±0.08</td> <td>DRAWN: JONY XIE</td> <td>19JUN18</td> <td colspan="2" rowspan="3">Sine Systems - www.amphenol-sine.com 44724 Morley Drive Clinton Township, MI 48036</td> </tr> <tr> <td>3) Note reference = </td> <td>CHECKED: ORION LI</td> <td>19JUN18</td> </tr> <tr> <td></td> <td>ENGINEER:</td> <td></td> </tr> <tr> <td>MATERIAL SPECIFICATIONS:</td> <td>APPROVAL: TOMMY XIE</td> <td>19JUN18</td> <td colspan="2" rowspan="2">BOARDLOCK PCB MOUNT RECEPTACLE, 12 PIN, RA FLANGE, AT SERIES</td> </tr> <tr> <td>PROCESS SPECIFICATIONS:</td> <td>CUSTOMER:</td> <td></td> </tr> <tr> <td>NEXT ASSY:</td> <td colspan="2">THIS DRAWING IS SUPPLIED FOR INFORMATION ONLY. DESIGN FEATURES, SPECIFICATIONS AND PERFORMANCE DATA SHOWN HEREON ARE THE PROPERTY OF THE AMPHENOL CORPORATION. NO RIGHTS OF REPRODUCTION ARE IMPLIED. ALL DIMENSIONS ARE SUBJECT TO NORMAL MANUFACTURING VARIATIONS.</td> <td>SIZE: B C-</td> <td>DWG NO: AT13-12PX-BMXX</td> <td>REVISION: A2</td> </tr> <tr> <td></td> <td colspan="2">SCALE: NONE</td> <td colspan="2">SHEET 1 OF 3</td> </tr> </tbody> </table> | | | | | QUANTITY | MATERIALS LIST | | | UNLESS OTHERWISE SPECIFIED | SIGNATURES | DATE | Amphenol | | 1) All dimensions are in metric (mm). 2) Tolerances are as follows: 1 PL DEC ±0.30 Fractions ±1/64 2 PL DEC ±0.15 Angles ±1° 3 PL DEC ±0.08 | DRAWN: JONY XIE | 19JUN18 | Sine Systems - www.amphenol-sine.com 44724 Morley Drive Clinton Township, MI 48036 | | 3) Note reference = | CHECKED: ORION LI | 19JUN18 | | ENGINEER: | | MATERIAL SPECIFICATIONS: | APPROVAL: TOMMY XIE | 19JUN18 | BOARDLOCK PCB MOUNT RECEPTACLE, 12 PIN, RA FLANGE, AT SERIES | | PROCESS SPECIFICATIONS: | CUSTOMER: | | NEXT ASSY: | THIS DRAWING IS SUPPLIED FOR INFORMATION ONLY. DESIGN FEATURES, SPECIFICATIONS AND PERFORMANCE DATA SHOWN HEREON ARE THE PROPERTY OF THE AMPHENOL CORPORATION. NO RIGHTS OF REPRODUCTION ARE IMPLIED. ALL DIMENSIONS ARE SUBJECT TO NORMAL MANUFACTURING VARIATIONS. | | SIZE: B C- | DWG NO: AT13-12PX-BMXX | REVISION: A2 | | SCALE: NONE | | SHEET 1 OF 3 | |
| QUANTITY | MATERIALS LIST | | | | | | | | | | | | | | | | | | | | | | | | | | | | | | | | | | | | | | | | | | |
| UNLESS OTHERWISE SPECIFIED | SIGNATURES | DATE | Amphenol | | | | | | | | | | | | | | | | | | | | | | | | | | | | | | | | | | | | | | | | |
| 1) All dimensions are in metric (mm). 2) Tolerances are as follows: 1 PL DEC ±0.30 Fractions ±1/64 2 PL DEC ±0.15 Angles ±1° 3 PL DEC ±0.08 | DRAWN: JONY XIE | 19JUN18 | Sine Systems - www.amphenol-sine.com 44724 Morley Drive Clinton Township, MI 48036 | | | | | | | | | | | | | | | | | | | | | | | | | | | | | | | | | | | | | | | | |
| 3) Note reference = | CHECKED: ORION LI | 19JUN18 | | | | | | | | | | | | | | | | | | | | | | | | | | | | | | | | | | | | | | | | | |
| | ENGINEER: | | | | | | | | | | | | | | | | | | | | | | | | | | | | | | | | | | | | | | | | | | |
| MATERIAL SPECIFICATIONS: | APPROVAL: TOMMY XIE | 19JUN18 | BOARDLOCK PCB MOUNT RECEPTACLE, 12 PIN, RA FLANGE, AT SERIES | | | | | | | | | | | | | | | | | | | | | | | | | | | | | | | | | | | | | | | | |
| PROCESS SPECIFICATIONS: | CUSTOMER: | | | | | | | | | | | | | | | | | | | | | | | | | | | | | | | | | | | | | | | | | | |
| NEXT ASSY: | THIS DRAWING IS SUPPLIED FOR INFORMATION ONLY. DESIGN FEATURES, SPECIFICATIONS AND PERFORMANCE DATA SHOWN HEREON ARE THE PROPERTY OF THE AMPHENOL CORPORATION. NO RIGHTS OF REPRODUCTION ARE IMPLIED. ALL DIMENSIONS ARE SUBJECT TO NORMAL MANUFACTURING VARIATIONS. | | SIZE: B C- | DWG NO: AT13-12PX-BMXX | REVISION: A2 | | | | | | | | | | | | | | | | | | | | | | | | | | | | | | | | | | | | | | |
| | SCALE: NONE | | SHEET 1 OF 3 | | | | | | | | | | | | | | | | | | | | | | | | | | | | | | | | | | | | | | | | |

| REVISIONS | | | | | |
|-----------|-----|---------------------|---------|-------|-------|
| REV | ECO | DESCRIPTION | DATE | BY | APPR |
| A1 | - | RELEASE NEW DRAWING | 19JUN18 | JONY | TOMMY |
| A2 | - | REVISED DRAWING | 10JUL20 | JHEAD | DH |

P/N AT13-12PA-BMXX
KEY-A CONFIGURATION
STANDARD COLOR: GREY



P/N AT13-12PB-BMXX
KEY-B CONFIGURATION
STANDARD COLOR: BLACK



| AT13-12PA-BMXX VARIANTS | | |
|-------------------------|-----------------------------|----------------|
| CONTACT PLATING | POTTING OR NOT IN RESERVOIR | PART NUMBER |
| GOLD | NO POTTING | AT13-12PA-BM01 |
| GOLD | POTTING | AT13-12PA-BM02 |
| TIN | NO POTTING | AT13-12PA-BM03 |
| TIN | POTTING | AT13-12PA-BM04 |

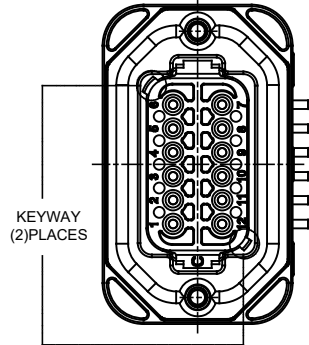
| AT13-12PB-BMXX VARIANTS | | |
|-------------------------|-----------------------------|----------------|
| CONTACT PLATING | POTTING OR NOT IN RESERVOIR | PART NUMBER |
| GOLD | NO POTTING | AT13-12PB-BM01 |
| GOLD | POTTING | AT13-12PB-BM02 |
| TIN | NO POTTING | AT13-12PB-BM03 |
| TIN | POTTING | AT13-12PB-BM04 |

| AT13-12PX-BMXX | | DESCRIPTION | | ITEM |
|---------------------------------------|-------------|--|------|----------------|
| QUANTITY | PART NUMBER | MATERIALS LIST | | |
| UNLESS OTHERWISE SPECIFIED: | | SIGNATURES | | DATE |
| 1) All dimensions are in metric (mm). | | DRAWN: JONY XIE | | 19JUN18 |
| 2) Tolerances are as follows: | | CHECKED: ORION LI | | 19JUN18 |
| 1 PL DEC ±0.30 | | ENGINEER: | | |
| 2 PL DEC ±0.15 | | APPROVAL: TOMMY XIE | | 19JUN18 |
| 3 PL DEC ±0.08 | | CUSTOMER: | | |
| 3) Note reference = | | THIS DRAWING IS SUPPLIED FOR INFORMATION ONLY. DESIGN FEATURES, SPECIFICATIONS AND PERFORMANCE DATA SHOWN HEREON ARE THE PROPERTY OF THE AMPHENOL CORPORATION. NO RIGHTS OF REPRODUCTION ARE IMPLIED. ALL DIMENSIONS ARE SUBJECT TO NORMAL MANUFACTURING VARIATIONS. | | |
| MATERIAL SPECIFICATIONS: | | CUSTOMER: | | |
| PROCESS SPECIFICATIONS: | | CUSTOMER: | | |
| NEXT ASSY: | | CUSTOMER: | | |
| | | SIZE | TYPE | DWG NO. |
| | | B | C- | AT13-12PX-BMXX |
| | | SCALE: NONE | | REVISION |
| | | | | A2 |
| | | SHEET 2 OF 3 | | |

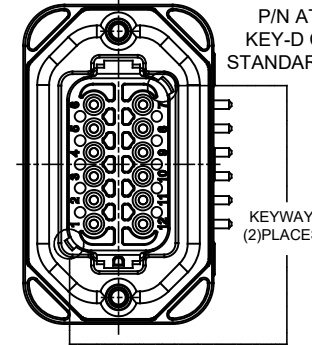
TITLE: PCB MOUNT RECEPTACLE, 12PIN, RA FLANGE, AT SERIES
DWG NO: AT13-12PX-BMXX
REV: A2
SH: 2
OF: 3

| REVISIONS | | | | | |
|-----------|-----|---------------------|---------|-------|-------|
| REV | ECO | DESCRIPTION | DATE | BY | APPR |
| A1 | -- | RELEASE NEW DRAWING | 19JUN18 | JONY | TOMMY |
| A2 | -- | REVISED DRAWING | 10JUL20 | JHEAD | DH |

P/N AT13-12PC-BMXX
KEY-C CONFIGURATION
STANDARD COLOR: GREEN

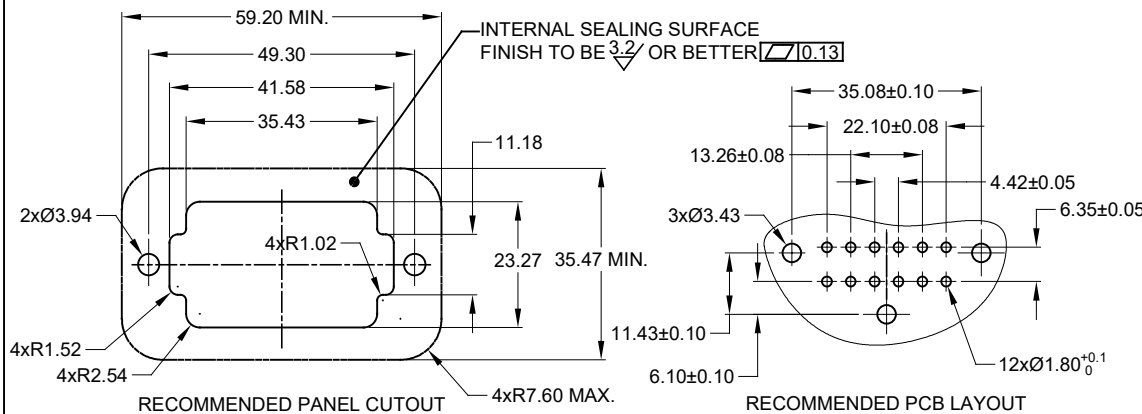


P/N AT13-12PD-BMXX
KEY-D CONFIGURATION
STANDARD COLOR: BROWN



| AT13-12PC-BMXX VARIANTS | | |
|-------------------------|-----------------------------|----------------|
| CONTACT PLATING | POTTING OR NOT IN RESERVOIR | PART NUMBER |
| GOLD | NO POTTING | AT13-12PC-BM01 |
| GOLD | POTTING | AT13-12PC-BM02 |
| TIN | NO POTTING | AT13-12PC-BM03 |
| TIN | POTTING | AT13-12PC-BM04 |

| AT13-12PD-BMXX VARIANTS | | |
|-------------------------|-----------------------------|----------------|
| CONTACT PLATING | POTTING OR NOT IN RESERVOIR | PART NUMBER |
| GOLD | NO POTTING | AT13-12PD-BM01 |
| GOLD | POTTING | AT13-12PD-BM02 |
| TIN | NO POTTING | AT13-12PD-BM03 |
| TIN | POTTING | AT13-12PD-BM04 |



| AT13-12PX-BMXX | | DESCRIPTION | | ITEM |
|--|-------------|--|----------------------------|---------------------|
| QUANTITY | PART NUMBER | MATERIALS LIST | | |
| UNLESS OTHERWISE SPECIFIED: 1) All dimensions are in metric(mm) 2) Tolerances are as follows: 1 PL DEC ±0.30 Fractions ±1/64 2 PL DEC ±0.15 Angles ±1° 3 PL DEC ±0.08 3) Note reference = Δ | | SIGNATURES | DATE | |
| MATERIAL SPECIFICATIONS: | | DRAWN: JONY XIE | 19JUN18 | |
| PROCESS SPECIFICATIONS: | | CHECKED: ORION LI | 19JUN18 | |
| NEXT ASSY: | | ENGINEER: TOMMY XIE | 19JUN18 | |
| | | CUSTOMER: | | |
| | | <p>Amphenol</p> <p>Sine Systems - www.amphenol-sine.com 44724 Morley Drive Clinton Township, MI 48036</p> | | |
| | | <p>BOARDLOCK, PCB MOUNT RECEPTACLE, 12 PIN, RA FLANGE, AT SERIES</p> | | |
| | | SIZE: B | TYPE: C | REVISION: A2 |
| | | DWG NO: AT13-12PX-BMXX | | |
| | | SCALE: NONE | SHEET 3 OF 3 | |

TITLE: PCB MOUNT RECEPTACLE (2PIN) RA FLANGE AT SERIES
DWG NO: AT13-12PX-BMXX
REV: A2
SH: 3
OF: 3

X-ON Electronics

Largest Supplier of Electrical and Electronic Components

Click to view similar products for [Automotive Connectors](#) category:

Click to view products by [Amphenol](#) manufacturer:

Other Similar products are found below :

[003-018-000](#) [60403001](#) [60993906-B](#) [M902-2131](#) [M902-2161](#) [72.330.1035.1](#) [73.353.4028.0](#) [F119300-B](#) [F166900](#) [F258300-B](#) [F358300-B](#)
[F407400](#) [F444110](#) [F487000](#) [F509500B-B](#) [827153-1](#) [8N1515-32-24P](#) [9-1326729-8](#) [925474-1](#) [928905-1](#) [964562-4](#) [968782-1](#) [GT17SA-8DS-](#)
[HU](#) [98891-1012](#) [98947-1016](#) [12004475-L](#) [12010290](#) [12010309-B](#) [12015454](#) [12020219-B](#) [12020308](#) [12041318-B](#) [12052225-L](#) [12052466](#)
[12059125](#) [12064869](#) [12004327-B](#) [12010503-B](#) [12015308](#) [12015384](#) [12015909](#) [1-21030-1](#) [12041254](#) [12041318](#) [12047946-B](#) [12047957](#)
[12047957-L](#) [12059473](#) [12066261](#) [12110546](#)