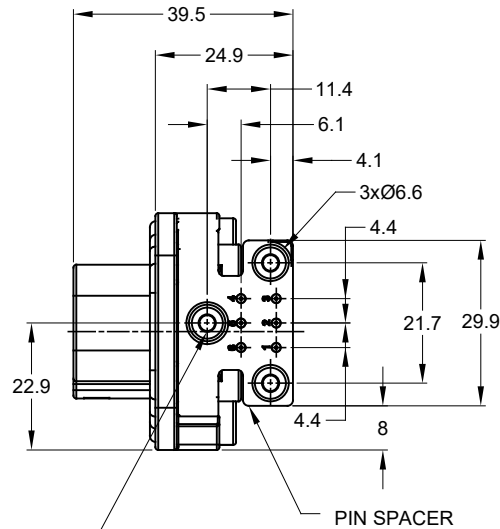
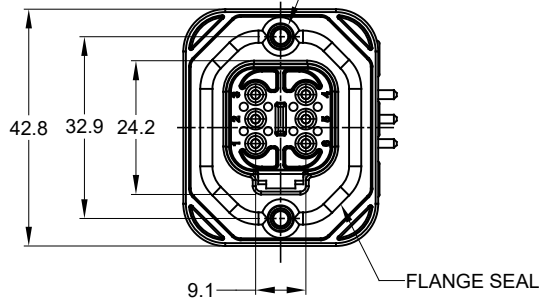
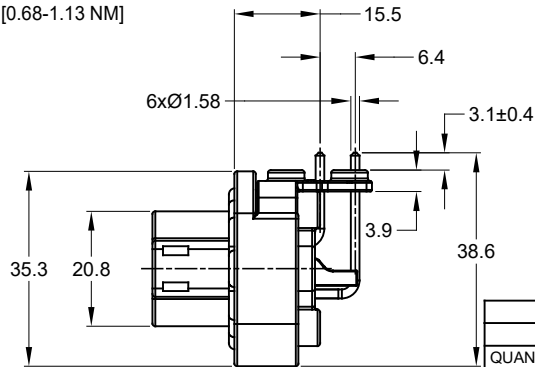


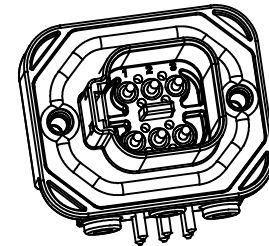
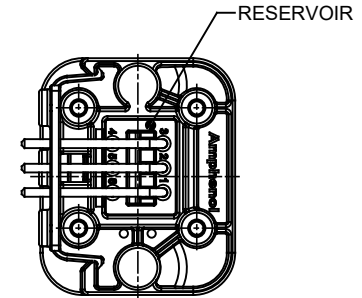
2xØ3.10±0.12x11.18 DP  
 RECOMMENDED SCREW: 6-19 [M3.63 x 1.34]  
 THREAD-FORMING SCREW,  
 TORQUE: 11-15 IN-LB [1.24-1.70 NM]



3xØ2.79±0.12  
 RECOMMENDED SCREW: 4-20 [M3.12 x 1.27]  
 THREAD-FORMING SCREW,  
 TORQUE: 6-10 IN-LB [0.68-1.13 NM]



REVISIONS					
REV	ECO	DESCRIPTION	DATE	BY	APPR
A1	-	RELEASE NEW DRAWING	2MAR18	JONY	TOMMY
A2	-	REVISED DRAWING	10JUL20	JHEAD	DH



NOTES: UNLESS OTHERWISE SPECIFIED

- MATERIAL:  
 HOUSING: THERMOPLASTIC  
 SEAL: SILICONE RUBBER  
 CONTACT: COPPER ALLOY
- MODIFICATIONS: FLANGE; PCB MOUNT, RIGHT ANGLE
- SPECIFICATIONS:  
 3.1 CURRENT RATING: 13 AMPS  
 3.2 OPERATING TEMPERATURE: -55°C TO +125°C  
 3.3 DIELECTRIC WITHSTANDING VOLTAGE: LESS THAN 2 MILLIAMPS CURRENT LEAKAGE @ 1500 VOLTS AC.  
 3.4 INSULATION RESISTANCE: 1000 MEGOHMS MIN @ 25°C.  
 3.5 MOISTURE RESISTANCE: IP67 ( MATED CONDITION )  
 3.6 MATING CYCLE DURABILITY: 100 CYCLES  
 3.7 RoHS COMPLIANT
- MATING PART: AT06-6S\* PLUG  
 (\* = MODIFICATIONS)
- ALL DIMENSIONS ARE FOR REFERENCE USE ONLY.
- POTTED CONNECTORS SPECIFIED FOR UP TO 5 P.S.I. APPLICATIONS.

AT13-6PX-BMXX	REF: DT13-6P, DT13-6P-G003
PART NUMBER	DESCRIPTION
ITEM	

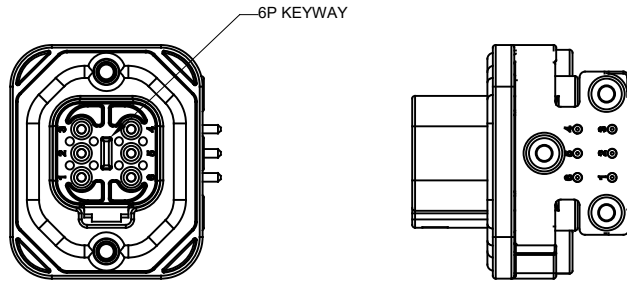
QUANTITY		MATERIALS LIST	
UNLESS OTHERWISE SPECIFIED:		SIGNATURES	
1) All dimensions are in metric (mm).		DATE	
2) Tolerances are as follows:		DRAWN: JONY XIE 2MAR18	
1 PL DEC ±0.30		CHECKED: ORION LI 2MAR18	
2 PL DEC ±0.15		ENGINEER:	
3 PL DEC ±0.08		APPROVAL: TOMMY XIE 2MAR18	
3) Note reference =		CUSTOMER:	
MATERIAL SPECIFICATIONS:		THIS DRAWING IS SUPPLIED FOR INFORMATION ONLY. DESIGN FEATURES, SPECIFICATIONS AND PERFORMANCE DATA SHOWN HEREON ARE THE PROPERTY OF THE AMPHENOL CORPORATION. NO RIGHTS OF REPRODUCTION ARE IMPLIED. ALL DIMENSIONS ARE SUBJECT TO NORMAL MANUFACTURING VARIATIONS.	
PROCESS SPECIFICATIONS:		SIZE	TYPE
NEXT ASSY:		B	C-
		SCALE	NONE
		DWG NO:	AT13-6PX-BMXX
		REVISION	A2
		SHEET	1 OF 2

**Amphenol**  
 Sine Systems - www.amphenol-sine.com  
 44724 Morley Drive  
 Clinton Township, MI 48036

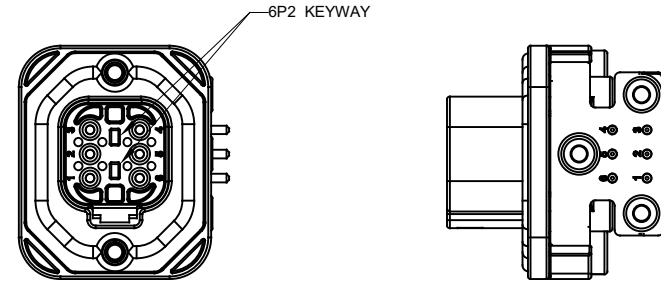
BOARDLOCK PCB MOUNT RECEPTACLE,  
 6 PIN, RA FLANGE, AT SERIES

TITLE: PCB MOUNT RECEPTACLE PIN RA FLANGE AT SERIES  
 DWG NO.: AT13-6PX-BMXX  
 REV: A2  
 SH: 1  
 OF: 2

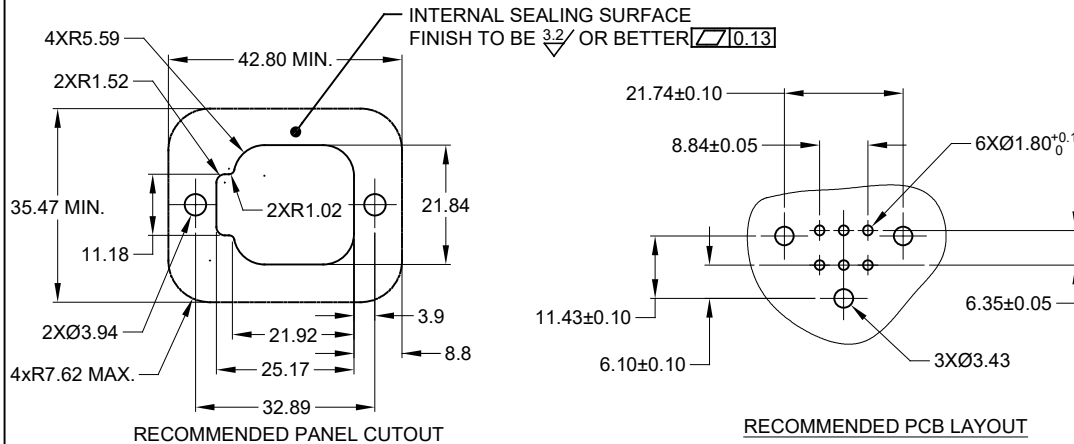
REVISIONS					
REV	ECO	DESCRIPTION	DATE	BY	APPR
A1	--	RELEASE NEW DRAWING	2MAR18	JONY	TOMMY
A2	--	REVISED DRAWING	10JUL20	JHEAD	DH



AT13-6P-BMXX VARIANTS		
CONTACT PLATING	POTTING OR NOT IN RESERVOIR	PART NUMBER
GOLD	NO POTTING	AT13-6P-BM01GRY
GOLD	POTTING	AT13-6P-BM02GRY
TIN	NO POTTING	AT13-6P-BM03GRY
TIN	POTTING	AT13-6P-BM04GRY



AT13-6P2-BMXX VARIANTS		
CONTACT PLATING	POTTING OR NOT IN RESERVOIR	PART NUMBER
GOLD	NO POTTING	AT13-6P2-BM01BLU
GOLD	POTTING	AT13-6P2-BM02BLU
TIN	NO POTTING	AT13-6P2-BM03BLU
TIN	POTTING	AT13-6P2-BM04BLU



AT13-6PX-BMXX																														
QUANTITY	PART NUMBER	DESCRIPTION		ITEM																										
<table border="1"> <thead> <tr> <th colspan="3">MATERIALS LIST</th> </tr> <tr> <th>SIGNATURES</th> <th>DATE</th> <th></th> </tr> </thead> <tbody> <tr> <td>DRAWN: JONY XIE</td> <td>2MAR18</td> <td rowspan="3"> <b>Amphenol</b>            Sine Systems - www.amphenol-sine.com            44724 Morley Drive            Clinton Township, MI 48036         </td> </tr> <tr> <td>CHECKED: ORION LI</td> <td>2MAR18</td> </tr> <tr> <td>ENGINEER:</td> <td></td> </tr> <tr> <td>APPROVAL: TOMMY XIE</td> <td>2MAR18</td> <td></td> </tr> <tr> <td colspan="2">MATERIAL SPECIFICATIONS:</td> <td>CUSTOMER:</td> </tr> <tr> <td colspan="2">PROCESS SPECIFICATIONS:</td> <td>           THIS DRAWING IS SUPPLIED FOR INFORMATION ONLY. DESIGN FEATURES, SPECIFICATIONS AND PERFORMANCE DATA SHOWN HEREON ARE THE PROPERTY OF THE AMPHENOL CORPORATION. NO RIGHTS OF REPRODUCTION ARE IMPLIED. ALL DIMENSIONS ARE SUBJECT TO NORMAL MANUFACTURING VARIATIONS.         </td> </tr> <tr> <td colspan="2">NEXT ASSY:</td> <td></td> </tr> </tbody> </table>						MATERIALS LIST			SIGNATURES	DATE		DRAWN: JONY XIE	2MAR18	<b>Amphenol</b> Sine Systems - www.amphenol-sine.com 44724 Morley Drive Clinton Township, MI 48036	CHECKED: ORION LI	2MAR18	ENGINEER:		APPROVAL: TOMMY XIE	2MAR18		MATERIAL SPECIFICATIONS:		CUSTOMER:	PROCESS SPECIFICATIONS:		THIS DRAWING IS SUPPLIED FOR INFORMATION ONLY. DESIGN FEATURES, SPECIFICATIONS AND PERFORMANCE DATA SHOWN HEREON ARE THE PROPERTY OF THE AMPHENOL CORPORATION. NO RIGHTS OF REPRODUCTION ARE IMPLIED. ALL DIMENSIONS ARE SUBJECT TO NORMAL MANUFACTURING VARIATIONS.	NEXT ASSY:		
MATERIALS LIST																														
SIGNATURES	DATE																													
DRAWN: JONY XIE	2MAR18	<b>Amphenol</b> Sine Systems - www.amphenol-sine.com 44724 Morley Drive Clinton Township, MI 48036																												
CHECKED: ORION LI	2MAR18																													
ENGINEER:																														
APPROVAL: TOMMY XIE	2MAR18																													
MATERIAL SPECIFICATIONS:		CUSTOMER:																												
PROCESS SPECIFICATIONS:		THIS DRAWING IS SUPPLIED FOR INFORMATION ONLY. DESIGN FEATURES, SPECIFICATIONS AND PERFORMANCE DATA SHOWN HEREON ARE THE PROPERTY OF THE AMPHENOL CORPORATION. NO RIGHTS OF REPRODUCTION ARE IMPLIED. ALL DIMENSIONS ARE SUBJECT TO NORMAL MANUFACTURING VARIATIONS.																												
NEXT ASSY:																														
		BOARDLOCK PCB MOUNT RECEPTACLE, 6 PIN, RA FLANGE, AT SERIES																												
SIZE: B C-	TYPE: AT13-6PX-BMXX	DWG NO: A2	REVISION: A2																											
SCALE: NONE	SHEET 2 OF 2																													

TITLE: PCB MOUNT RECEPTACLE, 6PIN, RA FLANGE, AT SERIES  
 DWG NO: AT13-6PX-BMXX  
 REV: A2  
 SH: 2  
 OF: 2

## X-ON Electronics

Largest Supplier of Electrical and Electronic Components

*Click to view similar products for [Automotive Connectors](#) category:*

*Click to view products by [Amphenol](#) manufacturer:*

Other Similar products are found below :

[003-018-000](#) [60403001](#) [60993906-B](#) [M902-2131](#) [M902-2161](#) [72.330.1035.1](#) [73.353.4028.0](#) [F119300-B](#) [F166900](#) [F258300-B](#) [F358300-B](#)  
[F407400](#) [F444110](#) [F487000](#) [F509500B-B](#) [827153-1](#) [8N1515-32-24P](#) [9-1326729-8](#) [925474-1](#) [928905-1](#) [964562-4](#) [968782-1](#) [GT17SA-8DS-](#)  
[HU](#) [98891-1012](#) [98947-1016](#) [12004475-L](#) [12010290](#) [12010309-B](#) [12015454](#) [12020219-B](#) [12020308](#) [12041318-B](#) [12052225-L](#) [12052466](#)  
[12059125](#) [12064869](#) [12004327-B](#) [12010503-B](#) [12015308](#) [12015384](#) [12015909](#) [1-21030-1](#) [12041254](#) [12041318](#) [12047946-B](#) [12047957](#)  
[12047957-L](#) [12059473](#) [12066261](#) [12110546](#)