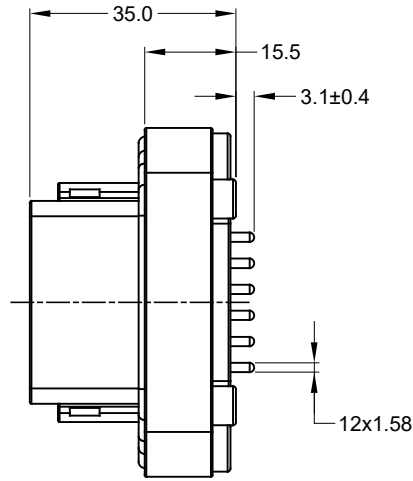
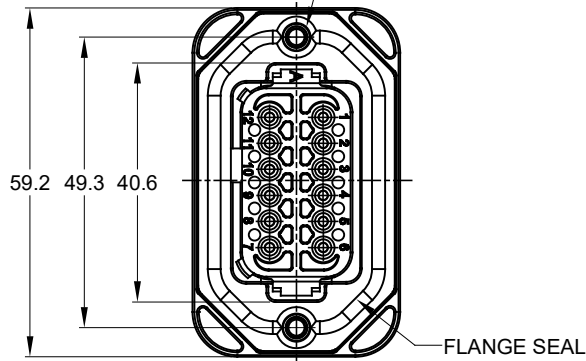
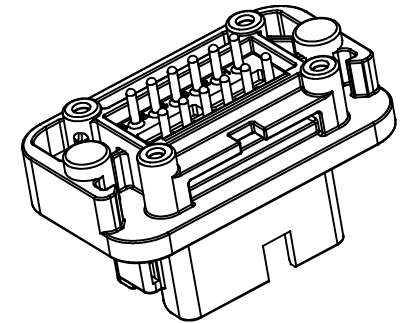
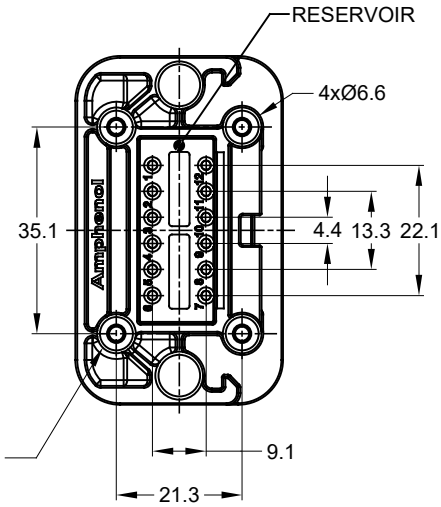


| REVISIONS |        |                     |           |       |       |
|-----------|--------|---------------------|-----------|-------|-------|
| REV       | ECO    | DESCRIPTION         | DATE      | BY    | APPR  |
| A1        | --     | RELEASE NEW DRAWING | 14/DEC/18 | BROOK | TOMMY |
| A2        | C110SS | UPDATE DRAWING      | 19/AUG/19 | BROOK | TOMMY |
| A3        | --     | REVISED DRAWING     | 10JUL20   | JHEAD | DH    |

2xØ3.10±0.12x11.18 DP  
 RECOMMENDED SCREW: 6-19 [M3.63 x 1.34]  
 THREAD-FORMING SCREW,  
 TORQUE: 11-15 IN-LB [1.24-1.70 NM]

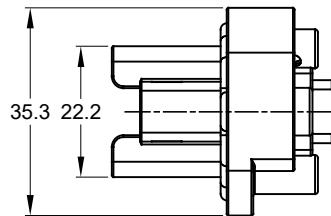


4x Ø2.79±0.12 x8.0 DP  
 RECOMMENDED SCREW: 4-20 [M3.12 x 1.27]  
 THREAD-FORMING SCREW,  
 TORQUE: 6-10 IN-LB [0.68-1.13 NM]



NOTES: UNLESS OTHERWISE SPECIFIED

- MATERIAL:  
 HOUSING: THERMOPLASTIC  
 SEAL: SILICONE RUBBER  
 CONTACT: COPPER ALLOY
- MODIFICATIONS: FLANGE, PCB MOUNT STRAIGHT
- SPECIFICATIONS:  
 3.1 CURRENT RATING: 13 AMPS  
 3.2 OPERATING TEMPERATURE: -55°C TO +125°C  
 3.3 DIELECTRIC WITHSTANDING VOLTAGE: LESS THAN 2 MILLIAMPS CURRENT LEAKAGE @ 1500 VOLTS AC.  
 3.4 INSULATION RESISTANCE: 1000 MEGOHMS MIN @ 25°C.  
 3.5 MOISTURE RESISTANCE: IP67 ( MATED CONDITION )  
 3.6 MATING CYCLE DURABILITY: 100 CYCLES  
 3.7 RoHS COMPLIANT
- MATING PART: AT06-12S\* PLUG (\* = MODIFICATIONS)
- ALL DIMENSIONS ARE FOR REFERENCE USE ONLY.
- POTTED CONNECTORS SPECIFIED FOR UP TO 5 P.S.I. APPLICATIONS.

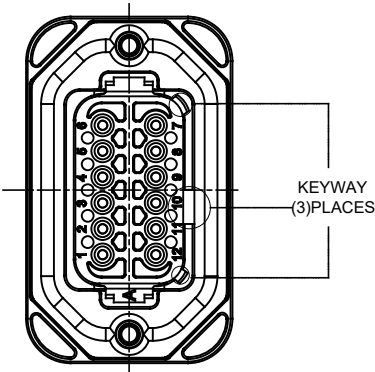


| AT15-12PX-BM1X  |             | REF : DT15-12PA-B016, DT15-12PB-B016 , DT15-12PC-B016 , DT15-12PD-B016  |          |            |         |          |                   |    |                |                   |   |           |           |    |      |                     |   |           |
|---|-------------|---|----------|------------|---------|----------|-------------------|----|----------------|-------------------|---|-----------|-----------|----|------|---------------------|---|-----------|
| QUANTITY  | PART NUMBER | DESCRIPTION   | ITEM     |            |         |          |                   |    |                |                   |   |           |           |    |      |                     |   |           |
| <table border="1"> <thead> <tr> <th colspan="2">SIGNATURES</th> <th>DATE</th> </tr> </thead> <tbody> <tr> <td>DRAWN: BROOK DING</td> <td></td> <td>19/AUG/19</td> </tr> <tr> <td>CHECKED: ORION LI</td> <td></td> <td>19/AUG/19</td> </tr> <tr> <td>ENGINEER:</td> <td></td> <td></td> </tr> <tr> <td>APPROVAL: TOMMY XIE</td> <td></td> <td>19/AUG/19</td> </tr> </tbody> </table> |             |   |          | SIGNATURES |         | DATE     | DRAWN: BROOK DING |    | 19/AUG/19      | CHECKED: ORION LI |   | 19/AUG/19 | ENGINEER: |    |      | APPROVAL: TOMMY XIE |   | 19/AUG/19 |
| SIGNATURES  |             | DATE  |          |            |         |          |                   |    |                |                   |   |           |           |    |      |                     |   |           |
| DRAWN: BROOK DING   |             | 19/AUG/19   |          |            |         |          |                   |    |                |                   |   |           |           |    |      |                     |   |           |
| CHECKED: ORION LI   |             | 19/AUG/19   |          |            |         |          |                   |    |                |                   |   |           |           |    |      |                     |   |           |
| ENGINEER:   |             |   |          |            |         |          |                   |    |                |                   |   |           |           |    |      |                     |   |           |
| APPROVAL: TOMMY XIE   |             | 19/AUG/19   |          |            |         |          |                   |    |                |                   |   |           |           |    |      |                     |   |           |
| MATERIAL SPECIFICATIONS:  |             | <p><b>Amphenol</b></p> <p>Sine Systems - www.amphenol-sine.com<br/>           44724 Morley Drive<br/>           Clinton Township, MI 48036</p>                              |          |            |         |          |                   |    |                |                   |   |           |           |    |      |                     |   |           |
| PROCESS SPECIFICATIONS:   |             | <p>BOARDLOCK PCB MOUNT RECEPTACLE 12PIN<br/>           ENHANCED KEY, STRAIGHT AT SERIES</p>   |          |            |         |          |                   |    |                |                   |   |           |           |    |      |                     |   |           |
| NEXT ASSY:  |             | <table border="1"> <tr> <th>SIZE</th> <th>TYPE</th> <th>DWG NO.</th> <th>REVISION</th> </tr> <tr> <td>B</td> <td>C-</td> <td>AT15-12PX-BM1X</td> <td>A2</td> </tr> </table> | SIZE     | TYPE       | DWG NO. | REVISION | B                 | C- | AT15-12PX-BM1X | A2                | <table border="1"> <tr> <th>SCALE</th> <th>SHEET</th> <th>OF</th> </tr> <tr> <td>NONE</td> <td>1</td> <td>3</td> </tr> </table> | SCALE     | SHEET     | OF | NONE | 1                   | 3 |           |
| SIZE  | TYPE        | DWG NO.   | REVISION |            |         |          |                   |    |                |                   |   |           |           |    |      |                     |   |           |
| B   | C-          | AT15-12PX-BM1X  | A2       |            |         |          |                   |    |                |                   |   |           |           |    |      |                     |   |           |
| SCALE   | SHEET       | OF  |          |            |         |          |                   |    |                |                   |   |           |           |    |      |                     |   |           |
| NONE  | 1           | 3   |          |            |         |          |                   |    |                |                   |   |           |           |    |      |                     |   |           |

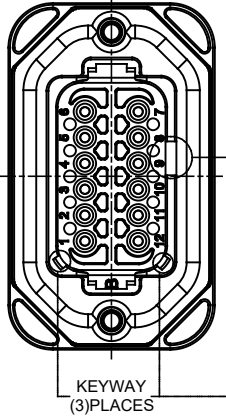
TITLE: BOARDLOCK PCB MOUNT RECEPTACLE 12PIN ENHANCED KEY STRAIGHT AT SERIES  
 DWG NO.: AT15-12PX-BM1X  
 REV: A2  
 SH: 1  
 OF: 3

| REVISIONS |        |                     |           |       |       |
|-----------|--------|---------------------|-----------|-------|-------|
| REV       | ECO    | DESCRIPTION         | DATE      | BY    | APPR  |
| A1        | --     | RELEASE NEW DRAWING | 14/DEC/18 | BROOK | TOMMY |
| A2        | C1106S | UPDATE DRAWING      | 19/AUG/19 | BROOK | TOMMY |
| A3        | --     | REVISED DRAWING     | 10JUL20   | JHEAD | DH    |

P/N AT15-12PA-BM1X  
KEY-A CONFIGURATION  
STANDARD COLOR: GREY



P/N AT15-12PB-BM1X  
KEY-B CONFIGURATION  
STANDARD COLOR: BLACK



| AT15-12PA-BM1X VARIANTS |                             |                |
|-------------------------|-----------------------------|----------------|
| CONTACT PLATING         | POTTING OR NOT IN RESERVOIR | PART NUMBER    |
| TIN                     | NO POTTING                  | AT15-12PA-BM16 |
| TIN                     | POTTING                     | AT15-12PA-BM17 |
| GOLD                    | NO POTTING                  | AT15-12PA-BM18 |
| GOLD                    | POTTING                     | AT15-12PA-BM19 |

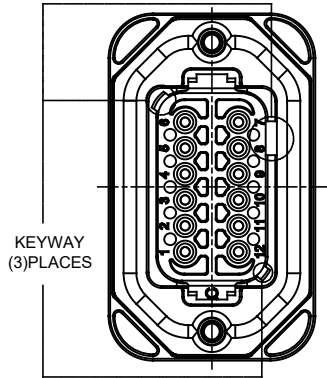
| AT15-12PB-BM1X VARIANTS |                             |                |
|-------------------------|-----------------------------|----------------|
| CONTACT PLATING         | POTTING OR NOT IN RESERVOIR | PART NUMBER    |
| TIN                     | NO POTTING                  | AT15-12PB-BM16 |
| TIN                     | POTTING                     | AT15-12PB-BM17 |
| GOLD                    | NO POTTING                  | AT15-12PB-BM18 |
| GOLD                    | POTTING                     | AT15-12PB-BM19 |

| AT15-12PX-BM1X   |   | REF : DT15-12PA-B016, DT15-12PB-B016, DT15-12PC-B016, DT15-12PD-B016 |   |      |
|--|---|--|---|------|
| PART NUMBER  |   | DESCRIPTION  |   |      |
| QUANTITY   | MATERIALS LIST  |  |   | ITEM |
| UNLESS OTHERWISE SPECIFIED   | SIGNATURES  | DATE   | <h1 style="text-align: center;">Amphenol</h1> <p style="text-align: center;">Sine Systems - www.amphenol-sine.com<br/>44724 Morley Drive<br/>Clinton Township, MI 48036</p> <p style="text-align: center;"><b>BOARDLOCK PCB MOUNT RECEPTACLE 12PIN<br/>ENHANCED KEY, STRAIGHT AT SERIES</b></p> |      |
| 1) All dimensions are in metric(mm).<br>2) Tolerances are as follows:<br>1 PL DEC ±0.30 Fractions ±1/64<br>2 PL DEC ±0.15 Angles ±1°<br>3 PL DEC ±0.08 | DRAWN: BROOK.DING   | 19/AUG/19  |   |      |
| 3) Note reference =  | CHECKED: ORION.LI   | 19/AUG/19  |   |      |
|  | ENGINEER:   |  |   |      |
| MATERIAL SPECIFICATIONS:   | APPROVAL: TOMMY.XIE   | 19/AUG/19  | <p>SIZE: <b>B C-</b> TYPE: <b>AT15-12PX-BM1X</b> REVISION: <b>A2</b></p> <p>SCALE: NONE SHEET 2 OF 3</p>  |      |
| PROCESS SPECIFICATIONS:  | <p>THIS DRAWING IS SUPPLIED FOR INFORMATION ONLY. DESIGN FEATURES, SPECIFICATIONS AND PERFORMANCE DATA SHOWN HEREON ARE THE PROPERTY OF THE AMPHENOL CORPORATION. NO RIGHTS OF REPRODUCTION ARE IMPLIED. ALL DIMENSIONS ARE SUBJECT TO NORMAL MANUFACTURING VARIATIONS.</p> |  |   |      |
| NEXT ASSY:   |   |  |   |      |

TITLE: BOARDLOCK PCB MOUNT RECEPTACLE 12PIN ENHANCED KEY, STRAIGHT AT SERIES  
DWG NO: AT15-12PX-BM1X  
REV: A2  
SH: 2  
OF: 3

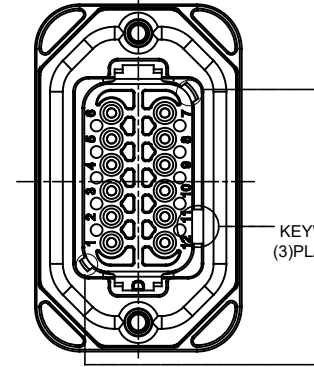
| REVISIONS |        |                     |           |       |       |
|-----------|--------|---------------------|-----------|-------|-------|
| REV       | ECO    | DESCRIPTION         | DATE      | BY    | APPR  |
| A1        | --     | RELEASE NEW DRAWING | 14/DEC/18 | BROOK | TOMMY |
| A2        | C1105S | UPDATE DRAWING      | 19/AUG/19 | BROOK | TOMMY |
| A3        | --     | REVISED DRAWING     | 10JUL20   | JHEAD | DH    |

P/N AT15-12PC-BM1X  
KEY-C CONFIGURATION  
STANDARD COLOR: GREEN



KEYWAY  
(3)PLACES

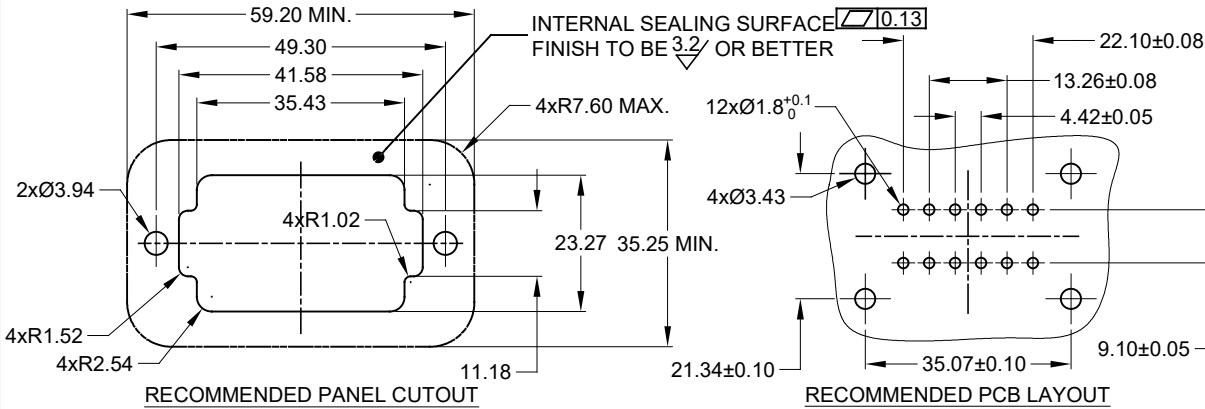
P/N AT15-12PD-BM1X  
KEY-D CONFIGURATION  
STANDARD COLOR: BROWN



KEYWAY  
(3)PLACES

| AT15-12PC-BM1X VARIANTS |                             |                |
|-------------------------|-----------------------------|----------------|
| CONTACT PLATING         | POTTING OR NOT IN RESERVOIR | PART NUMBER    |
| TIN                     | NO POTTING                  | AT15-12PC-BM16 |
| TIN                     | POTTING                     | AT15-12PC-BM17 |
| GOLD                    | NO POTTING                  | AT15-12PC-BM18 |
| GOLD                    | POTTING                     | AT15-12PC-BM19 |

| AT15-12PD-BM1X VARIANTS |                             |                |
|-------------------------|-----------------------------|----------------|
| CONTACT PLATING         | POTTING OR NOT IN RESERVOIR | PART NUMBER    |
| TIN                     | NO POTTING                  | AT15-12PD-BM16 |
| TIN                     | POTTING                     | AT15-12PD-BM17 |
| GOLD                    | NO POTTING                  | AT15-12PD-BM18 |
| GOLD                    | POTTING                     | AT15-12PD-BM19 |



| AT15-12PX-BM1X                       |  | REF : DT15-12PA-B016, DT15-12PB-B016, DT15-12PC-B016, DT15-12PD-B016   |      | ITEM           |
|--------------------------------------|--|--|------|----------------|
| PART NUMBER                          |  | DESCRIPTION  |      |                |
| QUANTITY                             |  | MATERIALS LIST   |      |                |
| UNLESS OTHERWISE SPECIFIED           |  | SIGNATURES   |      | DATE           |
| 1) All dimensions are in metric(mm). |  | DRAWN: BROOK DING  |      | 19/AUG/19      |
| 2) Tolerances are as follows:        |  | CHECKED: ORION LI  |      | 19/AUG/19      |
| 1 PL DEC ±0.50 Fractions ±1/64       |  | ENGINEER:  |      |                |
| 2 PL DEC ±0.15 Angles ±1°            |  | APPROVAL: TOMMY XIE  |      | 19/AUG/19      |
| 3 PL DEC ±0.08                       |  | CUSTOMER:  |      |                |
| 3) Note reference = $\triangle$      |  | THIS DRAWING IS SUPPLIED FOR INFORMATION ONLY. DESIGN FEATURES, SPECIFICATIONS AND PERFORMANCE DATA SHOWN HEREON ARE THE PROPERTY OF THE AMPHENOL CORPORATION. NO RIGHTS OF REPRODUCTION ARE IMPLIED. ALL DIMENSIONS ARE SUBJECT TO NORMAL MANUFACTURING VARIATIONS. |      |                |
| MATERIAL SPECIFICATIONS:             |  | Sine Systems - www.amphenol-sine.com<br>44724 Morley Drive<br>Clinton Township, MI 48036   |      |                |
| PROCESS SPECIFICATIONS:              |  | BOARDLOCK PCB MOUNT RECEPTACLE 12PIN ENHANCED KEY, STRAIGHT AT SERIES  |      |                |
| NEXT ASSY:                           |  | SIZE   | TYPE | DWG NO.        |
|                                      |  | B  | C-   | AT15-12PX-BM1X |
|                                      |  | SCALE  | NONE | A2             |
|                                      |  | SHEET 3 OF 3   |      |                |

TITLE BOARDLOCK PCB MOUNT RECEPTACLE 12PIN ENHANCED KEY STRAIGHT AT SERIES  
DWG NO. AT15-12PX-BM1X  
REV A2  
SH 3  
OF 3

## X-ON Electronics

Largest Supplier of Electrical and Electronic Components

*Click to view similar products for [Automotive Connectors](#) category:*

*Click to view products by [Amphenol](#) manufacturer:*

Other Similar products are found below :

[003-018-000](#) [60403001](#) [60993906-B](#) [M902-2131](#) [M902-2161](#) [72.330.1035.1](#) [73.353.4028.0](#) [F119300-B](#) [F166900](#) [F258300-B](#) [F358300-B](#)  
[F407400](#) [F444110](#) [F487000](#) [F509500B-B](#) [827153-1](#) [8N1515-32-24P](#) [9-1326729-8](#) [925474-1](#) [928905-1](#) [964562-4](#) [968782-1](#) [GT17SA-8DS-](#)  
[HU](#) [98891-1012](#) [98947-1016](#) [12004475-L](#) [12010290](#) [12010309-B](#) [12015454](#) [12020219-B](#) [12020308](#) [12041318-B](#) [12052225-L](#) [12052466](#)  
[12059125](#) [12064869](#) [12004327-B](#) [12010503-B](#) [12015308](#) [12015384](#) [12015909](#) [1-21030-1](#) [12041254](#) [12041318](#) [12047946-B](#) [12047957](#)  
[12047957-L](#) [12059473](#) [12066261](#) [12110546](#)