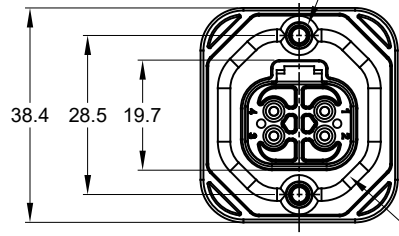
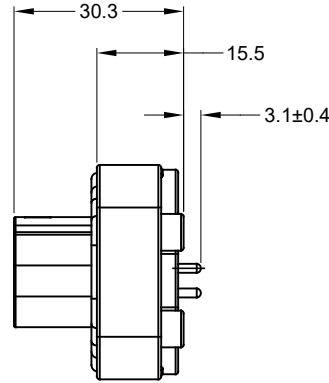


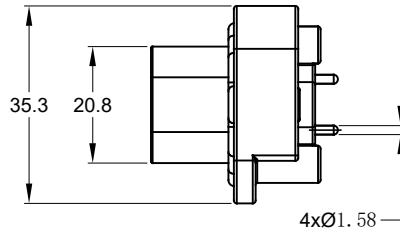
2xØ3.10±0.12x11.18 DP
 RECOMMENDED SCREW: 6-19 [M3.63 x 1.34]
 THREAD-FORMING SCREW,
 TORQUE: 11-15 IN-LB [1.24-1.70 NM]



FLANGE SEAL

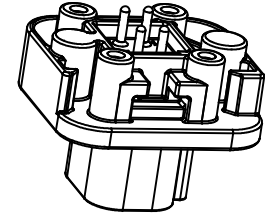
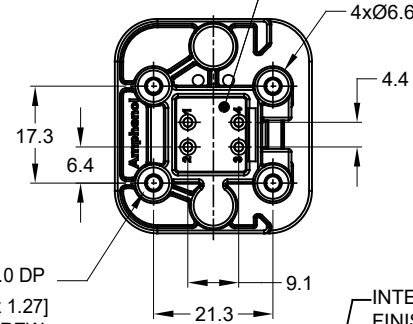


4xØ2.79±0.12 x8.0 DP
 RECOMMENDED SCREW: 4-20 [M3.12 x 1.27]
 THREAD-FORMING SCREW,
 TORQUE:6-10 IN-LB [0.68-1.13 NM]

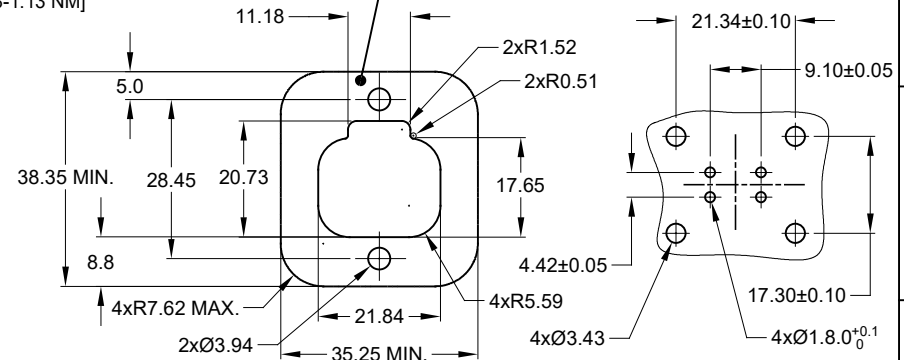


| REVISIONS | | | | | |
|-----------|-----|---------------------|---------|-------|-------|
| REV | ECO | DESCRIPTION | DATE | BY | APPR |
| A1 | - | RELEASE NEW DRAWING | 20JUN18 | JONY | TOMMY |
| A2 | - | REVISED DRAWING | 10JUL20 | JHEAD | DH |

RESERVOIR



INTERNAL SEALING SURFACE
 FINISH TO BE 3.2/ OR BETTER [∇/0.13]



RECOMMENDED PANEL CUTOUT

RECOMMENDED PCB LAYOUT

NOTES: UNLESS OTHERWISE SPECIFIED

- MATERIAL:
 HOUSING: THERMOPLASTIC
 SEAL: SILICONE RUBBER
 CONTACT: COPPER ALLOY
- MODIFICATIONS: FLANGE, PCB MOUNT STRAIGHT
- SPECIFICATIONS:
 3.1 CURRENT RATING: 13 AMPS
 3.2 OPERATING TEMPERATURE: -55°C TO +125°C
 3.3 DIELECTRIC WITHSTANDING VOLTAGE: LESS THAN 2 MILLIAMPS CURRENT LEAKAGE @ 1500 VOLTS AC.
 3.4 INSULATION RESISTANCE: 1000 MEGOHMS MIN @ 25°C.
 3.5 MOISTURE RESISTANCE: IP67 (MATED CONDITION)
 3.6 MATING CYCLE DURABILITY: 100 CYCLES
 3.7 RoHS COMPLIANT
- MATING PART: AT06-4S* PLUG (* = MODIFICATIONS)
- ALL DIMENSIONS ARE FOR REFERENCE USE ONLY.
- POTTED CONNECTORS SPECIFIED FOR UP TO 5 P.S.I. APPLICATIONS.

| AT15-4P-BMXX VARIANTS | | |
|-----------------------|-----------------------------|--------------|
| CONTACT PLATING | POTTING OR NOT IN RESERVOIR | PART NUMBER |
| GOLD | NO POTTING | AT15-4P-BM01 |
| GOLD | POTTING | AT15-4P-BM02 |
| TIN | NO POTTING | AT15-4P-BM03 |
| TIN | POTTING | AT15-4P-BM04 |

| AT15-4P-BMXX | | REF: DT15-4P, DT15-4P-G003 |
|--|----------------|----------------------------|
| PART NUMBER | DESCRIPTION | ITEM |
| QUANTITY | MATERIALS LIST | |
| UNLESS OTHERWISE SPECIFIED: 1) All dimensions are in metric (mm). 2) Tolerances are as follows: 1 PL DEC ±0.30 Fractions ±1/64 2 PL DEC ±0.15 Angles ±1° 3 PL DEC ±0.08 3) Note reference = | | |
| SIGNATURES | | DATE |
| DRAWN: JONY XIE | | 20JUN18 |
| CHECKED: ORION LI | | 20JUN18 |
| ENGINEER: | | |
| APPROVAL: TOMMY XIE | | 20JUN18 |
| CUSTOMER: | | |
| MATERIAL SPECIFICATIONS: | | |
| PROCESS SPECIFICATIONS: | | |
| THIS DRAWING IS SUPPLIED FOR INFORMATION ONLY. DESIGN FEATURES, SPECIFICATIONS AND PERFORMANCE DATA SHOWN HEREON ARE THE PROPERTY OF THE AMPHENOL CORPORATION. NO RIGHTS OF REPRODUCTION ARE IMPLIED. ALL DIMENSIONS ARE SUBJECT TO NORMAL MANUFACTURING VARIATIONS. | | |
| NEXT ASSY: | | |
| SIZE: B C- | | DWG NO: AT15-4P-BMXX |
| SCALE: NONE | | REVISION: A2 |
| SHEET 1 | | OF 1 |

TITLE: PCB MOUNT RECEPTACLE 4 PIN STRAIGHT AT SERIES
 DWG NO: AT15-4P-BMXX
 REV: A2
 SH: 1
 OF: 1

X-ON Electronics

Largest Supplier of Electrical and Electronic Components

Click to view similar products for [Automotive Connectors](#) category:

Click to view products by [Amphenol](#) manufacturer:

Other Similar products are found below :

[003-018-000](#) [60403001](#) [60993906-B](#) [M902-2131](#) [M902-2161](#) [72.330.1035.1](#) [73.353.4028.0](#) [F119300-B](#) [F166900](#) [F258300-B](#) [F358300-B](#)
[F407400](#) [F444110](#) [F487000](#) [F509500B-B](#) [827153-1](#) [8N1515-32-24P](#) [9-1326729-8](#) [925474-1](#) [928905-1](#) [964562-4](#) [968782-1](#) [GT17SA-8DS-](#)
[HU](#) [98891-1012](#) [98947-1016](#) [12004475-L](#) [12010290](#) [12010309-B](#) [12015454](#) [12020219-B](#) [12020308](#) [12041318-B](#) [12052225-L](#) [12052466](#)
[12059125](#) [12064869](#) [12004327-B](#) [12010503-B](#) [12015308](#) [12015384](#) [12015909](#) [1-21030-1](#) [12041254](#) [12041318](#) [12047946-B](#) [12047957](#)
[12047957-L](#) [12059473](#) [12066261](#) [12110546](#)