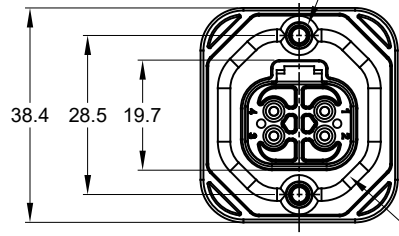
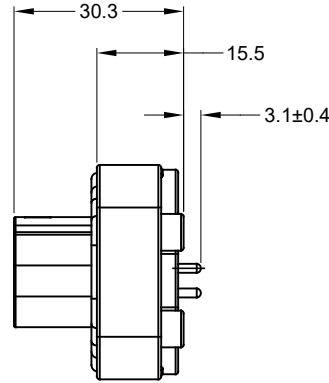


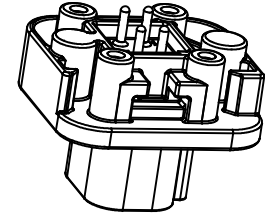
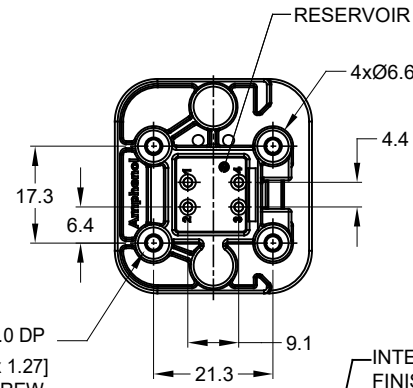
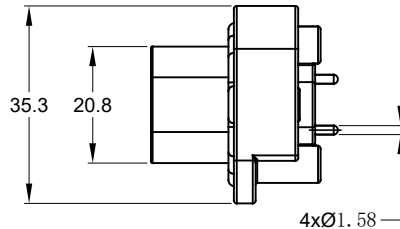
2xØ3.10±0.12x11.18 DP
 RECOMMENDED SCREW: 6-19 [M3.63 x 1.34]
 THREAD-FORMING SCREW,
 TORQUE: 11-15 IN-LB [1.24-1.70 NM]



FLANGE SEAL



4xØ2.79±0.12 x8.0 DP
 RECOMMENDED SCREW: 4-20 [M3.12 x 1.27]
 THREAD-FORMING SCREW,
 TORQUE:6-10 IN-LB [0.68-1.13 NM]

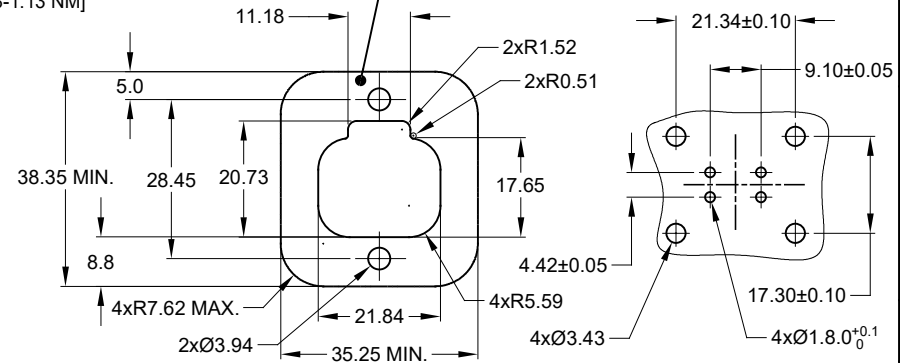


REVISIONS					
REV	ECO	DESCRIPTION	DATE	BY	APPR
A1	-	RELEASE NEW DRAWING	20JUN18	JONY	TOMMY
A2	-	REVISED DRAWING	10JUL20	JHEAD	DH

NOTES: UNLESS OTHERWISE SPECIFIED

- MATERIAL:
 HOUSING: THERMOPLASTIC
 SEAL: SILICONE RUBBER
 CONTACT: COPPER ALLOY
- MODIFICATIONS: FLANGE, PCB MOUNT STRAIGHT
- SPECIFICATIONS:
 3.1 CURRENT RATING: 13 AMPS
 3.2 OPERATING TEMPERATURE: -55°C TO +125°C
 3.3 DIELECTRIC WITHSTANDING VOLTAGE: LESS THAN 2 MILLIAMPS CURRENT LEAKAGE @ 1500 VOLTS AC.
 3.4 INSULATION RESISTANCE: 1000 MEGOHMS MIN @ 25°C.
 3.5 MOISTURE RESISTANCE: IP67 (MATED CONDITION)
 3.6 MATING CYCLE DURABILITY: 100 CYCLES
 3.7 RoHS COMPLIANT
- MATING PART: AT06-4S* PLUG (* = MODIFICATIONS)
- ALL DIMENSIONS ARE FOR REFERENCE USE ONLY.
- POTTED CONNECTORS SPECIFIED FOR UP TO 5 P.S.I. APPLICATIONS.

AT15-4P-BMXX VARIANTS		
CONTACT PLATING	POTTING OR NOT IN RESERVOIR	PART NUMBER
GOLD	NO POTTING	AT15-4P-BM01
GOLD	POTTING	AT15-4P-BM02
TIN	NO POTTING	AT15-4P-BM03
TIN	POTTING	AT15-4P-BM04



RECOMMENDED PANEL CUTOUT

RECOMMENDED PCB LAYOUT

AT15-4P-BMXX		REF: DT15-4P, DT15-4P-G003																																	
PART NUMBER	DESCRIPTION	ITEM																																	
<table border="1"> <tr> <th>QUANTITY</th> <th colspan="2">MATERIALS LIST</th> </tr> <tr> <td colspan="3">UNLESS OTHERWISE SPECIFIED</td> </tr> <tr> <td>1) All dimensions are in metric (mm).</td> <td>SIGNATURES</td> <td>DATE</td> </tr> <tr> <td>2) Tolerances are as follows:</td> <td>DRAWN: JONY.XIE</td> <td>20JUN18</td> </tr> <tr> <td>1 PL DEC ±0.30 Fractions ±1/64</td> <td>CHECKED: ORION.LI</td> <td>20JUN18</td> </tr> <tr> <td>2 PL DEC ±0.15 Angles ±1°</td> <td>ENGINEER:</td> <td></td> </tr> <tr> <td>3 PL DEC ±0.08</td> <td>APPROVAL: TOMMY.XIE</td> <td>20JUN18</td> </tr> <tr> <td>3) Note reference = </td> <td>CUSTOMER:</td> <td></td> </tr> <tr> <td>MATERIAL SPECIFICATIONS:</td> <td colspan="2">THIS DRAWING IS SUPPLIED FOR INFORMATION ONLY. DESIGN FEATURES, SPECIFICATIONS AND PERFORMANCE DATA SHOWN HEREON ARE THE PROPERTY OF THE AMPHENOL CORPORATION. NO RIGHTS OF REPRODUCTION ARE IMPLIED. ALL DIMENSIONS ARE SUBJECT TO NORMAL MANUFACTURING VARIATIONS.</td> </tr> <tr> <td>PROCESS SPECIFICATIONS:</td> <td>SIZE: B C-</td> <td>DWG NO: AT15-4P-BMXX</td> </tr> <tr> <td>NEXT ASSY:</td> <td>SCALE: NONE</td> <td>REVISION: A2</td> </tr> </table>			QUANTITY	MATERIALS LIST		UNLESS OTHERWISE SPECIFIED			1) All dimensions are in metric (mm).	SIGNATURES	DATE	2) Tolerances are as follows:	DRAWN: JONY.XIE	20JUN18	1 PL DEC ±0.30 Fractions ±1/64	CHECKED: ORION.LI	20JUN18	2 PL DEC ±0.15 Angles ±1°	ENGINEER:		3 PL DEC ±0.08	APPROVAL: TOMMY.XIE	20JUN18	3) Note reference =	CUSTOMER:		MATERIAL SPECIFICATIONS:	THIS DRAWING IS SUPPLIED FOR INFORMATION ONLY. DESIGN FEATURES, SPECIFICATIONS AND PERFORMANCE DATA SHOWN HEREON ARE THE PROPERTY OF THE AMPHENOL CORPORATION. NO RIGHTS OF REPRODUCTION ARE IMPLIED. ALL DIMENSIONS ARE SUBJECT TO NORMAL MANUFACTURING VARIATIONS.		PROCESS SPECIFICATIONS:	SIZE: B C-	DWG NO: AT15-4P-BMXX	NEXT ASSY:	SCALE: NONE	REVISION: A2
QUANTITY	MATERIALS LIST																																		
UNLESS OTHERWISE SPECIFIED																																			
1) All dimensions are in metric (mm).	SIGNATURES	DATE																																	
2) Tolerances are as follows:	DRAWN: JONY.XIE	20JUN18																																	
1 PL DEC ±0.30 Fractions ±1/64	CHECKED: ORION.LI	20JUN18																																	
2 PL DEC ±0.15 Angles ±1°	ENGINEER:																																		
3 PL DEC ±0.08	APPROVAL: TOMMY.XIE	20JUN18																																	
3) Note reference =	CUSTOMER:																																		
MATERIAL SPECIFICATIONS:	THIS DRAWING IS SUPPLIED FOR INFORMATION ONLY. DESIGN FEATURES, SPECIFICATIONS AND PERFORMANCE DATA SHOWN HEREON ARE THE PROPERTY OF THE AMPHENOL CORPORATION. NO RIGHTS OF REPRODUCTION ARE IMPLIED. ALL DIMENSIONS ARE SUBJECT TO NORMAL MANUFACTURING VARIATIONS.																																		
PROCESS SPECIFICATIONS:	SIZE: B C-	DWG NO: AT15-4P-BMXX																																	
NEXT ASSY:	SCALE: NONE	REVISION: A2																																	
<p style="text-align: center;">Amphenol</p> <p style="text-align: center;">Sine Systems - www.amphenol-sine.com 44724 Morley Drive Clinton Township, MI 48036</p> <p style="text-align: center;">BOARDLOCK PCB MOUNT RECEPTACLE 4 PIN, STRAIGHT, AT SERIES</p>																																			
SHEET 1 OF 1																																			

TITLE: PCB MOUNT RECEPTACLE 4 PIN STRAIGHT AT SERIES
 DWG NO: AT15-4P-BMXX
 REV: A2
 SH: 1
 OF: 1

X-ON Electronics

Largest Supplier of Electrical and Electronic Components

Click to view similar products for [Automotive Connectors](#) category:

Click to view products by [Amphenol](#) manufacturer:

Other Similar products are found below :

[003-018-000](#) [60403001](#) [60993906-B](#) [M902-2131](#) [M902-2161](#) [72.330.1035.1](#) [73.353.4028.0](#) [F119300-B](#) [F166900](#) [F258300-B](#) [F358300-B](#)
[F407400](#) [F444110](#) [F487000](#) [F509500B-B](#) [827153-1](#) [8N1515-32-24P](#) [9-1326729-8](#) [925474-1](#) [928905-1](#) [964562-4](#) [968782-1](#) [GT17SA-8DS-](#)
[HU](#) [98891-1012](#) [98947-1016](#) [12004475-L](#) [12010290](#) [12010309-B](#) [12015454](#) [12020219-B](#) [12020308](#) [12041318-B](#) [12052225-L](#) [12052466](#)
[12059125](#) [12064869](#) [12004327-B](#) [12010503-B](#) [12015308](#) [12015384](#) [12015909](#) [1-21030-1](#) [12041254](#) [12041318](#) [12047946-B](#) [12047957](#)
[12047957-L](#) [12059473](#) [12066261](#) [12110546](#)