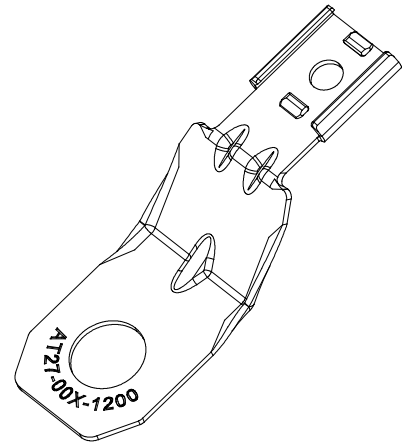


| REVISIONS | | | | | |
|-----------|-----|---------------------|-----------|--------|-------|
| REV | ECO | DESCRIPTION | DATE | BY | APPR |
| A1 | - | RELEASE NEW DRAWING | 22/MAR/19 | ROOKIE | TOMMY |



NOTES: UNLESS OTHERWISE SPECIFIED

- USE WITH CONNECTORS
 - A. AT04-2/3/4/6/12P*
 - B. ATM04-2/3/4/6/8/12P*
 - C. ATP04-2/4P*
 - D. ATV04.*
 - E. ATHD04.*
- (* = MODIFICATIONS AND/OR COLORS)

2. RoHS COMPLIANT

3. ALL DIMENSIONS ARE FOR REFERENCE USE ONLY.

△ PART INFORMATION:

| PART NUMBER | MATERIAL | HOLE DIAMETER |
|---------------|-------------------|---------------|
| AT27-003-1200 | STAINLESS STEEL | 11mm |
| AT27-004-1200 | STEEL-ZINC PLATED | 13mm |
| AT27-005-1200 | STAINLESS STEEL | 13mm |

| | | | |
|---------------------------------------|--|--|--|
| SEE TABLE | | REF: 1027-003-1200, 1027-004-1200, 1027-005-1200 | |
| PART NUMBER | | DESCRIPTION | |
| QUANTITY | | ITEM | |
| UNLESS OTHERWISE SPECIFIED: | | MATERIALS LIST | |
| 1) All dimensions are in metric (mm). | | SIGNATURES | |
| 2) Tolerances are as follows: | | DATE | |
| 1 PL DEC ±0.30 | | DRAWN: ROOKIE | |
| 2 PL DEC ±0.15 | | CHECKED: ORION | |
| 3 PL DEC ±0.08 | | ENGINEER: | |
| 3) Note reference = △ | | APPROVAL: TOMMY | |
| MATERIAL SPECIFICATIONS: | | CUSTOMER: | |
| PROCESS SPECIFICATIONS: | | THIS DRAWING IS SUPPLIED FOR INFORMATION ONLY. DESIGN FEATURES, SPECIFICATIONS AND PERFORMANCE DATA SHOWN HEREON ARE THE PROPERTY OF THE AMPHENOL CORPORATION. NO RIGHTS OF REPRODUCTION ARE IMPLIED. ALL DIMENSIONS ARE SUBJECT TO NORMAL MANUFACTURING VARIATIONS. | |
| NEXT ASSY: | | CUSTOMER: | |
| | | SINE Systems Corporation | |
| | | A Subsidiary of Amphenol Corporation 44724 Morley Drive Clinton Township, MI 48036 | |
| | | MOUNTING CLIP, A SERIES, METAL | |
| | | SIZE: B FSCM NO. DWG NO. AT27-00X-1200 REVISION A1 | |
| | | SCALE: NONE SHEET 1 OF 1 | |

TITLE: MOUNTING CLIP, A1, METAL
DWG NO: AT27-00X-1200
REV: A1
SH: 1
OF: 1

X-ON Electronics

Largest Supplier of Electrical and Electronic Components

Click to view similar products for [Heavy Duty Power Connectors](#) category:

Click to view products by [Amphenol](#) manufacturer:

Other Similar products are found below :

[647757-1](#) [6643411-1](#) [6646058-2](#) [6646137-1](#) [6646138-1](#) [6646479-1](#) [6646608-1](#) [6646786-1](#) [6646940-1](#) [6651091-1](#) [6651525-1](#) [6651529-1](#)
[6651788-1](#) [696475-1](#) [73000005059](#) [73000005642](#) [765-15-0080A](#) [765-16-0080B](#) [829992-1](#) [902-77-02113](#) [129-1J](#) [AN0024023](#) [E6374G1](#)
[e6389g2](#) [157-43GW8](#) [MS3117-14AC](#) [1643543-1](#) [1650540-1](#) [1651811-2](#) [1766260-1](#) [1766282-1](#) [1766966-1](#) [1791340000](#) [NLDFT-3-BL-L-](#)
[S120-M40A](#) [NLDFT-N-W-L-C240-M40B](#) [NLS-2-R-C240-M40B](#) [NLS-N-W-C240-M40B](#) [NPS-3-BL-T6](#) [1986615-1](#) [2-1589900-8](#) [2199314-1](#)
[KA8102](#) [9300480317](#) [SBS50BRN#6](#) [29131](#) [29652](#) [1646905-1](#) [1648320-1](#) [1648582-1](#) [1650195-2](#)