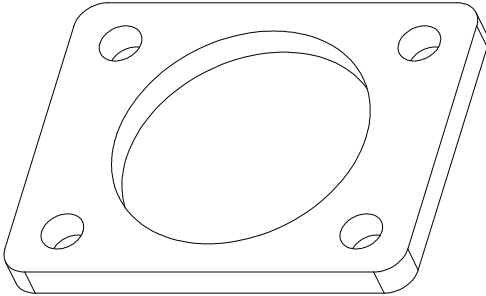
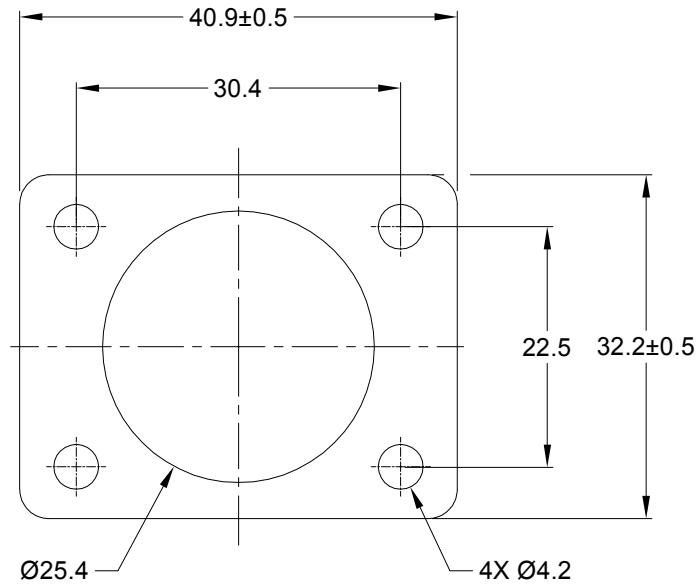


| REVISIONS |     |                     |           |     |       |
|-----------|-----|---------------------|-----------|-----|-------|
| REV       | ECO | DESCRIPTION         | DATE      | BY  | APPR  |
| A1        | --  | RELEASE NEW PRODUCT | 04/SEP/19 | JOE | TOMMY |



**NOTES: UNLESS OTHERWISE SPECIFIED**

- 1. MATERIAL: CLD CELL SPONGE
- 2. COLORS: BLACK
- 3. RoHS COMPLIANT
- 4. USE WITH AT04-3P-L012/CLXX/LEXX (XX=ALL MODIFICATIONS)
- 5. ALL DIMENSIONS ARE FOR REFERENCE USE ONLY.

|  |                |   |   |
|--|----------------|---|---|
| AT3P-L012-GKT  |                | REF:DT3P-L012-GKT   |   |
| PART NUMBER  |                | DESCRIPTION   |   |
| QUANTITY   | MATERIALS LIST |   |   |
| <p><b>UNLESS OTHERWISE SPECIFIED</b></p> <p>1) All dimensions are in metric(mm).<br/>                 2) Tolerances are as follows:<br/>                 1 PL DEC ±0.30<br/>                 2 PL DEC ±0.15<br/>                 3 PL DEC ±0.08</p> <p>Fractions ±1/64<br/>                 Angles ±1°</p> <p>3) Note reference = </p> |                | <p><b>SIGNATURES</b></p> <p>DRAWN: <b>JOE.SONG</b> 04/SEP/19</p> <p>CHECKED: <b>ORION.LI</b> 04/SEP/19</p> <p>ENGINEER:</p> <p>APPROVAL: <b>TOMMY.XIE</b> 04/SEP/19</p> <p>CUSTOMER:</p>  |   |
| MATERIAL SPECIFICATIONS:   |                | <p><b>Amphenol</b></p> <p>Sine Systems - www.amphenol-sine.com<br/>                 44724 Morley Drive<br/>                 Clinton Township, MI 48036</p>  |   |
| PROCESS SPECIFICATIONS:  |                | <p>GASKET,RECEPTACLE,3 PIN,AT SERIES</p>  |   |
| NEXT ASSY:   |                | <p>THIS DRAWING IS SUPPLIED FOR INFORMATION ONLY. DESIGN FEATURES, SPECIFICATIONS AND PERFORMANCE DATA SHOWN HEREON ARE THE PROPERTY OF THE AMPHENOL CORPORATION. NO RIGHTS OF REPRODUCTION ARE IMPLIED. ALL DIMENSIONS ARE SUBJECT TO NORMAL MANUFACTURING VARIATIONS.</p> |   |
|  |                | <p>SIZE: <b>A</b></p> <p>SCALE: NONE</p>  | <p>TYPE: <b>C-</b></p> <p>DWG NO: <b>AT3P-L012-GKT</b></p> <p>REVISION: <b>A1</b></p> |
|  |                | <p>SHEET 1 OF 1</p>   |   |

## X-ON Electronics

Largest Supplier of Electrical and Electronic Components

*Click to view similar products for [Automotive Connectors](#) category:*

*Click to view products by [Amphenol](#) manufacturer:*

Other Similar products are found below :

[003-018-000](#) [60403001](#) [60993906-B](#) [M902-2131](#) [M902-2161](#) [72.330.1035.1](#) [73.353.4028.0](#) [F119300-B](#) [F166900](#) [F258300-B](#) [F358300-B](#)  
[F407400](#) [F444110](#) [F487000](#) [F509500B-B](#) [827153-1](#) [8N1515-32-24P](#) [9-1326729-8](#) [925474-1](#) [928905-1](#) [964562-4](#) [968782-1](#) [GT17SA-8DS-](#)  
[HU](#) [98891-1012](#) [98947-1016](#) [12004475-L](#) [12010290](#) [12010309-B](#) [12015454](#) [12020219-B](#) [12020308](#) [12041318-B](#) [12052225-L](#) [12052466](#)  
[12059125](#) [12064869](#) [12004327-B](#) [12010503-B](#) [12015308](#) [12015384](#) [12015909](#) [1-21030-1](#) [12041254](#) [12041318](#) [12047946-B](#) [12047957](#)  
[12047957-L](#) [12059473](#) [12066261](#) [12110546](#)