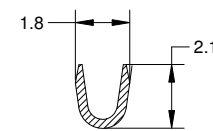
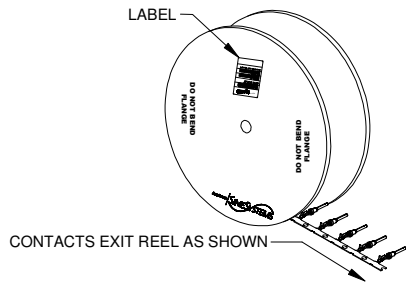
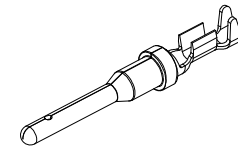
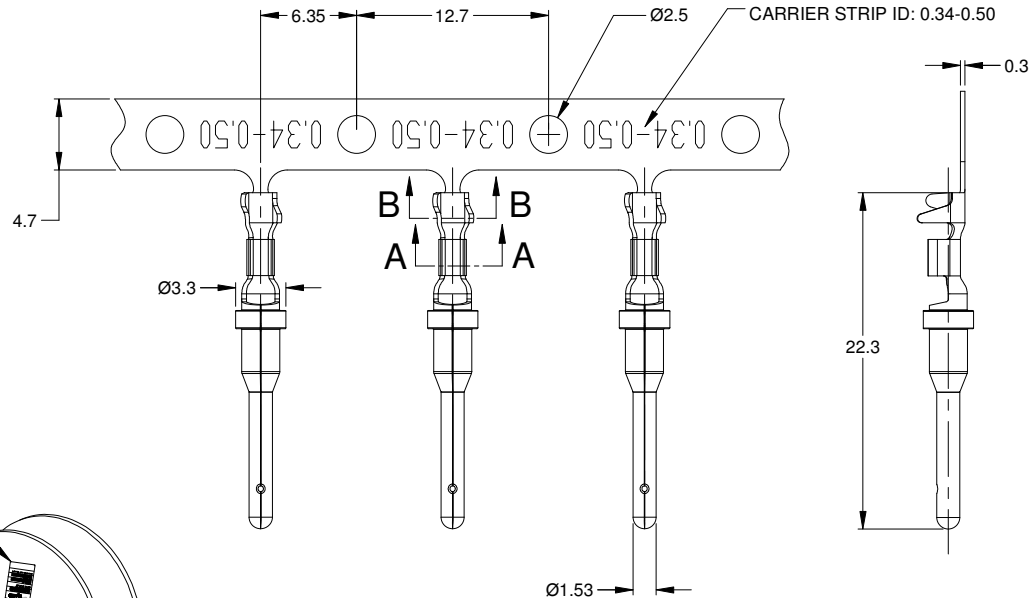
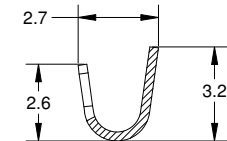


| REVISIONS | | | | | |
|-----------|-----|-------------|-----------|-----|------|
| REV | ECO | DESCRIPTION | DATE | BY | APPR |
| A1 | - | RELEASE | 30MAR2017 | JAH | - |



SECTION A-A



SECTION B-B

NOTES: UNLESS OTHERWISE SPECIFIED

1. MATERIAL: COPPER ALLOY
2. PLATING: SEE PART NUMBER CHART
3. CONTACT SIZE: 16
4. SPECIFICATIONS:
 - 4.1 CURRENT RATING: 13 AMPS
 - 4.2 CONTACT MILLIVOLT DROP: 100 MILLIVOLT DROP @ 13 AMP TEST CURRENT.
 - 4.3 RoHS COMPLIANT
5. RECOMMENDED WIRE RANGE: 20 - 22 AWG
6. ALL DIMENSIONS ARE FOR REFERENCE USE ONLY

| PART NUMBER CHART | |
|-------------------|--------------|
| PLATING | PART NUMBERS |
| NICKEL | AT60-16-0822 |
| GOLD | AT60-16-0844 |

| SEE CHART | | DESCRIPTION | | ITEM | | | | | | | | |
|--|-------------|--|-----------|---|------|------|---------|----------|---|----|--------------|----|
| QUANTITY | PART NUMBER | MATERIALS LIST | | | | | | | | | | |
| UNLESS OTHERWISE SPECIFIED: 1) All dimensions are in metric(mm). 2) Tolerances are as follows: 1 PL DEC ±0.30 2 PL DEC ±0.15 3 PL DEC ±0.08 Fractions ±1/64 Angles ±1° | | SIGNATURES | DATE | <h1>Amphenol</h1> <p>Sine Systems - www.amphenol-sine.com 44724 Morley Drive Clinton Township, MI 48036</p> | | | | | | | | |
| MATERIAL SPECIFICATIONS: | | DRAWN: J. HEAD | 30MAR2017 | | | | | | | | | |
| PROCESS SPECIFICATIONS: | | CHECKED: | ENGINEER: | | | | | | | | | |
| NEXT ASSY: | | APPROVAL: | CUSTOMER: | | | | | | | | | |
| THIS DRAWING IS SUPPLIED FOR INFORMATION ONLY. DESIGN FEATURES, SPECIFICATIONS AND PERFORMANCE DATA SHOWN HEREON ARE THE PROPERTY OF THE AMPHENOL CORPORATION. NO RIGHTS OF REPRODUCTION ARE IMPLIED. ALL DIMENSIONS ARE SUBJECT TO NORMAL MANUFACTURING VARIATIONS. | | CONTACT, PIN, STAMPED, SIZE 16, 20-22 AWG, AT & AHD-9 SERIES | | <table border="1"> <tr> <td>SIZE</td> <td>TYPE</td> <td>DWG NO:</td> <td>REVISION</td> </tr> <tr> <td>B</td> <td>C-</td> <td>AT60-16-08XX</td> <td>A1</td> </tr> </table> | SIZE | TYPE | DWG NO: | REVISION | B | C- | AT60-16-08XX | A1 |
| SIZE | TYPE | DWG NO: | REVISION | | | | | | | | | |
| B | C- | AT60-16-08XX | A1 | | | | | | | | | |
| SCALE: NONE | | SHEET 1 OF 1 | | | | | | | | | | |

TITLE: PIN, STAMPED, SIZE 16, 20-22 AWG, AT & AHD-9 SERIES
DWG NO: AT60-16-08XX
REV: A1
SH: 1
OF: 1

X-ON Electronics

Largest Supplier of Electrical and Electronic Components

Click to view similar products for [Automotive Connectors](#) category:

Click to view products by [Amphenol](#) manufacturer:

Other Similar products are found below :

[003-018-000](#) [60403001](#) [60993906-B](#) [M902-2131](#) [M902-2161](#) [72.330.1035.1](#) [73.353.4028.0](#) [F119300-B](#) [F166900](#) [F258300-B](#) [F358300-B](#)
[F407400](#) [F444110](#) [F487000](#) [F509500B-B](#) [827153-1](#) [8N1515-32-24P](#) [9-1326729-8](#) [925474-1](#) [928905-1](#) [964562-4](#) [968782-1](#) [GT17SA-8DS-](#)
[HU](#) [98891-1012](#) [98947-1016](#) [12004475-L](#) [12010290](#) [12010309-B](#) [12015454](#) [12020219-B](#) [12020308](#) [12041318-B](#) [12052225-L](#) [12052466](#)
[12059125](#) [12064869](#) [12004327-B](#) [12010503-B](#) [12015308](#) [12015384](#) [12015909](#) [1-21030-1](#) [12041254](#) [12041318](#) [12047946-B](#) [12047957](#)
[12047957-L](#) [12059473](#) [12066261](#) [12110546](#)