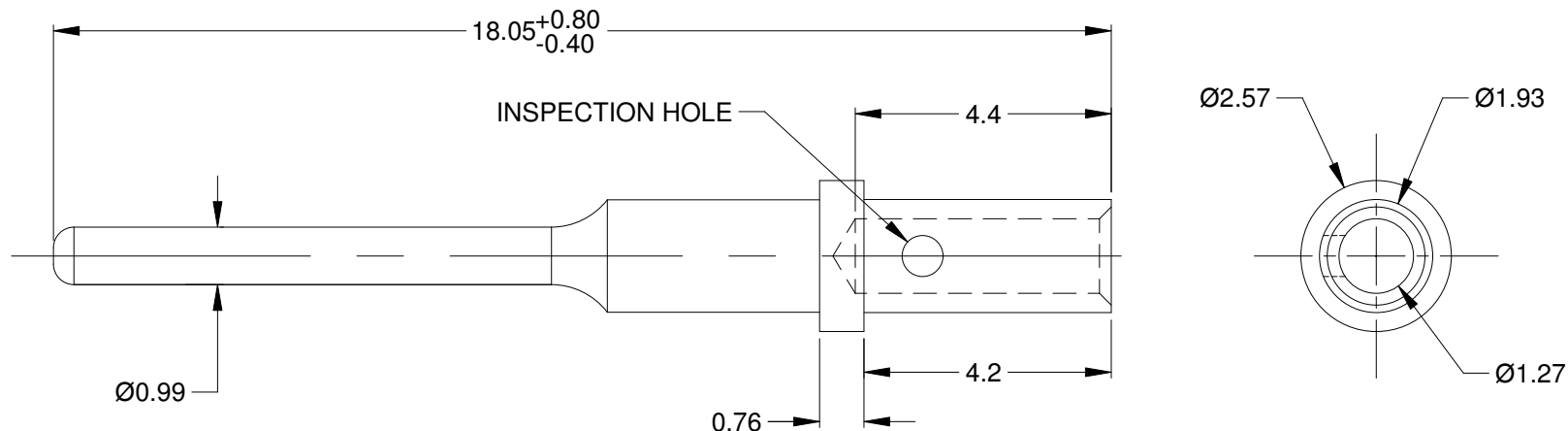


REVISIONS

REV	ECO	DESCRIPTION	DATE	BY	APPR
A3	-	RELEASE NEW DWG FORMAT	16/JUL/13	DRP	-
A4	-	ADDED BARREL DIA. 1.27	04/DEC/14	JAH	-
A5	-	REVISED OVERALL LENGTH LIMITS	19/APR/16	JAH	-



NOTES: UNLESS OTHERWISE SPECIFIED

1. MATERIAL: COPPER ALLOY
2. PLATING: SEE PART NUMBER CHART
3. CONTACT SIZE: 20
4. SPECIFICATIONS:
 - 4.1 CURRENT RATING: 7.5 AMPS
 - 4.2 CONTACT MILLIVOLT DROP: 60 MILLIVOLT DROP @ 7.5 AMP TEST CURRENT.
 - 4.3 RoHS COMPLIANT
5. RECOMMENDED WIRE RANGE: 20 - 22 AWG
6. AVAILABLE HAND CRIMPER: CA-5D12
7. ALL DIMENSIONS ARE FOR REFERENCE USE ONLY

PART NUMBER CHART

PLATING	PART NUMBER
GOLD	AT60-202-2031
NICKEL	AT60-202-20141

SEE PART NUMBER CHART

PART NUMBER

DESCRIPTION

ITEM

QUANTITY MATERIALS LIST

UNLESS OTHERWISE SPECIFIED

- 1) All dimensions are in metric(mm).
- 2) Tolerances are as follows:

1 PL DEC ±0.30	Fractions ±1/64	
2 PL DEC ±0.15		Angles ±1°
3 PL DEC ±0.08		
- 3) Note reference =

MATERIAL SPECIFICATIONS:

PROCESS SPECIFICATIONS:

NEXT ASSY:

SIGNATURES DATE

DRAWN: D.PARKS 16/JUL/13

CHECKED:

ENGINEER:

APPROVAL:

CUSTOMER:

THIS DRAWING IS SUPPLIED FOR INFORMATION ONLY. DESIGN FEATURES, SPECIFICATIONS AND PERFORMANCE DATA SHOWN HEREON ARE THE PROPERTY OF THE AMPHENOL CORPORATION. NO RIGHTS OF REPRODUCTION ARE IMPLIED. ALL DIMENSIONS ARE SUBJECT TO NORMAL MANUFACTURING VARIATIONS.

Amphenol

Sine Systems - www.amphenol-sine.com
44724 Morley Drive
Clinton Township, MI 48036

CONTACT, PIN, SOLID, SIZE 20,
20 - 22 AWG, ATM SERIES

SIZE	TYPE	DWG NO:	REVISION
A	C-	AT60-202-20XXX	A5
SCALE: NONE		SHEET 1 OF 1	

X-ON Electronics

Largest Supplier of Electrical and Electronic Components

Click to view similar products for [Automotive Connectors](#) category:

Click to view products by [Amphenol](#) manufacturer:

Other Similar products are found below :

[003-018-000](#) [60403001](#) [60993906-B](#) [M902-2131](#) [M902-2161](#) [72.330.1035.1](#) [73.353.4028.0](#) [F119300-B](#) [F166900](#) [F258300-B](#) [F358300-B](#)
[F407400](#) [F444110](#) [F487000](#) [F509500B-B](#) [827153-1](#) [8N1515-32-24P](#) [9-1326729-8](#) [925474-1](#) [928905-1](#) [964562-4](#) [968782-1](#) [GT17SA-8DS-](#)
[HU](#) [98891-1012](#) [98947-1016](#) [12004475-L](#) [12010290](#) [12010309-B](#) [12015454](#) [12020219-B](#) [12020308](#) [12041318-B](#) [12052225-L](#) [12052466](#)
[12059125](#) [12064869](#) [12004327-B](#) [12010503-B](#) [12015308](#) [12015384](#) [12015909](#) [1-21030-1](#) [12041254](#) [12041318](#) [12047946-B](#) [12047957](#)
[12047957-L](#) [12059473](#) [12066261](#) [12110546](#)