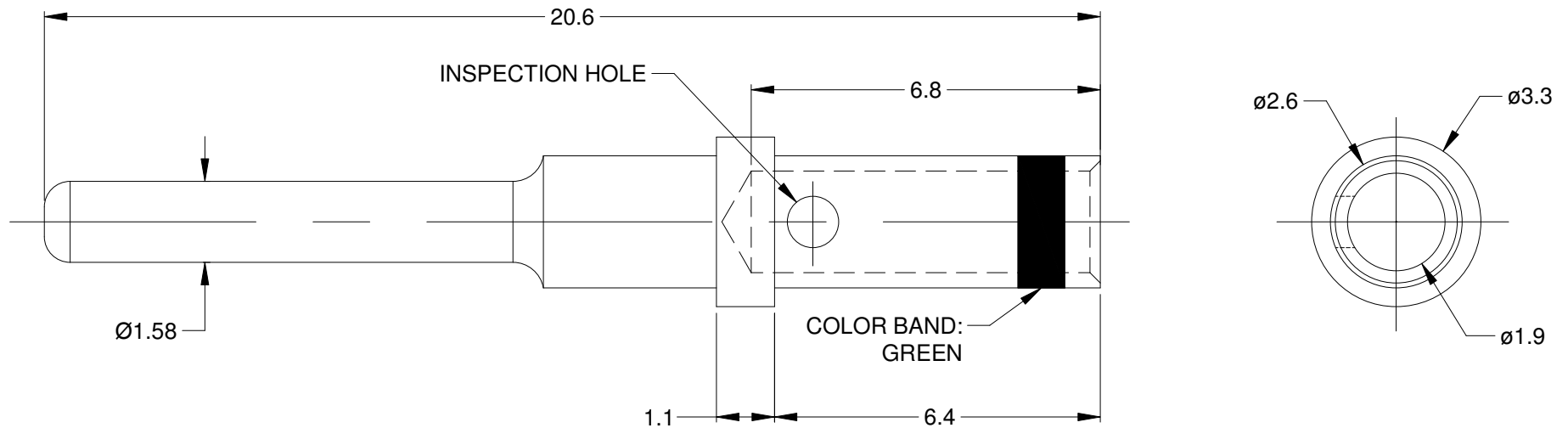


REVISIONS

REV	ECO	DESCRIPTION	DATE	BY	APPR
A4	-	RELEASE NEW DWG FORMAT	16/JUL/13	JARRY	-
A5	-	ADDED COLOR BAND	16DEC2015	JAH	-
A6	-	MATCHED DIMS TO NEW TOOLING	28JAN2015	JAH	-



NOTES: UNLESS OTHERWISE SPECIFIED

1. MATERIAL: COPPER ALLOY
2. PLATING: SEE PART NUMBER CHART
3. CONTACT SIZE: 16
4. SPECIFICATIONS:
  - 4.1 CURRENT RATING: 13 AMPS
  - 4.2 CONTACT MILLIVOLT DROP: 60 MILLIVOLT DROP @ 13 AMP TEST CURRENT.
  - 4.3 RoHS COMPLIANT
5. RECOMMENDED WIRE RANGE: 14 AWG
6. AVAILABLE HAND CRIMPER: CA-5D12
7. ALL DIMENSIONS ARE FOR REFERENCE USE ONLY

PART NUMBER CHART	
PLATING	PART NUMBER
GOLD	AT60-215-1631
NICKEL	AT60-215-16141

SEE PART NUMBER CHART		DESCRIPTION	ITEM
QUANTITY	PART NUMBER		

UNLESS OTHERWISE SPECIFIED		SIGNATURES		DATE	<h1>Amphenol</h1> <p>Sine Systems - www.amphenol-sine.com 44724 Morley Drive Clinton Township, MI 48036</p> <p>CONTACT, PIN, SOLID, SIZE 16, 14AWG, AT/AHD-9 SERIES</p>								
1) All dimensions are in metric(mm). 2) Tolerances are as follows: 1 PL DEC $\pm 0.30$ 2 PL DEC $\pm 0.15$ 3 PL DEC $\pm 0.08$ Fractions $\pm 1/64$ Angles $\pm 1^\circ$		DRAWN:	JARRY	16/JUL/13									
3) Note reference = $\triangle X$		CHECKED:											
MATERIAL SPECIFICATIONS:		ENGINEER:											
PROCESS SPECIFICATIONS:		APPROVAL:			<table border="1"> <tr> <td>SIZE</td> <td>TYPE</td> <td>DWG NO:</td> <td>REVISION</td> </tr> <tr> <td>A</td> <td>C-</td> <td>AT60-215-16XXX</td> <td>A6</td> </tr> </table>	SIZE	TYPE	DWG NO:	REVISION	A	C-	AT60-215-16XXX	A6
SIZE	TYPE	DWG NO:	REVISION										
A	C-	AT60-215-16XXX	A6										
NEXT ASSY:		CUSTOMER:			<table border="1"> <tr> <td>SCALE:</td> <td>NONE</td> <td>SHEET</td> <td>1</td> <td>OF</td> <td>1</td> </tr> </table>	SCALE:	NONE	SHEET	1	OF	1		
SCALE:	NONE	SHEET	1	OF	1								

## X-ON Electronics

Largest Supplier of Electrical and Electronic Components

*Click to view similar products for [Automotive Connectors](#) category:*

*Click to view products by [Amphenol](#) manufacturer:*

Other Similar products are found below :

[003-018-000](#) [60403001](#) [60993906-B](#) [M902-2131](#) [M902-2161](#) [72.330.1035.1](#) [73.353.4028.0](#) [F119300-B](#) [F166900](#) [F258300-B](#) [F358300-B](#)  
[F407400](#) [F444110](#) [F487000](#) [F509500B-B](#) [827153-1](#) [8N1515-32-24P](#) [9-1326729-8](#) [925474-1](#) [928905-1](#) [964562-4](#) [968782-1](#) [GT17SA-8DS-](#)  
[HU](#) [98891-1012](#) [98947-1016](#) [12004475-L](#) [12010290](#) [12010309-B](#) [12015454](#) [12020219-B](#) [12020308](#) [12041318-B](#) [12052225-L](#) [12052466](#)  
[12059125](#) [12064869](#) [12004327-B](#) [12010503-B](#) [12015308](#) [12015384](#) [12015909](#) [1-21030-1](#) [12041254](#) [12041318](#) [12047946-B](#) [12047957](#)  
[12047957-L](#) [12059473](#) [12066261](#) [12110546](#)