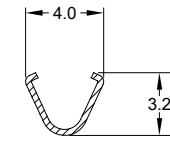
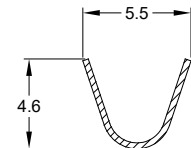
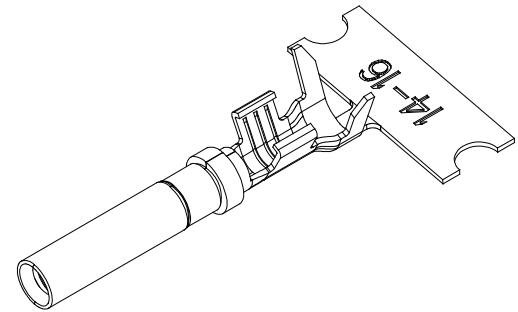
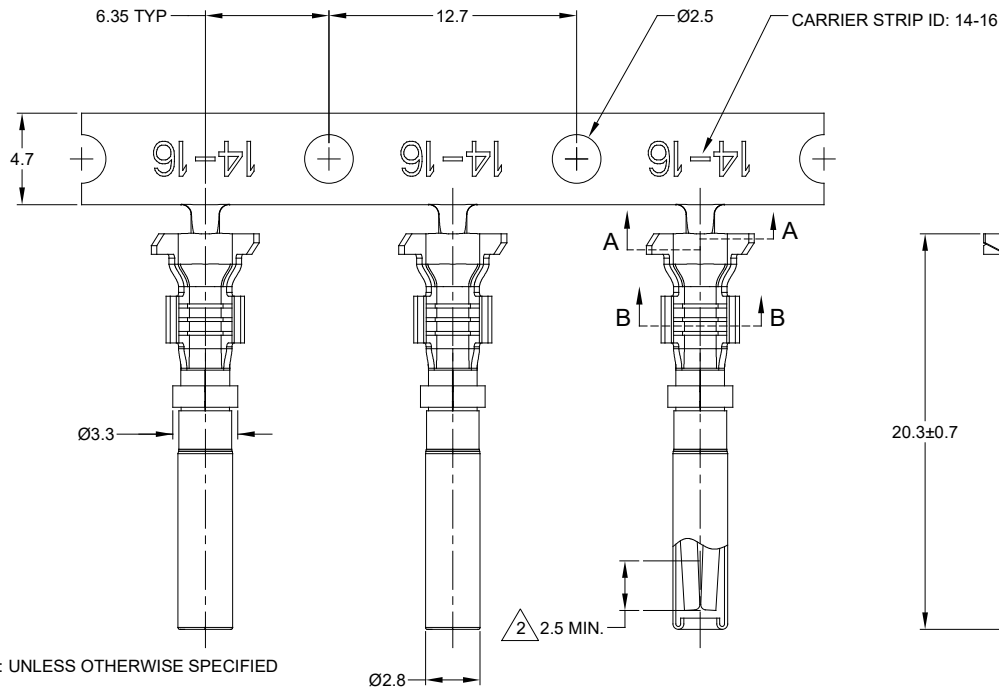


| REVISIONS | | | | | |
|-----------|--------|------------------------|-----------|-----|-------|
| REV | ECO | DESCRIPTION | DATE | BY | APPR |
| A3 | - | RELEASE NEW DWG FORMAT | 10/21/13 | DRP | - |
| A4 | - | REVISED PLATING INFO | 16/JUN/16 | JAH | - |
| A5 | C1070S | UPDATE DRAWING | 28/JUN/19 | JOE | TOMMY |

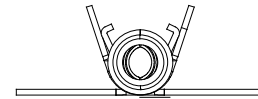


SECTION A-A

SECTION B-B

NOTES: UNLESS OTHERWISE SPECIFIED

- MATERIAL: COPPER ALLOY
- PLATING: SEE PART NUMBER CHART
*FOR GOLD PLATED CONTACTS: SELECTIVE GOLD FLASH IN CONTACT ZONE OR ENTIRE CONTACT.
- CONTACT SIZE: 16
- SPECIFICATIONS:
 - CURRENT RATING: 13 AMPS
 - CONTACT MILLIVOLT DROP: 100 MILLIVOLT DROP @ 13 AMP TEST CURRENT.
 - RoHS COMPLIANT
- RECOMMENDED WIRE RANGE: 14 - 16 AWG
- PACKAGE: 4000 PCS/REEL
- AVAILABLE APPLICATORS: MFX-3975-K OR MFX-3975-G
- ALL DIMENSIONS ARE FOR REFERENCE USE ONLY



| PART NUMBER CHART | |
|-------------------|--------------|
| PLATING | PART NUMBERS |
| NICKEL | AT62-14-0122 |
| GOLD | AT62-14-0144 |

| | | | |
|--|----------------|--|----------|
| SEE PART NUMBER CHART | | REF: 1052-14-0122, 1052-14-0144 | |
| PART NUMBER | | DESCRIPTION | |
| QUANTITY | MATERIALS LIST | | |
| UNLESS OTHERWISE SPECIFIED: 1) All dimensions are in metric (mm). 2) Tolerances are as follows: 1 PL DEC ±0.30 2 PL DEC ±0.15 3 PL DEC ±0.08 Fractions ±1/64 Angles ±1° | | SIGNATURES DATE | |
| 3) Note reference = | | DRAWN: JOE SONG 28/JUN/19 | |
| MATERIAL SPECIFICATIONS: | | CHECKED: ORION LI 28/JUN/19 | |
| PROCESS SPECIFICATIONS: | | ENGINEER: | |
| NEXT ASSY: | | APPROVAL: TOMMY XIE 28/JUN/19 | |
| THIS DRAWING IS SUPPLIED FOR INFORMATION ONLY. DESIGN FEATURES, SPECIFICATIONS AND PERFORMANCE DATA SHOWN HEREON ARE THE PROPERTY OF THE AMPHENOL CORPORATION. NO RIGHTS OF REPRODUCTION ARE IMPLIED. ALL DIMENSIONS ARE SUBJECT TO NORMAL MANUFACTURING VARIATIONS. | | CUSTOMER: | |
| Amphenol | | Sine Systems - www.amphenol-sine.com 44724 Morley Drive Clinton Township, MI 48036 | |
| CONTACT, SOCKET, STAMPED, SIZE 16, 14-16 AWG, A SERIES | | CUSTOMER: | |
| SIZE | TYPE | DWG NO: | REVISION |
| B | C- | AT62-14-01XX | A5 |
| SCALE: NONE | | SHEET 1 OF 1 | |

TITLE: SOCKET, STAMPED, SIZE 16, 14-16 AWG, A SERIES
DWG NO: AT62-14-01XX
REV: A5
SH: 1
OF: 1

X-ON Electronics

Largest Supplier of Electrical and Electronic Components

Click to view similar products for [Automotive Connectors](#) category:

Click to view products by [Amphenol](#) manufacturer:

Other Similar products are found below :

[003-018-000](#) [60403001](#) [60993906-B](#) [M902-2131](#) [M902-2161](#) [72.330.1035.1](#) [73.353.4028.0](#) [F119300-B](#) [F166900](#) [F258300-B](#) [F358300-B](#)
[F407400](#) [F444110](#) [F487000](#) [F509500B-B](#) [827153-1](#) [8N1515-32-24P](#) [9-1326729-8](#) [925474-1](#) [928905-1](#) [964562-4](#) [968782-1](#) [GT17SA-8DS-](#)
[HU](#) [98891-1012](#) [98947-1016](#) [12004475-L](#) [12010290](#) [12010309-B](#) [12015454](#) [12020219-B](#) [12020308](#) [12041318-B](#) [12052225-L](#) [12052466](#)
[12059125](#) [12064869](#) [12004327-B](#) [12010503-B](#) [12015308](#) [12015384](#) [12015909](#) [1-21030-1](#) [12041254](#) [12041318](#) [12047946-B](#) [12047957](#)
[12047957-L](#) [12059473](#) [12066261](#) [12110546](#)