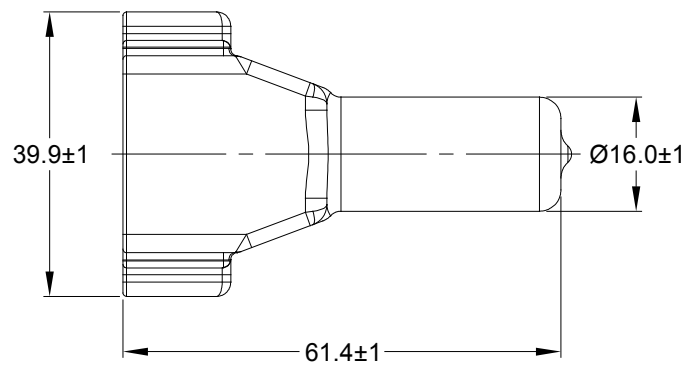
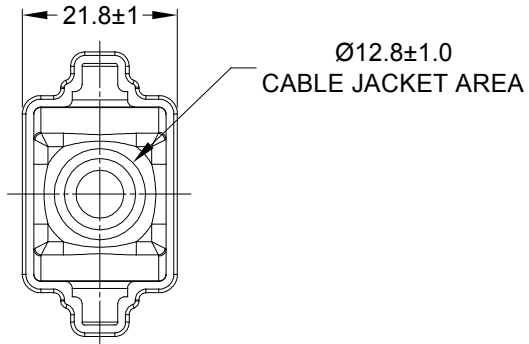
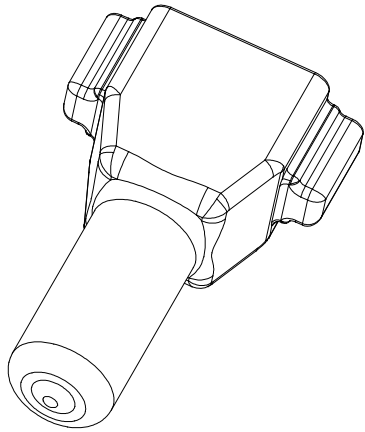


| REVISIONS |     |                |         |       |       |
|-----------|-----|----------------|---------|-------|-------|
| REV       | ECO | DESCRIPTION    | DATE    | BY    | APPR  |
| A1        | -   | RELEASE NUMBER | 28AUG19 | BROOK | TOMMY |



| PART NUMBER CHART |             |
|-------------------|-------------|
| COLOR             | PART NUMBER |
| GREY              | AT8S-BT     |
| BLACK             | AT8S-BT-BK  |
| YELLOW            | AT8S-BT-YW  |

NOTES: UNLESS OTHERWISE SPECIFIED

- THIS PART IS USED ON AT06-08S PLUG WITH ANY MODIFICATION THAT DOES NOT INCLUDE AN END CAP.
- TEMPERATURE RATING : -29°C TO +100°C [-20°F TO +212°F]
- ALL DIMENSIONS ARE FOR REFERENCE USE ONLY.

|  |                       |  |  |   |
|--|-----------------------|--|--|---|
| SEE PART NUMBER CHART  |                       | REF: DT8S-BT , DT8S-BT-BK , DT8S-BT-YW   |  |   |
| PART NUMBER  |                       | DESCRIPTION  |  | ITEM  |
| QUANTITY   | <b>MATERIALS LIST</b> |  |  |   |
| <b>UNLESS OTHERWISE SPECIFIED</b><br>1) All dimensions are in metric(mm).<br>2) Tolerances are as follows:<br>1 PL DEC ±0.30<br>2 PL DEC ±0.15<br>3 PL DEC ±0.08<br>Fractions ±1/64<br>Angles ±1°<br>3) Note reference = |                       | <b>SIGNATURES</b><br>DRAWN: <b>BROOK.DING</b><br>CHECKED: <b>ORION.LI</b><br>ENGINEER:<br>APPROVAL: <b>TOMMY.XIE</b><br>CUSTOMER:  |  | <b>DATE</b><br>28AUG19<br>28AUG19<br>28AUG19  |
| MATERIAL SPECIFICATIONS:<br><b>PVC</b>   |                       | THIS DRAWING IS SUPPLIED FOR INFORMATION ONLY. DESIGN FEATURES, SPECIFICATIONS AND PERFORMANCE DATA SHOWN HEREON ARE THE PROPERTY OF THE AMPHENOL CORPORATION. NO RIGHTS OF REPRODUCTION ARE IMPLIED. ALL DIMENSIONS ARE SUBJECT TO NORMAL MANUFACTURING VARIATIONS. |  | <b>Amphenol</b><br>Sine Systems - www.amphenol-sine.com<br>44724 Morley Drive<br>Clinton Township, MI 48036 |
| PROCESS SPECIFICATIONS:  |                       | SIZE: <b>A C-</b><br>TYPE: <b>C-</b><br>DWG NO: <b>AT8S-BT-XX</b><br>REVISION: <b>A1</b>   |  | BOOT ,AT ,8 WAY ,PLUG   |
| NEXT ASSY:   |                       | SCALE: <b>NONE</b>   |  | SHEET <b>1</b> OF <b>1</b>  |

## X-ON Electronics

Largest Supplier of Electrical and Electronic Components

*Click to view similar products for [Automotive Connectors](#) category:*

*Click to view products by [Amphenol](#) manufacturer:*

Other Similar products are found below :

[003-018-000](#) [60403001](#) [60993906-B](#) [M902-2131](#) [M902-2161](#) [72.330.1035.1](#) [73.353.4028.0](#) [F119300-B](#) [F166900](#) [F258300-B](#) [F358300-B](#)  
[F407400](#) [F444110](#) [F487000](#) [F509500B-B](#) [827153-1](#) [8N1515-32-24P](#) [9-1326729-8](#) [925474-1](#) [928905-1](#) [964562-4](#) [968782-1](#) [GT17SA-8DS-](#)  
[HU](#) [98891-1012](#) [98947-1016](#) [12004475-L](#) [12010290](#) [12010309-B](#) [12015454](#) [12020219-B](#) [12020308](#) [12041318-B](#) [12052225-L](#) [12052466](#)  
[12059125](#) [12064869](#) [12004327-B](#) [12010503-B](#) [12015308](#) [12015384](#) [12015909](#) [1-21030-1](#) [12041254](#) [12041318](#) [12047946-B](#) [12047957](#)  
[12047957-L](#) [12059473](#) [12066261](#) [12110546](#)