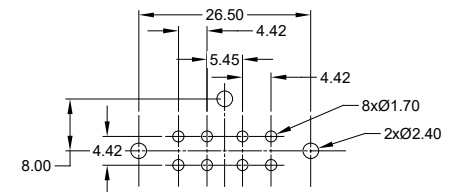
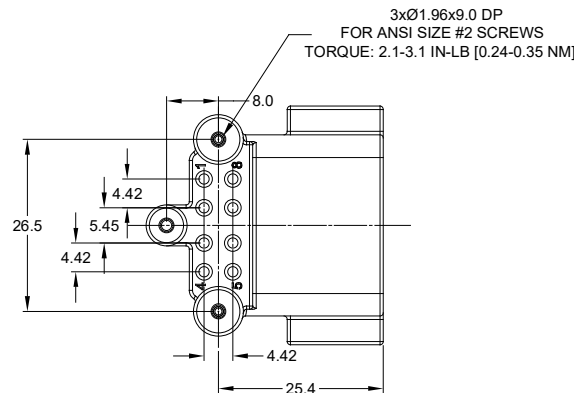


REVISIONS					
REV	ECO	DESCRIPTION	DATE	BY	APPR
A1	-	RELEASE	25/MAR/19	BROOK	TOMMY
A2	-	MODIFIED DESCRIPTION	12JUL19	BROOK	TOMMY

NOTES: UNLESS OTHERWISE SPECIFIED

SEE SHEET 2 FOR KEY ARRANGEMENTS AND COLORS.

2. MATERIAL:
  - HOUSING: THERMOPLASTIC; COLOR: SEE SHEET 2
  - CONTACT: COPPER ALLOY
  - PLATING: NICKEL UNDERPLATE
  - SEE CHART FOR OVERALL FINISH
3. MODIFICATIONS: RIGHT ANGLE PCB MOUNT, SCREW BOSS
4. SPECIFICATIONS:
  - 4.1 CURRENT RATING: 13 AMPS
  - 4.2 OPERATING TEMPERATURE: -55°C TO +125°C
  - 4.3 DIELECTRIC WITHSTANDING VOLTAGE: LESS THAN 2 MILLIAMPS CURRENT LEAKAGE @ 1500 VOLTS AC.
  - 4.4 INSULATION RESISTANCE: 1000 MEGOHMS MIN @ 25°C.
  - 4.5 MOISTURE RESISTANCE: IP67 ( MATED CONDITION )
  - 4.6 MATING CYCLE DURABILITY: 100 CYCLES
  - 4.7 RoHS COMPLIANT
5. MATING PART: AT06-08SX\* PLUG  
( X = A,B,C,D KEYS; \* = MODIFICATIONS AND COLORS )
6. ALL DIMENSIONS ARE FOR REFERENCE USE ONLY.



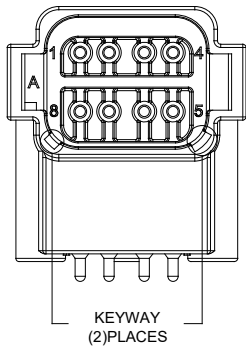
RECOMMENDED PCB LAYOUT

SEE PART NUMBER CHART		DESCRIPTION		ITEM
QUANTITY	PART NUMBER	MATERIALS LIST		
UNLESS OTHERWISE SPECIFIED		SIGNATURES		DATE
1) All dimensions are in metric (mm).		DRAWN:	BROOK.DING	12/JUL/19
2) Tolerances are as follows:		CHECKED:	ORION.LI	12/JUL/19
1 PL DEC ±0.30   Fractions ±1/64		ENGINEER:		
2 PL DEC ±0.15   Angles ±1°		APPROVAL:	TOMMY.XIE	12/JUL/19
3 PL DEC ±0.08		CUSTOMER:		
3) Note reference =		THIS DRAWING IS SUPPLIED FOR INFORMATION ONLY. DESIGN FEATURES, SPECIFICATIONS AND PERFORMANCE DATA SHOWN HEREON ARE THE PROPERTY OF THE AMPHENOL CORPORATION. NO RIGHTS OF REPRODUCTION ARE IMPLIED. ALL DIMENSIONS ARE SUBJECT TO NORMAL MANUFACTURING VARIATIONS.		
MATERIAL SPECIFICATIONS:		Sine Systems - www.amphenol-sine.com 44724 Morley Drive Clinton Township, MI 48036		
PROCESS SPECIFICATIONS:		RIGHT ANGLE RECEPTACLE, AT 8 PIN, SCREW BOSS, BOARDLOCK, EXT. HGT		
NEXT ASSY:		SIZE	TYPE	DWG NO.
		B	C-	ATF13-08PX-BM3X
		SCALE	NONE	REVISION A2
		SHEET 1 OF 2		

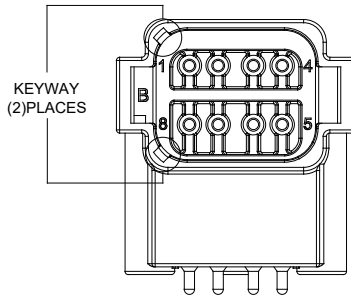
TITLE: RIGHT ANGLE RECEPT, AT 8 PIN, SCREW BOSS, BOARDLOCK, EXT.HGT  
DWG NO: ATF13-08PX-BM3X  
REV: A2  
SH: 1  
OF: 2

REVISIONS					
REV	ECO	DESCRIPTION	DATE	BY	APPR
A1	-	RELEASE	25/MAR/19	BROOK	TOMMY
A2	-	MODIFIED DESCRIPTION	12JUL19	BROOK	TOMMY

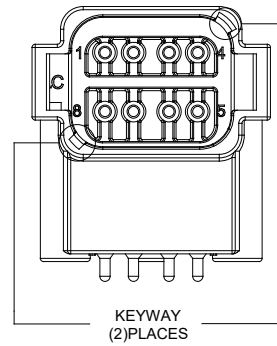
P/N ATF13-08PA-BM3X  
KEY-A CONFIGURATION  
COLOR: GREY



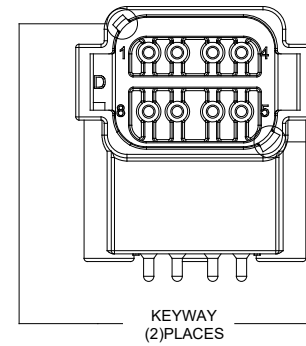
P/N ATF13-08PB-BM3X  
KEY-B CONFIGURATION  
COLOR: BLACK



P/N ATF13-08PC-BM3X  
KEY-C CONFIGURATION  
COLOR: GREEN



P/N ATF13-08PD-BM3X  
KEY-D CONFIGURATION  
COLOR: BROWN



ATF13-08PA-BM3X VARIANTS	
CONTACT PLATING	PART NUMBER
GOLD	ATF13-08PA-BM31
TIN	ATF13-08PA-BM33

ATF13-08PB-BM3X VARIANTS	
CONTACT PLATING	PART NUMBER
GOLD	ATF13-08PB-BM31
TIN	ATF13-08PB-BM33

ATF13-08PC-BM3X VARIANTS	
CONTACT PLATING	PART NUMBER
GOLD	ATF13-08PC-BM31
TIN	ATF13-08PC-BM33

ATF13-08PD-BM3X VARIANTS	
CONTACT PLATING	PART NUMBER
GOLD	ATF13-08PD-BM31
TIN	ATF13-08PD-BM33

SEE PART NUMBER CHART		PART NUMBER		DESCRIPTION		ITEM
QUANTITY		MATERIALS LIST		Amphenol		
UNLESS OTHERWISE SPECIFIED: 1) All dimensions are in metric(mm). 2) Tolerances are as follows: 1 PL DEC ±0.30 Fractions ±1/64 Angles ±1° 3) Note reference =		SIGNATURES		DATE		
DRAWN: BROOK DING		ORION LI		12/JUL/19		
CHECKED:		APPROVAL: TOMMY XIE		12/JUL/19		
ENGINEER:		CUSTOMER:				
MATERIAL SPECIFICATIONS:		THIS DRAWING IS SUPPLIED FOR INFORMATION ONLY. DESIGN FEATURES, SPECIFICATIONS AND PERFORMANCE DATA SHOWN HEREON ARE THE PROPERTY OF THE AMPHENOL CORPORATION. NO RIGHTS OF REPRODUCTION ARE IMPLIED. ALL DIMENSIONS ARE SUBJECT TO NORMAL MANUFACTURING VARIATIONS.		RIGHT ANGLE RECEPTACLE, AT 8 PIN, SCREW BOSS, BOARD LOCK, EXT. HGT		
PROCESS SPECIFICATIONS:		SIZE B C-		DWG NO. ATF13-8PX-BM3X		REVISION A2
NEXT ASSY:		SCALE NONE		SHEET 2 OF 2		

TITLE: RIGHT ANGLE RECEPT AT 8 PIN SCREW BOSS BOARD LOCK EXT HGT  
DWG NO: ATF13-8PX-BM3X  
REV: A2  
SH: 2  
OF: 2

## X-ON Electronics

Largest Supplier of Electrical and Electronic Components

*Click to view similar products for [Automotive Connectors](#) category:*

*Click to view products by [Amphenol](#) manufacturer:*

Other Similar products are found below :

[003-018-000](#) [60403001](#) [60993906-B](#) [M902-2131](#) [M902-2161](#) [72.330.1035.1](#) [73.353.4028.0](#) [F119300-B](#) [F166900](#) [F258300-B](#) [F358300-B](#)  
[F407400](#) [F444110](#) [F487000](#) [F509500B-B](#) [827153-1](#) [8N1515-32-24P](#) [9-1326729-8](#) [925474-1](#) [928905-1](#) [964562-4](#) [968782-1](#) [GT17SA-8DS-](#)  
[HU](#) [98891-1012](#) [98947-1016](#) [12004475-L](#) [12010290](#) [12010309-B](#) [12015454](#) [12020219-B](#) [12020308](#) [12041318-B](#) [12052225-L](#) [12052466](#)  
[12059125](#) [12064869](#) [12004327-B](#) [12010503-B](#) [12015308](#) [12015384](#) [12015909](#) [1-21030-1](#) [12041254](#) [12041318](#) [12047946-B](#) [12047957](#)  
[12047957-L](#) [12059473](#) [12066261](#) [12110546](#)