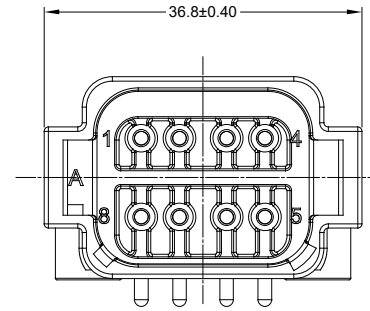
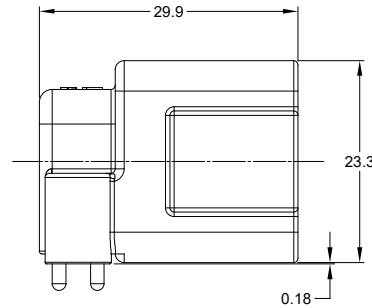
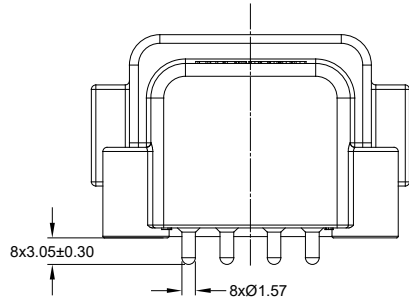
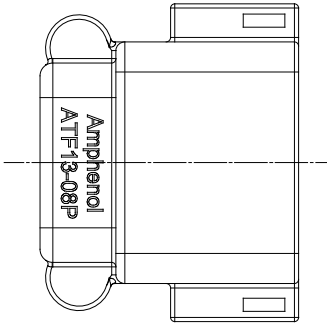
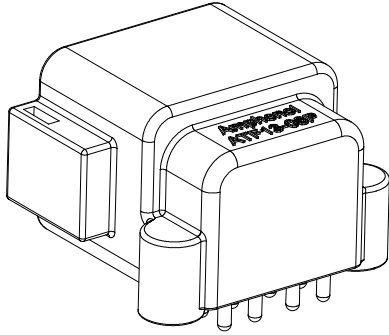


| REVISIONS | | | | | |
|-----------|-----|----------------------|-----------|-------|-------|
| REV | ECO | DESCRIPTION | DATE | BY | APPR |
| A1 | - | RELEASE | 2JUL2018 | JAH | |
| A2 | - | UPDATE DRAWING | 18/MAR/19 | BROOK | TOMMY |
| A3 | - | MODIFIED DESCRIPTION | 12JUL19 | BROOK | TOMMY |



NOTES: UNLESS OTHERWISE SPECIFIED

1 SEE SHEET 2 FOR KEY ARRANGEMENTS AND COLORS.

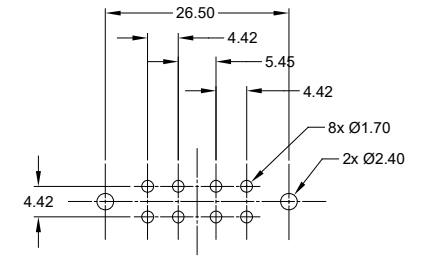
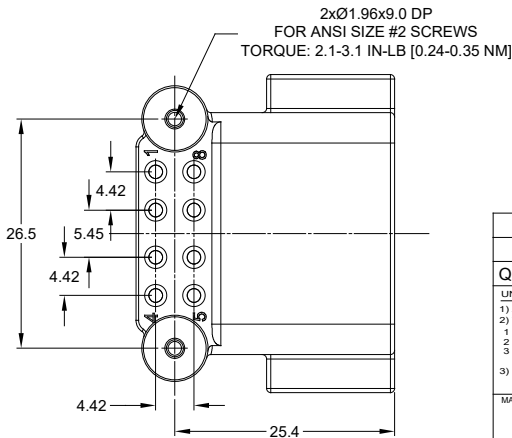
2. MATERIAL:
 HOUSING: THERMOPLASTIC; COLOR: SEE SHEET 2
 CONTACT: COPPER ALLOY
 PLATING: NICKEL UNDERPLATE
 SEE CHART FOR OVERALL FINISH

3. MODIFICATIONS: RIGHT ANGLE PCB MOUNT, SCREW BOSS

4. SPECIFICATIONS:
 4.1 CURRENT RATING: 13 AMPS
 4.2 OPERATING TEMPERATURE: -55°C TO +125°C
 4.3 DIELECTRIC WITHSTANDING VOLTAGE: LESS THAN 2 MILLIAMPS CURRENT LEAKAGE @ 1500 VOLTS AC.
 4.4 INSULATION RESISTANCE: 1000 MEGOHMS MIN @ 25°C.
 4.5 MOISTURE RESISTANCE: IP67 (MATED CONDITION)
 4.6 MATING CYCLE DURABILITY: 100 CYCLES
 4.7 RoHS COMPLIANT

5. MATING PART: AT06-08SX* PLUG
 (X = A,B,C,D KEYS; * = MODIFICATIONS AND COLORS)

6. ALL DIMENSIONS ARE FOR REFERENCE USE ONLY.



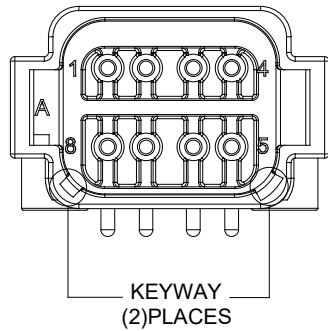
RECOMMENDED PCB LAYOUT

| SEE PART NUMBER CHART | | DESCRIPTION | | ITEM |
|---------------------------------------|----------------|--|-----------|----------------|
| PART NUMBER | | DESCRIPTION | | ITEM |
| QUANTITY | MATERIALS LIST | | | |
| UNLESS OTHERWISE SPECIFIED | | SIGNATURES | | DATE |
| 1) All dimensions are in metric (mm). | | DRAWN: BROOKDING | 12/JUL/19 | |
| 2) Tolerances are as follows: | | CHECKED: ORIONLI | 12/JUL/19 | |
| 1 PL DEC ±0.30 Fractions ±1/64 | | ENGINEER: | | |
| 2 PL DEC ±0.15 Angles ±1° | | APPROVAL: TOMMY.XIE | 12/JUL/19 | |
| 3) Note reference = | | CUSTOMER: | | |
| MATERIAL SPECIFICATIONS: | | THIS DRAWING IS SUPPLIED FOR INFORMATION ONLY. DESIGN FEATURES, SPECIFICATIONS AND PERFORMANCE DATA SHOWN HEREON ARE THE PROPERTY OF THE AMPHENOL CORPORATION. NO RIGHTS OF REPRODUCTION ARE IMPLIED. ALL DIMENSIONS ARE SUBJECT TO NORMAL MANUFACTURING VARIATIONS. | | |
| PROCESS SPECIFICATIONS: | | SIZE | TYPE | DWG NO. |
| NEXT ASSY: | | B | C- | ATF13-8PX-BM1X |
| | | SCALE | NONE | REVISION |
| | | | | A3 |
| | | | | SHEET 1 OF 2 |

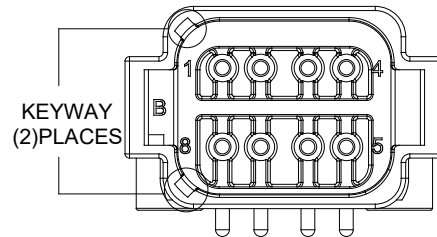
TITLE: RIGHT ANGLE RECEPT. AT 8 PIN, SCREW BOSS, BOARDLOCK
 DWG NO.: ATF13-8PX-BM1X
 REV: A3
 SH: 1
 OF: 2

| REVISIONS | | | | | |
|-----------|-----|----------------------|-----------|-------|-------|
| REV | ECO | DESCRIPTION | DATE | BY | APPR |
| A1 | - | RELEASE | 2JUL2018 | JAH | |
| A2 | - | UPDATE DRAWING | 18/MAR/19 | BROOK | TOMMY |
| A3 | - | MODIFIED DESCRIPTION | 12JUL19 | BROOK | TOMMY |

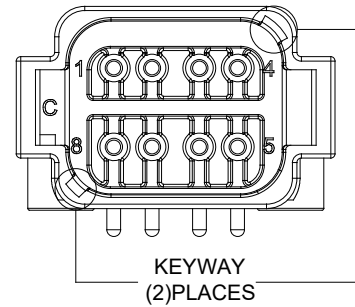
P/N ATF13-08PA-BM1X
KEY-A CONFIGURATION
COLOR: GREY



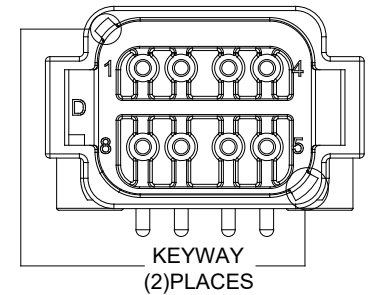
P/N ATF13-08PB-BM1X
KEY-B CONFIGURATION
COLOR: BLACK



P/N ATF13-08PC-BM1X
KEY-C CONFIGURATION
COLOR: GREEN



P/N ATF13-08PD-BM1X
KEY-D CONFIGURATION
COLOR: BROWN



| ATF13-08PA-BM1X VARIANTS | |
|--------------------------|-----------------|
| CONTACT PLATING | PART NUMBER |
| GOLD | ATF13-08PA-BM11 |
| TIN | ATF13-08PA-BM13 |

| ATF13-08PB-BM1X VARIANTS | |
|--------------------------|-----------------|
| CONTACT PLATING | PART NUMBER |
| GOLD | ATF13-08PB-BM11 |
| TIN | ATF13-08PB-BM13 |

| ATF13-08PC-BM1X VARIANTS | |
|--------------------------|-----------------|
| CONTACT PLATING | PART NUMBER |
| GOLD | ATF13-08PC-BM11 |
| TIN | ATF13-08PC-BM13 |

| ATF13-08PD-BM1X VARIANTS | |
|--------------------------|-----------------|
| CONTACT PLATING | PART NUMBER |
| GOLD | ATF13-08PD-BM11 |
| TIN | ATF13-08PD-BM13 |

| | | | | | | |
|--|----------------|-------------------|---------------------|--|---------------------|-----------------|
| SEE PART NUMBER CHART | | PART NUMBER | | DESCRIPTION | | ITEM |
| QUANTITY | MATERIALS LIST | | | | | |
| UNLESS OTHERWISE SPECIFIED: 1) All dimensions are in metric (mm). 2) Tolerances are as follows: 1 PL DEC ±0.30 Fractions ±1/64 2 PL DEC ±0.15 Angles ±1° 3 PL DEC ±0.08 | | SIGNATURES | DATE | Amphenol Sine Systems - www.amphenol-sine.com 44724 Morley Drive Clinton Township, MI 48036 RIGHT ANGLE RECEPTACLE, AT 8 PIN, SCREW BOSS, BOARDLOCK | | |
| 3) Note reference = | | DRAWN: BROOK.DING | 12/JUL/19 | | | |
| MATERIAL SPECIFICATIONS: | | CHECKED: ORION.LI | 12/JUL/19 | | | |
| PROCESS SPECIFICATIONS: | | ENGINEER: | APPROVAL: TOMMY.XIE | | | |
| NEXT ASSY: | | CUSTOMER: | | THIS DRAWING IS SUPPLIED FOR INFORMATION ONLY. DESIGN FEATURES, SPECIFICATIONS AND PERFORMANCE DATA SHOWN HEREON ARE THE PROPERTY OF THE AMPHENOL CORPORATION. NO RIGHTS OF REPRODUCTION ARE IMPLIED. ALL DIMENSIONS ARE SUBJECT TO NORMAL MANUFACTURING VARIATIONS. | SIZE: B C- | TYPE: C- |
| | | SCALE: NONE | | DWG NO: ATF13-8PX-BM1X | REVISION: A3 | |
| | | SHEET 2 OF 2 | | | | |

TITLE: RIGHT ANGLE RECEPT, AT 8 PIN, SCREW BOSS, BOARDLOCK
DWG NO: ATF13-8PX-BM1X
REV: A3
SH: 2
OF: 2

X-ON Electronics

Largest Supplier of Electrical and Electronic Components

Click to view similar products for [Automotive Connectors](#) category:

Click to view products by [Amphenol](#) manufacturer:

Other Similar products are found below :

[003-018-000](#) [60403001](#) [60993906-B](#) [M902-2131](#) [M902-2161](#) [72.330.1035.1](#) [73.353.4028.0](#) [F119300-B](#) [F166900](#) [F258300-B](#) [F358300-B](#)
[F407400](#) [F444110](#) [F487000](#) [F509500B-B](#) [827153-1](#) [8N1515-32-24P](#) [9-1326729-8](#) [925474-1](#) [928905-1](#) [964562-4](#) [968782-1](#) [GT17SA-8DS-](#)
[HU](#) [98891-1012](#) [98947-1016](#) [12004475-L](#) [12010290](#) [12010309-B](#) [12015454](#) [12020219-B](#) [12020308](#) [12041318-B](#) [12052225-L](#) [12052466](#)
[12059125](#) [12064869](#) [12004327-B](#) [12010503-B](#) [12015308](#) [12015384](#) [12015909](#) [1-21030-1](#) [12041254](#) [12041318](#) [12047946-B](#) [12047957](#)
[12047957-L](#) [12059473](#) [12066261](#) [12110546](#)