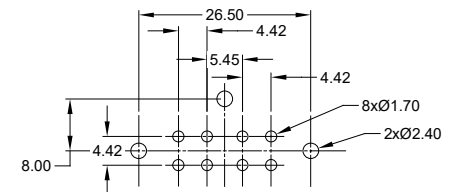
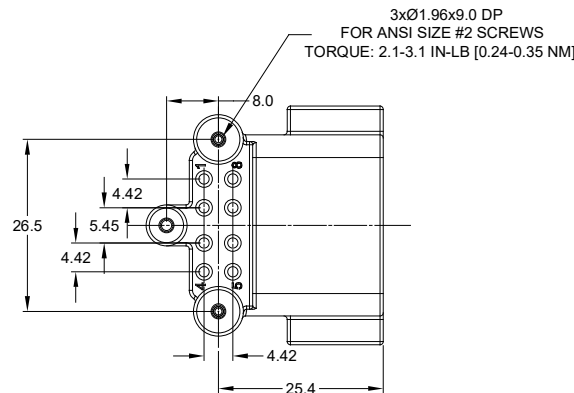


REVISIONS					
REV	ECO	DESCRIPTION	DATE	BY	APPR
A1	-	RELEASE	25/MAR/19	BROOK	TOMMY
A2	-	MODIFIED DESCRIPTION	12JUL19	BROOK	TOMMY

NOTES: UNLESS OTHERWISE SPECIFIED

SEE SHEET 2 FOR KEY ARRANGEMENTS AND COLORS.

2. MATERIAL:
  - HOUSING: THERMOPLASTIC; COLOR: SEE SHEET 2
  - CONTACT: COPPER ALLOY
  - PLATING: NICKEL UNDERPLATE
  - SEE CHART FOR OVERALL FINISH
3. MODIFICATIONS: RIGHT ANGLE PCB MOUNT, SCREW BOSS
4. SPECIFICATIONS:
  - 4.1 CURRENT RATING: 13 AMPS
  - 4.2 OPERATING TEMPERATURE: -55°C TO +125°C
  - 4.3 DIELECTRIC WITHSTANDING VOLTAGE: LESS THAN 2 MILLIAMPS CURRENT LEAKAGE @ 1500 VOLTS AC.
  - 4.4 INSULATION RESISTANCE: 1000 MEGOHMS MIN @ 25°C.
  - 4.5 MOISTURE RESISTANCE: IP67 ( MATED CONDITION )
  - 4.6 MATING CYCLE DURABILITY: 100 CYCLES
  - 4.7 RoHS COMPLIANT
5. MATING PART: AT06-08SX\* PLUG  
( X = A,B,C,D KEYS; \* = MODIFICATIONS AND COLORS )
6. ALL DIMENSIONS ARE FOR REFERENCE USE ONLY.



RECOMMENDED PCB LAYOUT

SEE PART NUMBER CHART		PART NUMBER		DESCRIPTION		ITEM
QUANTITY	MATERIALS LIST					
UNLESS OTHERWISE SPECIFIED		SIGNATURES		DATE		
1) All dimensions are in metric (mm).		DRAWN: BROOK.DING		12/JUL/19		
2) Tolerances are as follows:		CHECKED: ORION.LI		12/JUL/19		
1 PL DEC ±0.30   Fractions ±1/64		ENGINEER:				
2 PL DEC ±0.15   Angles ±1°		APPROVAL: TOMMY.XIE		12/JUL/19		
3 PL DEC ±0.08		CUSTOMER:				
3) Note reference =		MATERIAL SPECIFICATIONS:		THIS DRAWING IS SUPPLIED FOR INFORMATION ONLY. DESIGN FEATURES, SPECIFICATIONS AND PERFORMANCE DATA SHOWN HEREON ARE THE PROPERTY OF THE AMPHENOL CORPORATION. NO RIGHTS OF REPRODUCTION ARE IMPLIED. ALL DIMENSIONS ARE SUBJECT TO NORMAL MANUFACTURING VARIATIONS.		
PROCESS SPECIFICATIONS:		NEXT ASSY:		SIZE: B C- TYPE: NONE		REVISION: A2
				DWG NO: ATF13-08PX-BM3X		
				SCALE: NONE		SHEET 1 OF 2

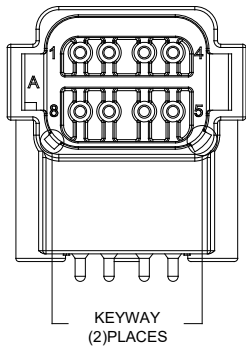
TITLE: RIGHT ANGLE RECEPT, AT 8 PIN, SCREW BOSS, BOARDLOCK, EXT. HGT  
DWG NO: ATF13-08PX-BM3X  
REV: A2  
SH: 1  
OF: 2

**Amphenol**  
Sine Systems - www.amphenol-sine.com  
44724 Morley Drive  
Clinton Township, MI 48036

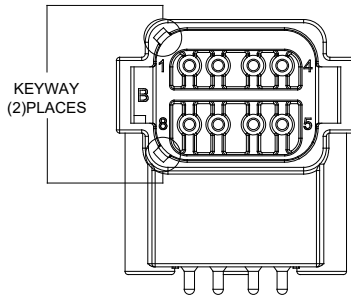
RIGHT ANGLE RECEPTACLE, AT 8 PIN,  
SCREW BOSS, BOARDLOCK, EXT. HGT

REVISIONS					
REV	ECO	DESCRIPTION	DATE	BY	APPR
A1	-	RELEASE	25/MAR/19	BROOK	TOMMY
A2	-	MODIFIED DESCRIPTION	12JUL19	BROOK	TOMMY

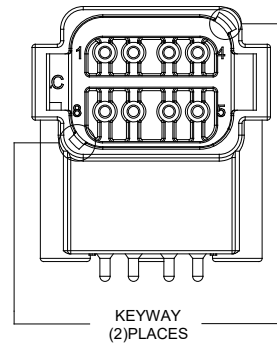
P/N ATF13-08PA-BM3X  
KEY-A CONFIGURATION  
COLOR: GREY



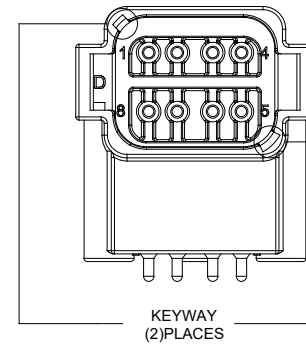
P/N ATF13-08PB-BM3X  
KEY-B CONFIGURATION  
COLOR: BLACK



P/N ATF13-08PC-BM3X  
KEY-C CONFIGURATION  
COLOR: GREEN



P/N ATF13-08PD-BM3X  
KEY-D CONFIGURATION  
COLOR: BROWN



ATF13-08PA-BM3X VARIANTS	
CONTACT PLATING	PART NUMBER
GOLD	ATF13-08PA-BM31
TIN	ATF13-08PA-BM33

ATF13-08PB-BM3X VARIANTS	
CONTACT PLATING	PART NUMBER
GOLD	ATF13-08PB-BM31
TIN	ATF13-08PB-BM33

ATF13-08PC-BM3X VARIANTS	
CONTACT PLATING	PART NUMBER
GOLD	ATF13-08PC-BM31
TIN	ATF13-08PC-BM33

ATF13-08PD-BM3X VARIANTS	
CONTACT PLATING	PART NUMBER
GOLD	ATF13-08PD-BM31
TIN	ATF13-08PD-BM33

SEE PART NUMBER CHART		PART NUMBER		DESCRIPTION		ITEM
QUANTITY		MATERIALS LIST		Amphenol		
UNLESS OTHERWISE SPECIFIED: 1) All dimensions are in metric(mm). 2) Tolerances are as follows: 1 PL DEC ±0.30 Fractions ±1/64 2 PL DEC ±0.15 Angles ±1° 3) Note reference =		SIGNATURES		DATE		
DRAWN: BROOK DING		12/JUL/19				
CHECKED: ORION LI		12/JUL/19				
ENGINEER:		APPROVAL: TOMMY XIE		12/JUL/19		
MATERIAL SPECIFICATIONS:		CUSTOMER:				
PROCESS SPECIFICATIONS:		THIS DRAWING IS SUPPLIED FOR INFORMATION ONLY. DESIGN FEATURES, SPECIFICATIONS AND PERFORMANCE DATA SHOWN HEREON ARE THE PROPERTY OF THE AMPHENOL CORPORATION. NO RIGHTS OF REPRODUCTION ARE IMPLIED. ALL DIMENSIONS ARE SUBJECT TO NORMAL MANUFACTURING VARIATIONS.				
NEXT ASSY:		SCALE: NONE		SHEET 2 OF 2		
		SIZE: B C-		DWG NO: ATF13-8PX-BM3X		REVISION: A2

TITLE: RIGHT ANGLE RECEPT AT 8 PIN SCREW BOSS BOARD LOCK EXT HGT  
DWG NO: ATF13-8PX-BM3X  
REV: A2  
SH: 2  
OF: 2

## X-ON Electronics

Largest Supplier of Electrical and Electronic Components

*Click to view similar products for [Automotive Connectors](#) category:*

*Click to view products by [Amphenol](#) manufacturer:*

Other Similar products are found below :

[003-018-000](#) [60403001](#) [60993906-B](#) [M902-2131](#) [M902-2161](#) [72.330.1035.1](#) [73.353.4028.0](#) [F119300-B](#) [F166900](#) [F258300-B](#) [F358300-B](#)  
[F407400](#) [F444110](#) [F487000](#) [F509500B-B](#) [827153-1](#) [8N1515-32-24P](#) [9-1326729-8](#) [925474-1](#) [928905-1](#) [964562-4](#) [968782-1](#) [GT17SA-8DS-](#)  
[HU](#) [98891-1012](#) [98947-1016](#) [12004475-L](#) [12010290](#) [12010309-B](#) [12015454](#) [12020219-B](#) [12020308](#) [12041318-B](#) [12052225-L](#) [12052466](#)  
[12059125](#) [12064869](#) [12004327-B](#) [12010503-B](#) [12015308](#) [12015384](#) [12015909](#) [1-21030-1](#) [12041254](#) [12041318](#) [12047946-B](#) [12047957](#)  
[12047957-L](#) [12059473](#) [12066261](#) [12110546](#)