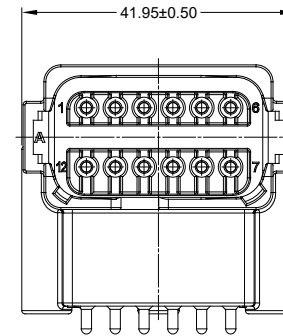
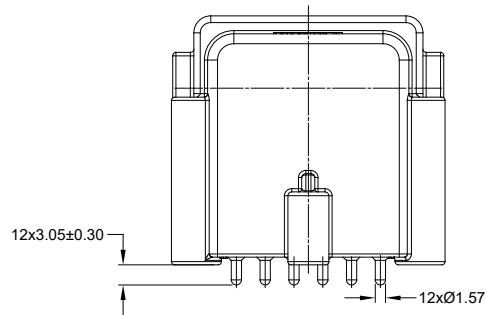


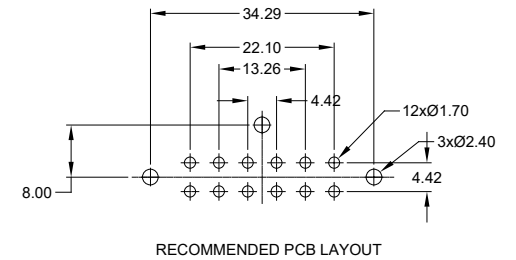
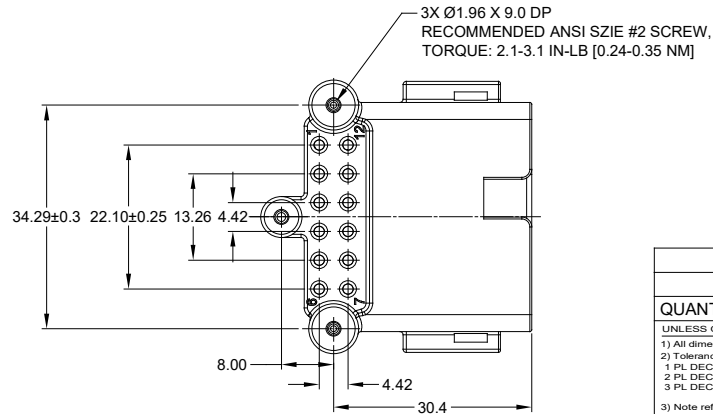
REVISIONS					
REV	ECO	DESCRIPTION	DATE	BY	APPR
A1	-	RELEASE	25/MAR/19	BROOK	TOMMY
A2	-	MODIFIED DESCRIPTION	12JUL19	BROOK	TOMMY



NOTES: UNLESS OTHERWISE SPECIFIED

SEE SHEET 2 FOR KEY ARRANGEMENTS AND COLORS.

- MATERIAL:  
HOUSING: THERMOPLASTIC; COLOR: SEE SHEET 2  
CONTACT: COPPER ALLOY  
PLATING: NICKEL UNDERPLATE  
SEE CHART FOR OVERALL FINISH
- MODIFICATIONS: RIGHT ANGLE PCB MOUNT,  
EXTENDED SCREW BOSS
- SPECIFICATIONS:  
4.1 CURRENT RATING: 13 AMPS  
4.2 OPERATING TEMPERATURE: -55°C TO +125°C  
4.3 DIELECTRIC WITHSTANDING VOLTAGE: LESS THAN 2 MILLIAMPS CURRENT LEAKAGE @ 1500 VOLTS AC.  
4.4 INSULATION RESISTANCE: 1000 MEGOHMS MIN @ 25°C.  
4.5 MOISTURE RESISTANCE: IP67 ( MATED CONDITION )  
4.6 MATING CYCLE DURABILITY: 100 CYCLES  
4.7 RoHS COMPLIANT
- MATING PART: AT06-12SX\* PLUG  
( X = A,B,C,D KEYS; \* = MODIFICATIONS AND COLORS )
- ALL DIMENSIONS ARE FOR REFERENCE USE ONLY.

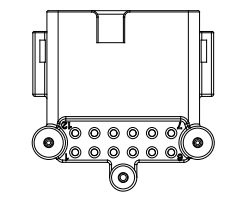
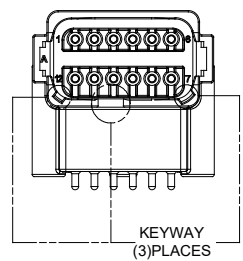


SEE PART NUMBER CHART		SIGNATURES		DATE	DESCRIPTION		ITEM
QUANTITY	PART NUMBER	MATERIALS LIST					
UNLESS OTHERWISE SPECIFIED		DRAWN: BROOK DING		12/JUL/19	<h1>Amphenol</h1> <p>Sine Systems - www.amphenol-sine.com 44724 Morley Drive Clinton Township, MI 48036</p> <p>RIGHT ANGLE RECEPTACLE, AT 12 PIN, SCREW BOSS, BOARDLOCK, EXT. HGT</p>		
1) All dimensions are in metric (mm).		CHECKED: ORION LI		12/JUL/19			
2) Tolerances are as follows: 1 PL DEC ±0.30   Fractions ±1/64 2 PL DEC ±0.15   Angles ±1° 3 PL DEC ±0.08		ENGINEER:					
3) Note reference =		APPROVAL: TOMMY XIE		12/JUL/19			
MATERIAL SPECIFICATIONS:		CUSTOMER:			<p>SIZE: <b>B</b> TYPE: <b>C-</b> DWG NO: <b>ATF13-12PX-BM3X</b> REVISION: <b>A2</b></p>		
PROCESS SPECIFICATIONS:		THIS DRAWING IS SUPPLIED FOR INFORMATION ONLY. DESIGN FEATURES, SPECIFICATIONS AND PERFORMANCE DATA SHOWN HEREON ARE THE PROPERTY OF THE AMPHENOL CORPORATION. NO RIGHTS OF REPRODUCTION ARE IMPLIED. ALL DIMENSIONS ARE SUBJECT TO NORMAL MANUFACTURING VARIATIONS.			SCALE: NONE SHEET 1 OF 2		
NEXT ASSY:							

TITLE: RIGHT ANGLE RECEPT AT 12PIN SCREW BOSS BOARDLOCK EXT HGT  
DWG NO: ATF13-12PX-BM3X  
REV: A2  
SH: 1  
OF: 2

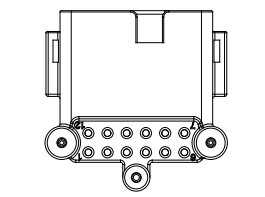
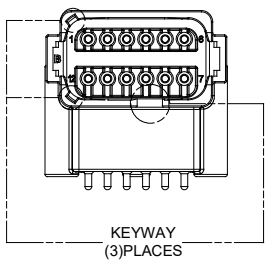
REVISIONS					
REV	ECO	DESCRIPTION	DATE	BY	APPR
A1	-	RELEASE	25/MAR/19	BROOK	TOMMY
A2	-	MODIFIED DESCRIPTION	12JUL19	BROOK	TOMMY

P/N ATF13-12PA-BM3X  
KEY-A CONFIGURATION  
STANDARD COLOR: GREY



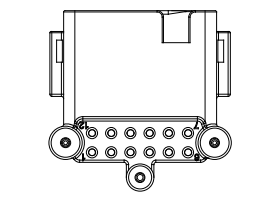
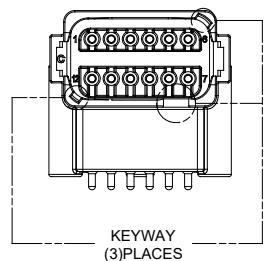
ATF13-12PA-BM3X VARIANTS	
CONTACT PLATING	PART NUMBER
GOLD	ATF13-12PA-BM31
TIN	ATF13-12PA-BM33

P/N ATF13-12PB-BM3X  
KEY-B CONFIGURATION  
STANDARD COLOR: BLACK



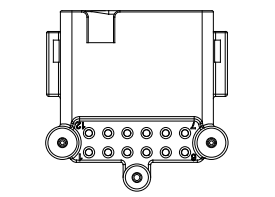
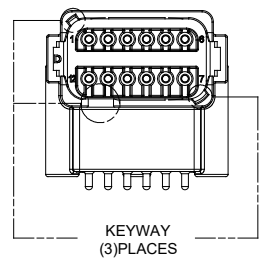
ATF13-12PB-BM3X VARIANTS	
CONTACT PLATING	PART NUMBER
GOLD	ATF13-12PB-BM31
TIN	ATF13-12PB-BM33

P/N ATF13-12PC-BM3X  
KEY-C CONFIGURATION  
STANDARD COLOR: GREEN



ATF13-12PC-BM3X VARIANTS	
CONTACT PLATING	PART NUMBER
GOLD	ATF13-12PC-BM31
TIN	ATF13-12PC-BM33

P/N ATF13-12PD-BM3X  
KEY-D CONFIGURATION  
STANDARD COLOR: BROWN



ATF13-12PD-BM3X VARIANTS	
CONTACT PLATING	PART NUMBER
GOLD	ATF13-12PD-BM31
TIN	ATF13-12PD-BM33

SEE PART NUMBER CHART		DESCRIPTION		ITEM
QUANTITY	PART NUMBER	MATERIALS LIST		
UNLESS OTHERWISE SPECIFIED: 1) All dimensions are in metric(mm). 2) Tolerances are as follows: 1 PL DEC ±0.30 2 PL DEC ±0.15 3 PL DEC ±0.08 3) Note reference =		SIGNATURES		DATE
MATERIAL SPECIFICATIONS:		DRAWN: BROOK DING		12/JUL/19
PROCESS SPECIFICATIONS:		CHECKED: ORION LI		12/JUL/19
NEXT ASSY:		APPROVAL: TOMMY XIE		12/JUL/19
THIS DRAWING IS SUPPLIED FOR INFORMATION ONLY. DESIGN FEATURES, SPECIFICATIONS AND PERFORMANCE DATA SHOWN HEREON ARE THE PROPERTY OF THE AMPHENOL CORPORATION. NO RIGHTS OF REPRODUCTION ARE IMPLIED. ALL DIMENSIONS ARE SUBJECT TO NORMAL MANUFACTURING VARIATIONS.		CUSTOMER:		
		THIS DRAWING IS SUPPLIED FOR INFORMATION ONLY. DESIGN FEATURES, SPECIFICATIONS AND PERFORMANCE DATA SHOWN HEREON ARE THE PROPERTY OF THE AMPHENOL CORPORATION. NO RIGHTS OF REPRODUCTION ARE IMPLIED. ALL DIMENSIONS ARE SUBJECT TO NORMAL MANUFACTURING VARIATIONS.		
		SINE SYSTEMS - www.amphenol-sine.com 44724 Morley Drive Clinton Township, MI 48036		
		RIGHT ANGLE RECEPTACLE, AT 12 PIN, SCREW BOSS, BOARDLOCK, EXT. HGT		
SIZE	TYPE	DWG NO.	REVISION	
B	C-	ATF13-12PX-BM3X	A2	
SCALE	NONE		SHEET 2 OF 2	

TITLE: RIGHT ANGLE RECEPT. AT 12 PIN, SCREW BOSS, BOARDLOCK, EXT. HGT  
DWG NO.: ATF13-12PX-BM3X  
REV: A2  
SH: 2  
OF: 2

## X-ON Electronics

Largest Supplier of Electrical and Electronic Components

*Click to view similar products for [Automotive Connectors](#) category:*

*Click to view products by [Amphenol](#) manufacturer:*

Other Similar products are found below :

[003-018-000](#) [60403001](#) [60993906-B](#) [M902-2131](#) [M902-2161](#) [72.330.1035.1](#) [73.353.4028.0](#) [F119300-B](#) [F166900](#) [F258300-B](#) [F358300-B](#)  
[F407400](#) [F444110](#) [F487000](#) [F509500B-B](#) [827153-1](#) [8N1515-32-24P](#) [9-1326729-8](#) [925474-1](#) [928905-1](#) [964562-4](#) [968782-1](#) [GT17SA-8DS-](#)  
[HU](#) [98891-1012](#) [98947-1016](#) [12004475-L](#) [12010290](#) [12010309-B](#) [12015454](#) [12020219-B](#) [12020308](#) [12041318-B](#) [12052225-L](#) [12052466](#)  
[12059125](#) [12064869](#) [12004327-B](#) [12010503-B](#) [12015308](#) [12015384](#) [12015909](#) [1-21030-1](#) [12041254](#) [12041318](#) [12047946-B](#) [12047957](#)  
[12047957-L](#) [12059473](#) [12066261](#) [12110546](#)