



ATHD Series™



Single-Pole, Heavy Duty Power Connectors

Our **ATHD Series™** of Single-Pole, Heavy Duty Power Connectors provide an environmentally sealed connection system and viable solution to field splices and terminals in harsh environments. Safety features include an integral latch to prevent inadvertent disconnect and an audible click, tactile feel provide circuit confirmation. Precision machined contact technology maximizes performance and durability while delivering up to 100A of power. The rugged circular housings can be used as an in-line, BoardLock™ ATFHD or easy to install sealed flange mount connection system for heavy-duty applications.



Applications: Heavy Duty, Transportation, Marine, Diagnostic, Military, Alternative Energy and Agricultural

Key Features

- Intermatable with industry standard connectors
- Circular, Thermoplastic Housing
- Integral Latch Prevents Inadvertent Disconnect
- In-line (Wire-to-Wire), Flange Mount or BoardLock™ Options
- Customized project-specific colors

Available Modifications

- **-BMXX** - BoardLock™ ATFHD Receptacle
- **-L009** - Sealed Front Flange Receptacle for inside mounting
- **-L013** - Sealed Rear Flange Receptacle for outside mounting
- **-E003** - Endcap
- **-OM** - StructurePlus™ ATHD Overmold Capable

BL BoardLock™ ATFHD



-BMXX



-L009



-L013



-E003



-OM

SP Structure+™ ATHD

Current Rating	Up to 100A
Voltage Rating	Up to 1000V
Operating Temperature	-55°C to +125°C
Dielectric Withstand Voltage	Less than 2 Milliamps Current Leakage @ up to 3000V AC
Insulation Resistance	1000 Megohms Minimum @ 25°C
Mating Cycle Durability	>100 Cycles
Wire Size	4-14AWG





A ASeries™ Family



Standard products. Custom solutions
Customer Service +1 800 394 7732

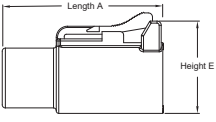
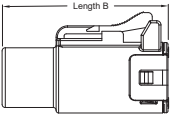
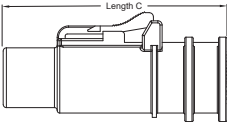
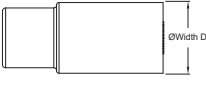
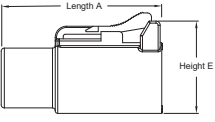
ATHD Series™ Single-Pole Power Connectors

Image	Part Number	Description	Contact Size	Amperage
	ATHD06-1-4S	1 Position, Plug, Pin, Black, ATHD™	4	100A
	ATHD04-1-4P	1 Position, Receptacle, Pin, Black, ATHD™	4	100A
	ATHD04-1-4P-L009	1 Position, Recep, Pin, Front Flange Mount, Black, ATHD™	4	100A
	ATHD04-1-4P-L013	1 Position, Recep, Pin, Rear Flange Mount, Black, ATHD™	4	100A
	ATFHD13-1-4P-BM11	1 Position, Receptacle, Pin, Gold-Plated, Screw Boss, Black, BoardLock™ ATFHD	4	100A
	ATFHD13-1-4P-BM13	1 Position, Receptacle, Pin, Nickel-Plated, Screw Boss, Black, BoardLock™ ATFHD	4	100A
	ATHD04-1-8P	1 Position, Receptacle, Pin, Black, ATHD™	8	60A
	ATHD04-1-8P-E003	1 Position, Receptacle, Pin, Endcap, Black, ATHD™	8	60A
	ATHD06-1-8S	1 Position, Plug, Socket, Black, ATHD™	8	60A
	ATHD06-1-8S-E003	1 Position, Plug, Socket, Endcap, Black, ATHD™	8	60A
	ATHD06-1-8S-OM	1 Position, Plug, Socket, Black, StructurePlus™ ATHD	8	60A
	ATHD04-1-12P	1 Position, Receptacle, Pin, Black, ATHD™	12	25A
	ATHD04-1-12P-E003	1 Position, Receptacle, Pin, Endcap, Black, ATHD™	12	25A
	ATHD06-1-12S	1 Position, Plug, Socket, Black, ATHD™	12	25A
	ATHD06-1-12S-E003	1 Position, Plug, Socket, Endcap, Black, ATHD™	12	25A
	ATHD06-1-12S-OM	1 Position, Plug, Socket, Black, StructurePlus™ ATHD	12	25A

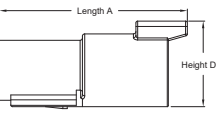
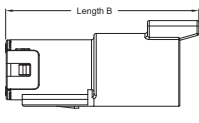
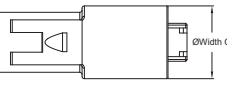
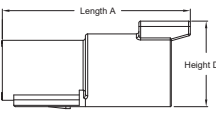
ATHD Series™ Single-Pole Power Contacts

Image	Part Number	Description	Contact Size	Amperage
	AT60-203-04141-4	Pin, Machined, 4AWG, Copper Alloy, Nickel-plated	4	100A
	AT60-204-0490	Pin, Machined, 6AWG, Copper Alloy, Nickel-plated	4	100A
	AT60-204-08141	Pin, Machined, 8-10AWG, Copper Alloy, Nickel-plated	8	60A
	AT60-204-12141	Pin, Machined, 12-14AWG, Copper Alloy, Nickel-plated	12	25A
	AT60-220-1231	Pin, Machined, 12-14AWG, Copper Alloy, Gold-plated	12	25A
	AT62-203-04141	Socket, Machined, 6AWG, Copper Alloy, Nickel-plated	4	100A
	AT62-203-04141-4	Socket, Machined, 4AWG, Copper Alloy, Nickel-plated	4	100A
	AT62-203-08141	Socket, Machined, 8-10AWG, Copper Alloy, Nickel-plated	8	100A
	AT62-203-12141	Socket, Machined, 12-14AWG, Copper Alloy, Nickel-plated	12	25A
	AT62-210-1231	Socket, Machined, 12-14AWG, Copper Alloy, Gold-plated	12	25A

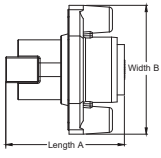
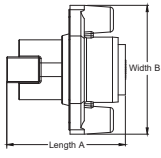
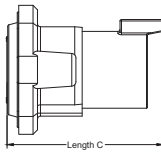
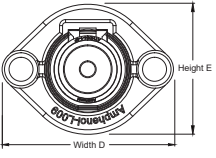
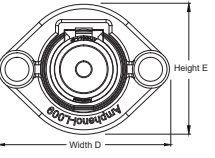
ATHD Series™ Plug Dimensions (in mm)

					
Size	Length A	Length B (-E003 Modification)	Length C (-OM Modification)	ØWidth D	Height E
4S	38.2	-	-	22.3	29.4
8S	38.1±0.5	39.3±0.5	53.5±0.5	16.8	21.9
12S	38.0±0.5	39.3±0.5	53.0±0.5	14.5	19.6

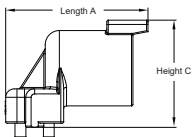
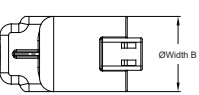
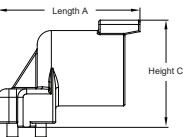
ATHD Series™ Receptacle Dimensions (in mm)

				
Size	Length A	Length B (-E003 Modification)	ØWidth C	Height D
4P	52.5	-	26.5	29.8
8P	52.9±0.6	53.8	20.3	23.9
12P	52.5±0.6	53.8±0.6	18.0	21.6

ATHD Series™ Flange Mount Receptacle Dimensions (in mm)

					
Size	Length A (-L009 Front Flange Mount)	Width B (-L009 Front Flange Mount)	Length C (-L013 Rear Flange Mount)	Width D (-L013 Rear Flange Mount)	Height E (-L009/L013)
4P	52.5	57.3	52.5	57.3	43.3

ATFHD Series™ Receptacle Dimensions (in mm)

			
Size	Length A	ØWidth B	Height C
4P	50.1	26.5	37.8

For more information, contact: Customer Service, +1 800 394 7732, csr@amphenol-sine.com

© 2020 Amphenol Sine Systems Corporation, 44274 Morley Drive, Clinton Township MI 48036 USA. www.amphenol-sine.com. Customer Service +1 800 394 7732
Every effort has been made to ensure that the information contained in this document is accurate at the time of publication. Specifications or information stated in this document are subject to change without notice. Updated 10/2020

X-ON Electronics

Largest Supplier of Electrical and Electronic Components

Click to view similar products for [Heavy Duty Power Connectors](#) category:

Click to view products by [Amphenol](#) manufacturer:

Other Similar products are found below :

[1424439](#) [1424438](#) [09330062652](#) [2-8675P1](#) [580129-2](#) [605601-1](#) [6340G1](#) [6341G1](#) [6360G1](#) [6373G1](#) [6374g2](#) [6396G1](#) [647757-1](#) [66394-4](#)
[6643411-1](#) [6646058-2](#) [6646137-1](#) [6646138-1](#) [6646348-1](#) [6646479-1](#) [6646608-1](#) [6646786-1](#) [6646940-1](#) [6651091-1](#) [6651525-1](#) [6651529-1](#)
[6651778-1](#) [6651788-1](#) [696465-1](#) [696475-1](#) [73000005059](#) [73000005349](#) [73000005642](#) [73080255059](#) [73080965046](#) [765-15-0080A](#)
[765-16-0080B](#) [789.700-44](#) [789.700-54](#) [80-1010](#) [80-9](#) [827381-1](#) [829992-1](#) [902-77-02113](#) [PL00V-301-10D10](#) [PM103MOOLOO](#)
[PM16S1620S32-50](#) [PM212MOOLOO](#) [PM309FOOLOO](#) [PM324FOOLCH](#)