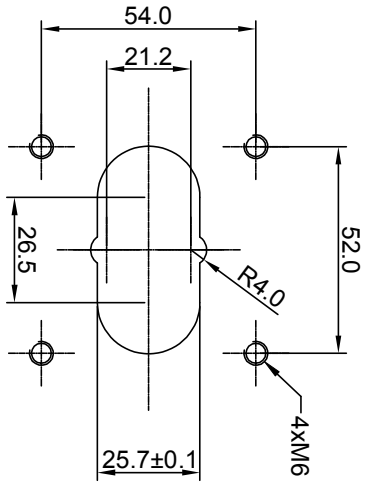
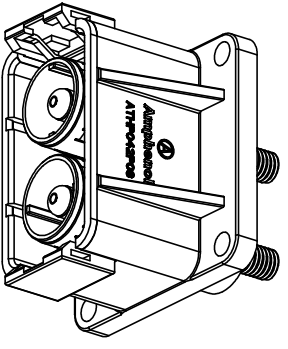
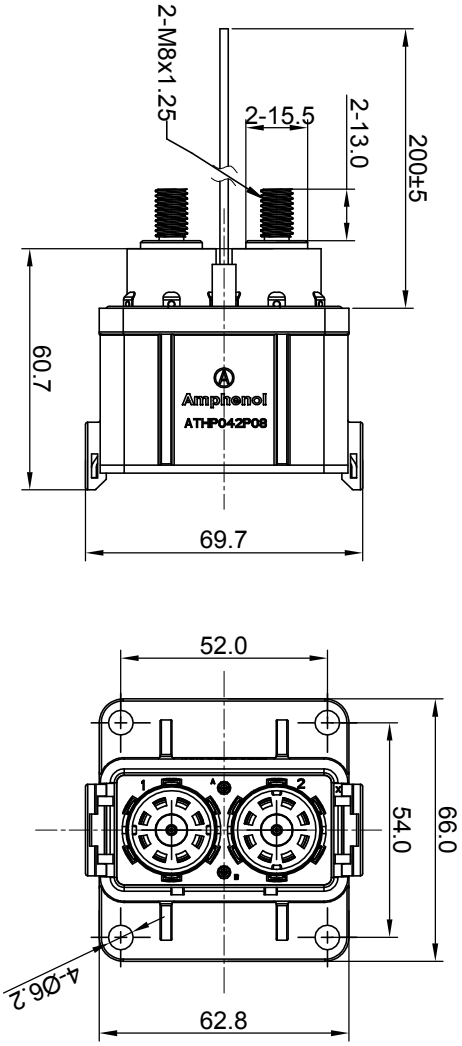


REVISIONS				
REV	ECO	DESCRIPTION	DATE	BY APPR
A1	-	RELEASE NEW DRAWING	Dec.12.18	Blink Tommy



RECOMMEND PANEL CUT

NOTES: UNLESS OTHERWISE SPECIFIED

- MATERIAL:
 - 1.1 HOUSING: THERMOPLASTIC UL 94V0
 - 1.2 SEAL: SILICONE RUBBER
 - 1.3 POWER CONTACT: COPPER ALLOY, SILVER PLATED
 - 1.4 SHIELDING: COPPER ALLOY, TIN PLATED

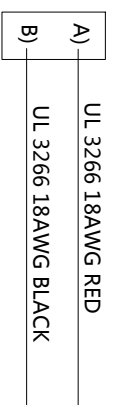
2. SPECIFICATIONS:

- 2.1 CURRENT RATING: 180 AMPS
- 2.2 VOLTAGE RATING: 1000 V AC/DC
- 2.3 CONTACT RESISTANCE: 0.3 mΩ@POWER CONTACT
- 2.4 OPERATING TEMPERATURE: -40°C TO +130°C
- 2.5 DIELECTRIC WITHSTANDING VOLTAGE: LESS THAN 2 MILLIAMPS CURRENT LEAKAGE @ 3000 VOLTS AC.
- 2.6 INSULATION RESISTANCE: 500 MEGOHMS MIN@25°C.
- 2.7 DEGREE OF PROTECTION: IP67 (MATED CONDITION)
- 2.8 MATING CYCLE DURABILITY: 100 CYCLES
- 2.9 ROHS COMPLIANT

- SIGNAL CONTACT: RT SERIES 16# PIN CONTACT
- POWER CONTACT: SC000384-8-M1

4. ALL DIMENSIONS ARE FOR REFERENCE USE ONLY.

Wiring Diagram



QUANTITY	PART NUMBER	DESCRIPTION	ITEM
MATERIALS LIST			
UNLESS OTHERWISE SPECIFIED			
1) All dimensions are in metric/mm.			
2) Dimensions are in inches.			
3) PL, DEC 30/18			
4) PL, DEC 30/18			
5) Note reference = X			
MATERIAL SPECIFICATIONS:			
CUSTOMER: Tommy Dec.12.18			
APPROVAL: Tommy Dec.12.18			
ENGINEER: Ttd Dec.12.18			
CHECKED: Btk Dec.12.18			
DRAWN: Btk Dec.12.18			
DATE: Dec.12.18			
SIGNATURES			
PROCESS SPECIFICATIONS:			
NEXT ASSY:			
SCALE: NONE			
SHEET 1 OF 1			

Amphenol

Site Systems - www.amphenol-site.com
44124 Moley Drive
Clinton Township, MI 48036

ATHP, RECEPTACLE, 2 PIN, 3MM
FLANG MOUNTING WITH EMC SHIELDING

SIZE: B C-
TYPE: ATHP042P08EL16-M1
REV: A1

X-ON Electronics

Largest Supplier of Electrical and Electronic Components

Click to view similar products for [Heavy Duty Power Connectors](#) category:

Click to view products by [Amphenol](#) manufacturer:

Other Similar products are found below :

[647757-1](#) [6643411-1](#) [6646058-2](#) [6646137-1](#) [6646138-1](#) [6646479-1](#) [6646608-1](#) [6646786-1](#) [6646940-1](#) [6651091-1](#) [6651525-1](#) [6651529-1](#)
[6651788-1](#) [696475-1](#) [702-32-01109](#) [703-25-02205](#) [73000005059](#) [73000005642](#) [765-15-0080A](#) [765-16-0080B](#) [765-18-0080D](#) [829992-1](#)
[902-77-02113](#) [PS00/A0620/6300](#) [129-1J](#) [AN0024023](#) [E6374G1](#) [e6389g2](#) [157-43GW8](#) [MS3117-14AC](#) [1643543-1](#) [1650540-1](#) [1651811-2](#)
[1766260-1](#) [1766282-1](#) [1766966-1](#) [1791340000](#) [NLDFT-3-BL-L-S120-M40A](#) [NLDFT-N-W-L-C240-M40B](#) [NLS-2-R-C240-M40B](#) [NLS-N-](#)
[W-C240-M40B](#) [NPS-3-BL-T6](#) [1986615-1](#) [2-1589900-8](#) [2199314-1](#) [KA8102](#) [9300480317](#) [SBS50BRN#6](#) [29131](#) [296-0040-01100](#)