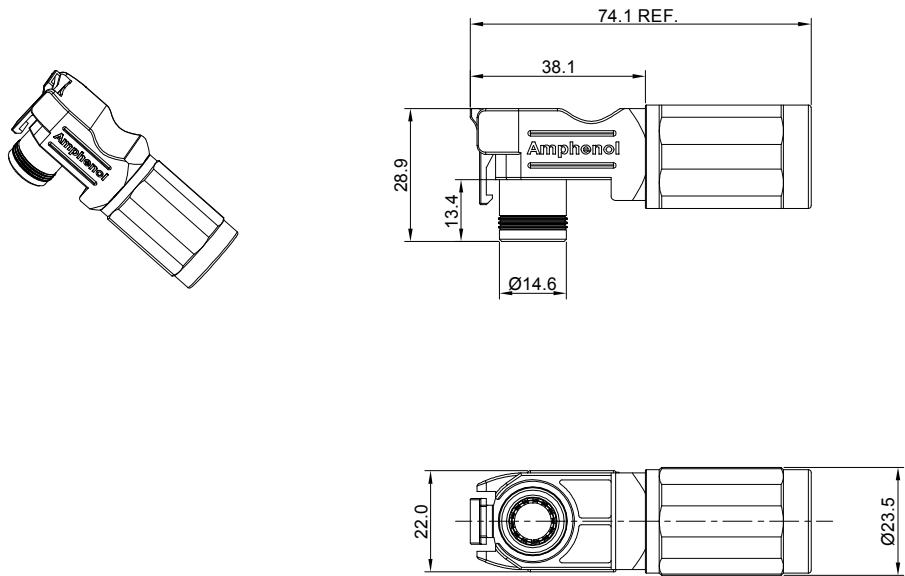


REVISIONS					
REV	ECO	DESCRIPTION	DATE	BY	APPR
A1	-	FIRST RELEASE	Jul.31,18	White	Tommy
A2	-	UPDATED DRAWING	Dec.11,18	White	Tommy



NOTES: UNLESS OTHERWISE SPECIFIED

- MATERIAL:
 - HOUSING: THERMOPLASTIC UL94 V0
 - SEAL: SILICONE RUBBER
 - NUT: THERMOPLASTIC UL94 V0
 - CONTACT: COPPER ALLOY,SILVER PLATED
- SPECIFICATIONS:
 - CURRENT RATING: 50 mm² @180 AMPS
35 mm² @130 AMPS
 - OPERATING VOLTAGE: 1000V AC/DC
 - OPERATING TEMPERATURE: -55°C TO +125°C
 - CONTACT RESISTANCE: 0.3 mΩ
 - DEGREE OF PROTECTION: IP67 (MATED CONDITION)
 - MATING CYCLE DURABILITY: 50 CYCLES
 - RoHS COMPLIANT
- ALL DIMENSIONS ARE FOR REFERENCE USE ONLY.

ITEM	P/N	CABLE OD RANGE	WIRE RANGE	NOTE
1	ATHP061RS08NN-50	14.2~15.2 mm	50 mm ²	BLACK
2	ATHP061RS08NN-35	10.7~11.7 mm	35 mm ²	BLACK
3	ATHP061RS08NN-50-ORG	14.2~15.2 mm	50 mm ²	ORANGE
4	ATHP061RS08NN-35-ORG	10.7~11.7 mm	35 mm ²	ORANGE

QUANTITY	PART NUMBER	DESCRIPTION	ITEM
MATERIALS LIST			
UNLESS OTHERWISE SPECIFIED 1) All dimensions are in metric(mm). 2) Tolerances are as follows: 1 PL DEC ±0.30 Fractions ±1/64 2 PL DEC ±0.15 3 PL DEC ±0.08 3) Note reference =		SIGNATURES DATE DRAWN: White Dec.11,18 CHECKED: Tod Dec.11,18 APPROVAL: Tommy Dec.11,18 ENGINEER: CUSTOMER:	
MATERIAL SPECIFICATIONS: PROCESS SPECIFICATIONS: NEXT ASSY:		<div style="text-align: center;"> Sine Systems - www.amphenol-sine.com 44724 Morley Drive Clinton Township, MI 48036 ATHP,8MM, RIGHTANGLE PLUG </div>	
THIS DRAWING IS SUPPLIED FOR INFORMATION ONLY. DESIGN FEATURES, SPECIFICATIONS AND PERFORMANCE DATA SHOWN HEREON ARE THE PROPERTY OF THE AMPHENOL CORPORATION. NO RIGHTS OF REPRODUCTION ARE IMPLIED. ALL DIMENSIONS ARE SUBJECT TO NORMAL MANUFACTURING VARIATIONS.		SCALE: NONE SHEET 1 OF 1	
SIZE: B C-		DWG NO: ATHP061RS08NN-xx-x REVISION: A2	

TITLE: ATHP,8MM,RIGHTANGLE PLUG DWG NO.: ATHP061RS08NN-xx-x REV: A2 SH: 1 OF: 1

X-ON Electronics

Largest Supplier of Electrical and Electronic Components

Click to view similar products for [Heavy Duty Power Connectors](#) category:

Click to view products by [Amphenol](#) manufacturer:

Other Similar products are found below :

[647757-1](#) [6643411-1](#) [6646058-2](#) [6646137-1](#) [6646138-1](#) [6646479-1](#) [6646608-1](#) [6646786-1](#) [6646940-1](#) [6651091-1](#) [6651525-1](#) [6651529-1](#)
[6651788-1](#) [696475-1](#) [73000005059](#) [73000005642](#) [765-15-0080A](#) [765-16-0080B](#) [829992-1](#) [902-77-02113](#) [129-1J](#) [AN0024023](#) [E6374G1](#)
[e6389g2](#) [157-43GW8](#) [MS3117-14AC](#) [1643543-1](#) [1650540-1](#) [1651811-2](#) [1766260-1](#) [1766282-1](#) [1766966-1](#) [1791340000](#) [NLDFT-3-BL-L-](#)
[S120-M40A](#) [NLDFT-N-W-L-C240-M40B](#) [NLS-2-R-C240-M40B](#) [NLS-N-W-C240-M40B](#) [NPS-3-BL-T6](#) [1986615-1](#) [2-1589900-8](#) [2199314-1](#)
[KA8102](#) [9300480317](#) [SBS50BRN#6](#) [29131](#) [29652](#) [1646905-1](#) [1648320-1](#) [1648582-1](#) [1650195-2](#)