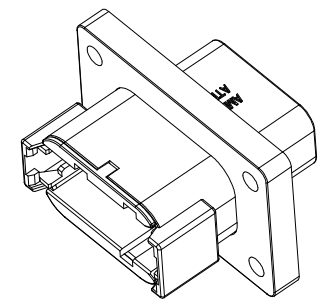
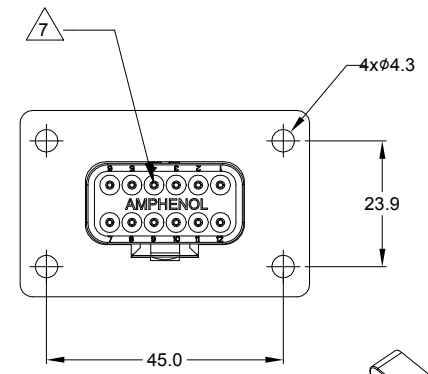
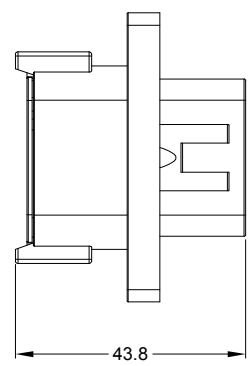
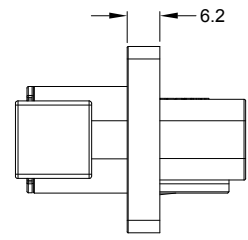
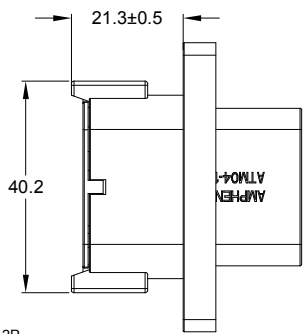
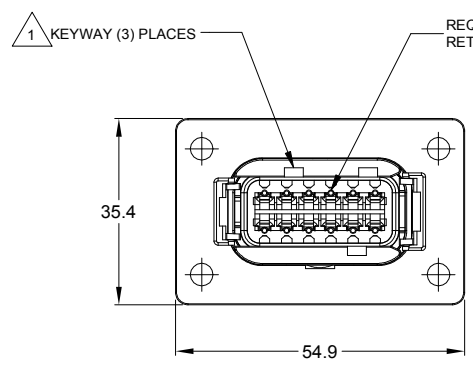


REVISIONS					
REV	ECO	DESCRIPTION	DATE	BY	APPR
A1	-	RELEASE NUMBER	20/NOV/17	ROOKIE	TOMMY
A2	C0866S	UPDATE DRAWING	14/MAY/18	ROOKIE	TOMMY
A3	-	UPDATE DRAWING	18/MAY/20	ROOKIE	TOMMY



NOTES: UNLESS OTHERWISE SPECIFIED

- 1 SEE SHEET 2 FOR KEY ARRANGEMENTS AND COLORS.
- 2. MATERIAL:  
HOUSING: THERMOPLASTIC  
SEAL: SILICONE RUBBER
- 3. MODIFICATIONS: FLANGE
- 4. SPECIFICATIONS:  
4.1 CURRENT RATING: 7.5 AMPS  
4.2 OPERATING TEMPERATURE: -55°C TO +125°C.  
4.3 DIELECTRIC WITHSTANDING VOLTAGE: LESS THAN 2 MILLIAMPS CURRENT LEAKAGE @ 1500 VOLTS AC.  
4.4 INSULATION RESISTANCE: 1000 MEGOHMS MIN @ 25°C.  
4.5 MOISTURE RESISTANCE: IP67 ( MATED CONDITION )  
4.6 MATING CYCLE DURABILITY: 100 CYCLES  
4.7 RoHS COMPLIANT
- 5. MATING PART: ATM06-12SX\* PLUG.  
( X = A,B,C,D KEYS; \* = MODIFICATIONS AND COLORS )
- 6. ALL DIMENSIONS ARE FOR REFERENCE USE ONLY.

7 CONTACT SIZE AND REAR SEAL WIRE RANGE:

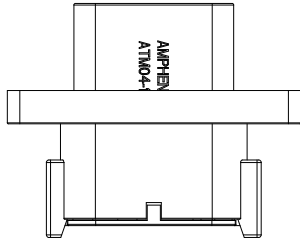
CONTACT SIZE	MIN. INSUL O.D.	MAX. INSUL O.D.	TYPICAL WIRE RANGE
20	1.35 mm (.053 in)	3.05 mm (.120 in)	16 - 22 AWG

SEE SHEET 2		DESCRIPTION		ITEM
PART NUMBER		RECEPTACLE, KEYED, 12 PIN, ATM SERIES,PANELMATE		
QUANTITY	MATERIALS LIST			
UNLESS OTHERWISE SPECIFIED		SIGNATURES		DATE
1) All dimensions are in metric(mm).		DRAWN: ROOKIE		18/MAY/20
2) Tolerances are as follows:		CHECKED: ORION		19/MAY/20
1 PL DEC ±0.30		ENGINEER:		
2 PL DEC ±0.15		APPROVAL: TOMMY		20/MAY/20
3 PL DEC ±0.08		CUSTOMER:		
3) Note reference = X		MATERIAL SPECIFICATIONS:		
PROCESS SPECIFICATIONS:		THIS DRAWING IS SUPPLIED FOR INFORMATION ONLY. DESIGN FEATURES, SPECIFICATIONS AND PERFORMANCE DATA SHOWN HEREON ARE THE PROPERTY OF THE AMPHENOL CORPORATION. NO RIGHTS OF REPRODUCTION ARE IMPLIED. ALL DIMENSIONS ARE SUBJECT TO NORMAL MANUFACTURING VARIATIONS.		
NEXT ASSY:		SCALE: NONE		
		Sine Systems - www.amphenol-sine.com 44724 Morley Drive Clinton Township, MI 48036		
		RECEPTACLE, KEYED, 12 PIN, ATM SERIES,PANELMATE		
		SIZE	TYPE	DWG NO:
		B	C-	ATM04-12PX-PM01
		REVISION		A3
		SHEET 1 OF 3		

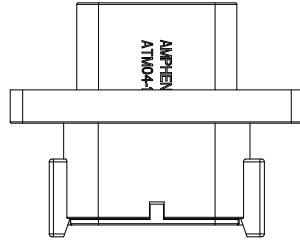
TITLE: RECEPTACLE, KEYED A, 12 PIN, ATM SERIES, PANELMATE  
DWG NO: ATM04-12PX-PM01  
REV: A3  
SH: 1  
OF: 3

REVISIONS					
REV	ECO	DESCRIPTION	DATE	BY	APPR
A1	-	RELEASE NUMBER	20/NOV/17	ROOKIE	TOMMY
A2	C0866S	UPDATE DRAWING	14/MAY/18	ROOKIE	TOMMY
A3	-	UPDATE DRAWING	18/MAY/20	ROOKIE	TOMMY

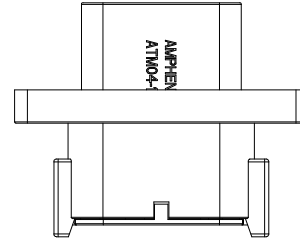
KEY A CONFIGURATION  
HOUSNG COLOR:GREY  
FLANGE COLOR:GREY  
COVER COLOR:GREY



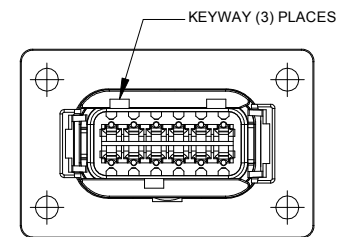
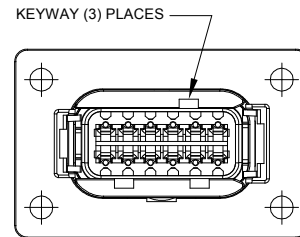
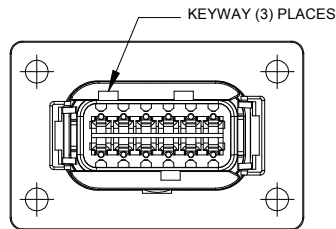
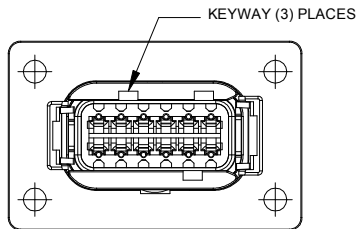
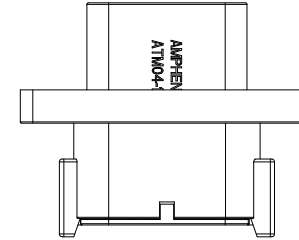
KEY B CONFIGURATION  
HOUSNG COLOR:GREY  
FLANGE COLOR:GREY  
COVER COLOR:BLACK



KEY C CONFIGURATION  
HOUSNG COLOR:GREY  
FLANGE COLOR:GREY  
COVER COLOR:GREEN



KEY D CONFIGURATION  
HOUSNG COLOR:GREY  
FLANGE COLOR:GREY  
COVER COLOR:BROWN



<u>KEY-A CONFIGURATION</u>
PART NUMBER
ATM04-12PA-PM01

<u>KEY-B CONFIGURATION</u>
PART NUMBER
ATM04-12PB-PM01

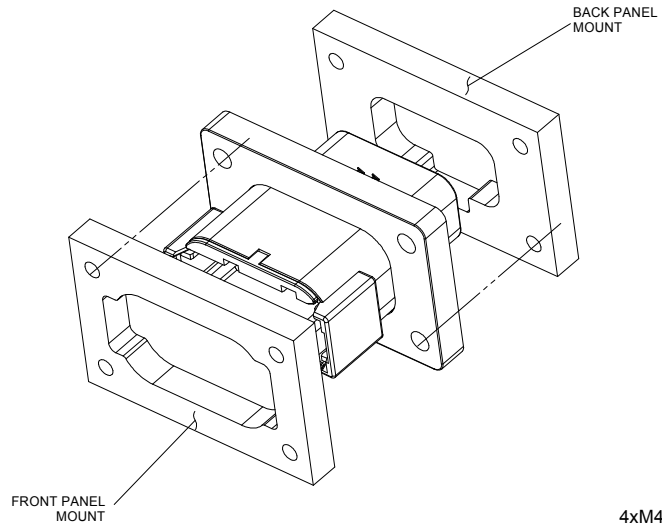
<u>KEY-C CONFIGURATION</u>
PART NUMBER
ATM04-12PC-PM01

<u>KEY-D CONFIGURATION</u>
PART NUMBER
ATM04-12PD-PM01

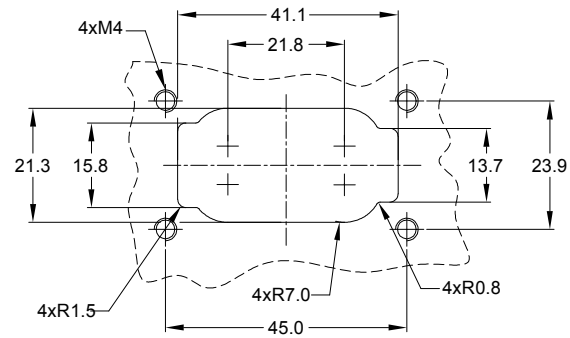
QUANTITY	PART NUMBER	DESCRIPTION	ITEM
<b>MATERIALS LIST</b>			
<b>UNLESS OTHERWISE SPECIFIED</b> 1) All dimensions are in metric(mm). 2) Tolerances are as follows: 1 PL DEC ±0.30 2 PL DEC ±0.15 3 PL DEC ±0.08 3) Note reference =		<b>SIGNATURES</b> DRAWN: ROOKIE CHECKED: ORION APPROVAL: TOMMY DATE: 18/MAY/20 19/MAY/20 20/MAY/20	<b>Amphenol</b> Sine Systems - www.amphenol-sine.com 44724 Morley Drive Clinton Township, MI 48036
MATERIAL SPECIFICATIONS:		CUSTOMER:	RECEPTACLE, KEYED, 12 PIN, ATM SERIES,PANELMATE
PROCESS SPECIFICATIONS:		THIS DRAWING IS SUPPLIED FOR INFORMATION ONLY. DESIGN FEATURES, SPECIFICATIONS AND PERFORMANCE DATA SHOWN HEREON ARE THE PROPERTY OF THE AMPHENOL CORPORATION. NO RIGHTS OF REPRODUCTION ARE IMPLIED. ALL DIMENSIONS ARE SUBJECT TO NORMAL MANUFACTURING VARIATIONS.	SCALE: NONE SHEET 2 OF 3
NEXT ASSY:		SIZE: <b>B C-</b> DWG NO: <b>ATM04-12PX-PM01</b> REVISION: <b>A3</b>	

TITLE: RECEPTACLE, KEYED, A, 12 PIN, ATM SERIES,PANELMATE  
 DWG NO.: ATM04-12PX-PM01  
 REV: A3  
 SH: 2  
 OF: 3

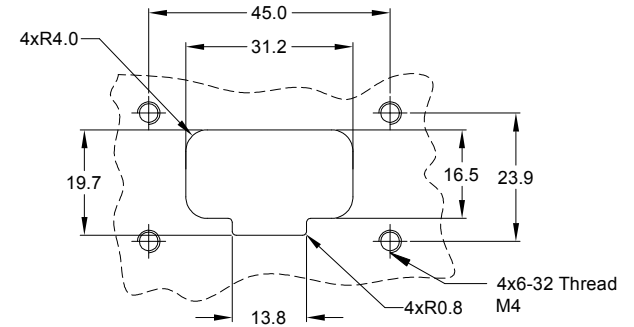
REVISIONS					
REV	ECO	DESCRIPTION	DATE	BY	APPR
A1	-	RELEASE NUMBER	20/NOV/17	ROOKIE	TOMMY
A2	C0866S	UPDATE DRAWING	14/MAY/18	ROOKIE	TOMMY
A3	-	UPDATE DRAWING	18/MAY/20	ROOKIE	TOMMY



FRONT PANEL



BACK PANEL



RECOMMENDED MOUNTING HOLE

TITLE: RECEPTACLE, KEYED, A, 12 PIN, ATM SERIES, PANELMATE  
 DWG NO.: ATM04-12PX-PM01  
 REV: A3  
 SH: 3  
 OF: 3

QUANTITY	PART NUMBER	DESCRIPTION	ITEM
<b>MATERIALS LIST</b>			
<b>UNLESS OTHERWISE SPECIFIED</b> 1) All dimensions are in metric(mm). 2) Tolerances are as follows: 1 PL DEC ±0.30 2 PL DEC ±0.15 3 PL DEC ±0.08 3) Note reference =		<b>SIGNATURES</b> DRAWN: ROOKIE 18/MAY/20 CHECKED: CRON 19/MAY/20 APPROVAL: TOMMY 20/MAY/20 CUSTOMER:	<b>DATE</b> 18/MAY/20 19/MAY/20 20/MAY/20
MATERIAL SPECIFICATIONS:  PROCESS SPECIFICATIONS:  NEXT ASSY:		<div style="text-align: center;">             Sine Systems - www.amphenol-sine.com            44724 Morley Drive            Clinton Township, MI 48036         </div>	
THIS DRAWING IS SUPPLIED FOR INFORMATION ONLY. DESIGN FEATURES, SPECIFICATIONS AND PERFORMANCE DATA SHOWN HEREON ARE THE PROPERTY OF THE AMPHENOL CORPORATION. NO RIGHTS OF REPRODUCTION ARE IMPLIED. ALL DIMENSIONS ARE SUBJECT TO NORMAL MANUFACTURING VARIATIONS.		<b>SIZE</b> <b>B C-</b>	<b>DWG NO.</b> <b>ATM04-12PX-PM01</b> <b>SCALE:</b> NONE
		<b>REVISION</b> <b>A3</b>	<b>SHEET</b> 3 <b>OF</b> 3

## X-ON Electronics

Largest Supplier of Electrical and Electronic Components

*Click to view similar products for [Automotive Connectors](#) category:*

*Click to view products by [Amphenol](#) manufacturer:*

Other Similar products are found below :

[003-018-000](#) [60403001](#) [60993906-B](#) [M902-2131](#) [M902-2161](#) [72.330.1035.1](#) [73.353.4028.0](#) [F119300-B](#) [F166900](#) [F258300-B](#) [F358300-B](#)  
[F407400](#) [F444110](#) [F487000](#) [F509500B-B](#) [827153-1](#) [8N1515-32-24P](#) [9-1326729-8](#) [925474-1](#) [928905-1](#) [964562-4](#) [968782-1](#) [GT17SA-8DS-](#)  
[HU](#) [98891-1012](#) [98947-1016](#) [12004475-L](#) [12010290](#) [12010309-B](#) [12015454](#) [12020219-B](#) [12020308](#) [12041318-B](#) [12052225-L](#) [12052466](#)  
[12059125](#) [12064869](#) [12004327-B](#) [12010503-B](#) [12015308](#) [12015384](#) [12015909](#) [1-21030-1](#) [12041254](#) [12041318](#) [12047946-B](#) [12047957](#)  
[12047957-L](#) [12059473](#) [12066261](#) [12110546](#)