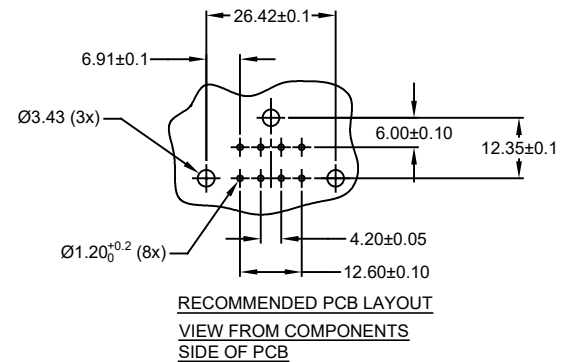
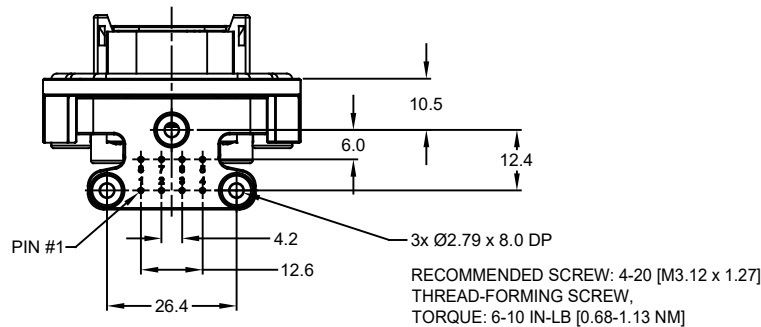
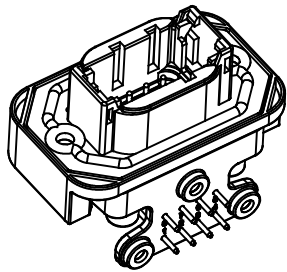
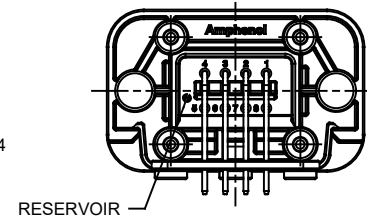
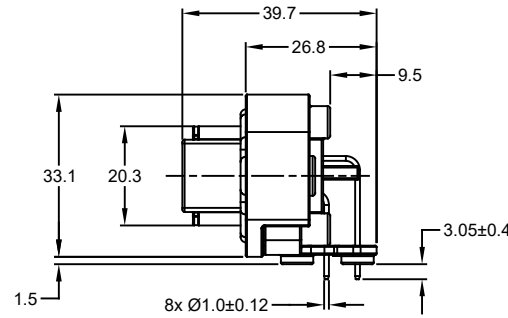
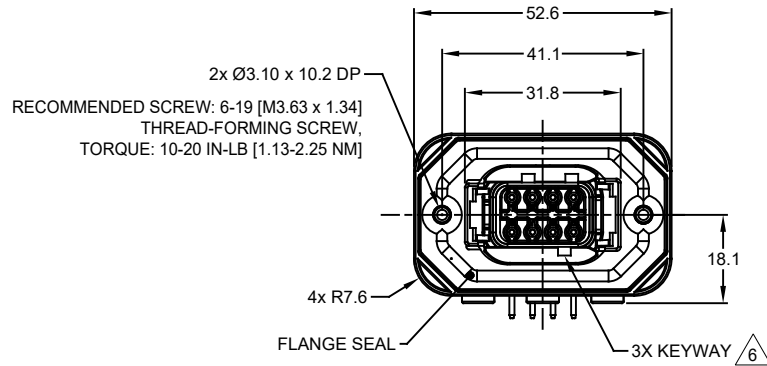


| REVISIONS | | | | | |
|-----------|-----|---------------------|---------|--------|-------|
| REV | ECO | DESCRIPTION | DATE | BY | APPR |
| A1 | - | RELEASE NEW DRAWING | 15JUN18 | SULLEN | TOMMY |
| A2 | - | REVISED DRAWING | 10JUL20 | JHEAD | DH |



NOTES: UNLESS OTHERWISE SPECIFIED

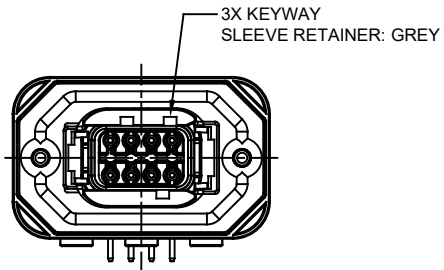
- MATERIAL:
HOUSING: THERMOPLASTIC, GREY
SEAL: SILICONE RUBBER
CONTACT: COPPER ALLOY
- CONTACT PLATING: SEE SHEET 2
- MODIFICATIONS: FLANGE; RA PCB MOUNT
- SPECIFICATIONS:
4.1 CURRENT RATING: 7.5 AMPS
4.2 OPERATING TEMPERATURE: -55°C TO +125°C
4.3 DIELECTRIC WITHSTANDING VOLTAGE: LESS THAN 2 MILLIAMPS CURRENT LEAKAGE @ 1500 VOLTS AC
4.4 INSULATION RESISTANCE: 1000 MEGOHMS MIN @ 25°C
4.5 MOISTURE RESISTANCE: IP67 (MATED CONDITION)
4.6 MATING CYCLE DURABILITY: 100 CYCLES
4.7 RoHS COMPLIANT

- MATING PART: ATM06-08SX*
(X = A,B,C,D KEYS ; * = MODIFICATIONS AND COLORS)
6. SEE SHEET 2 FOR OTHER KEY ARRANGEMENTS AND COLORS
- ALL DIMENSIONS ARE FOR REFERENCE USE ONLY
- POTTED CONNECTORS SPECIFIED FOR UP TO 5 P.S.I. APPLICATIONS.

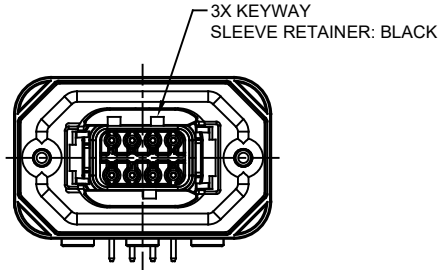
| ATM13-08PX-BMXX | | DESCRIPTION | | ITEM |
|--------------------------------------|-------------|--|--|--------------|
| QUANTITY | PART NUMBER | MATERIALS LIST | | |
| UNLESS OTHERWISE SPECIFIED | | SIGNATURES | | DATE |
| 1) All dimensions are in metric(mm). | | DRAWN: SULLENZHANG | | 15JUN18 |
| 2) Tolerances are as follows: | | CHECKED: ORIONLI | | 15JUN18 |
| 1 PL DEC ±0.30 | | ENGINEER: | | |
| 2 PL DEC ±0.15 | | APPROVAL: TOMMY.XIE | | 15JUN18 |
| 3 PL DEC ±0.08 | | CUSTOMER: | | |
| 3) Note reference = | | THIS DRAWING IS SUPPLIED FOR INFORMATION ONLY. DESIGN FEATURES, SPECIFICATIONS AND PERFORMANCE DATA SHOWN HEREON ARE THE PROPERTY OF THE AMPHENOL CORPORATION. NO RIGHTS OF REPRODUCTION ARE IMPLIED. ALL DIMENSIONS ARE SUBJECT TO NORMAL MANUFACTURING VARIATIONS. | | |
| MATERIAL SPECIFICATIONS: | | SIZE | | TYPE |
| PROCESS SPECIFICATIONS: | | B C- | | |
| NEXT ASSY: | | DWG NO: | | REVISION |
| | | ATM13-08PX-BMXX | | A2 |
| | | SCALE: NONE | | SHEET 1 OF 2 |

TITLE: PCB MOUNT RECEPTACLE, 8 PIN, RA FLANGE, ATM SERIES
DWG NO: ATM13-08PX-BMXX
REV: A2
SH: 1
OF: 2

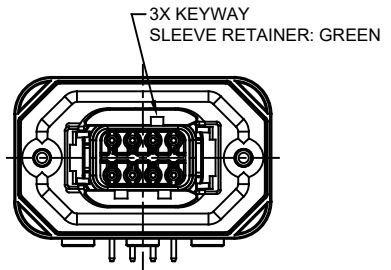
| REVISIONS | | | | | |
|-----------|-----|---------------------|---------|--------|-------|
| REV | ECO | DESCRIPTION | DATE | BY | APPR |
| A1 | - | RELEASE NEW DRAWING | 15JUN18 | SULLEN | TOMMY |
| A2 | - | REVISED DRAWING | 10JUL20 | JHEAD | DH |



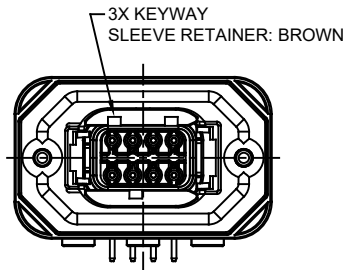
ATM13-08PA-BMXX
KEY A



ATM13-08PB-BMXX
KEY B



ATM13-08PC-BMXX
KEY C



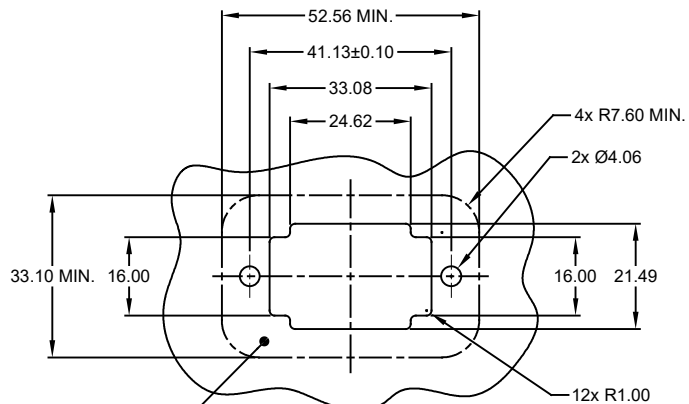
ATM13-08PD-BMXX
KEY D

| ATM13-08PA-BMXX VARIANTS | | |
|--------------------------|-----------------------------|-----------------|
| CONTACT PLATING | POTTING OR NOT IN RESERVOIR | PART NUMBER |
| GOLD | NO POTTING | ATM13-08PA-BM01 |
| GOLD | POTTING | ATM13-08PA-BM02 |
| TIN | NO POTTING | ATM13-08PA-BM03 |
| TIN | POTTING | ATM13-08PA-BM04 |

| ATM13-08PB-BMXX VARIANTS | | |
|--------------------------|-----------------------------|-----------------|
| CONTACT PLATING | POTTING OR NOT IN RESERVOIR | PART NUMBER |
| GOLD | NO POTTING | ATM13-08PB-BM01 |
| GOLD | POTTING | ATM13-08PB-BM02 |
| TIN | NO POTTING | ATM13-08PB-BM03 |
| TIN | POTTING | ATM13-08PB-BM04 |

| ATM13-08PC-BMXX VARIANTS | | |
|--------------------------|-----------------------------|-----------------|
| CONTACT PLATING | POTTING OR NOT IN RESERVOIR | PART NUMBER |
| GOLD | NO POTTING | ATM13-08PC-BM01 |
| GOLD | POTTING | ATM13-08PC-BM02 |
| TIN | NO POTTING | ATM13-08PC-BM03 |
| TIN | POTTING | ATM13-08PC-BM04 |

| ATM13-08PD-BMXX VARIANTS | | |
|--------------------------|-----------------------------|-----------------|
| CONTACT PLATING | POTTING OR NOT IN RESERVOIR | PART NUMBER |
| GOLD | NO POTTING | ATM13-08PD-BM01 |
| GOLD | POTTING | ATM13-08PD-BM02 |
| TIN | NO POTTING | ATM13-08PD-BM03 |
| TIN | POTTING | ATM13-08PD-BM04 |



INTERNAL SEALING SURFACE FINISH TO BE ≥ 3.2 OR BETTER $\sqrt{10.13}$

RECOMMENDED PANEL CUTOUT

| ATM13-08PX-BMXX | | DESCRIPTION | | ITEM |
|--|-------------|--|--|---------|
| QUANTITY | PART NUMBER | MATERIALS LIST | | |
| UNLESS OTHERWISE SPECIFIED | | SIGNATURES | | DATE |
| 1) All dimensions are in metric (mm). | | DRAWN: SULLEN,ZHANG | | 15JUN18 |
| 2) Tolerances are as follows: | | CHECKED: ORION,LI | | 15JUN18 |
| 1 PL DEC ± 0.30 Fractions $\pm 1/64$ | | ENGINEER: | | |
| 2 PL DEC ± 0.15 Angles $\pm 1^\circ$ | | APPROVAL: TOMMY,XIE | | 15JUN18 |
| 3 PL DEC ± 0.08 | | CUSTOMER: | | |
| 3) Note reference = Δ | | THIS DRAWING IS SUPPLIED FOR INFORMATION ONLY. DESIGN FEATURES, SPECIFICATIONS AND PERFORMANCE DATA SHOWN HEREON ARE THE PROPERTY OF THE AMPHENOL CORPORATION. NO RIGHTS OF REPRODUCTION ARE IMPLIED. ALL DIMENSIONS ARE SUBJECT TO NORMAL MANUFACTURING VARIATIONS. | | |
| MATERIAL SPECIFICATIONS: | | SIZE | | |
| PROCESS SPECIFICATIONS: | | TYPE | | |
| NEXT ASSY: | | DWG NO: | | |
| | | SCALE: NONE | | |
| | | SHEET 2 OF 2 | | |

Amphenol

Sine Systems - www.amphenol-sine.com
44724 Morley Drive
Clinton Township, MI 48036

BOARDLOCK PCB MOUNT RECEPTACLE,
8 PIN, RA FLANGE, ATM SERIES

SIZE: B C-
TYPE: ATM13-08PX-BMXX
REVISION: A2

TITLE: PCB MOUNT RECEPTACLE, 8 PIN, RA FLANGE, ATM SERIES
DWG NO: ATM13-08PX-BMXX
REV: A2
SH: 2
OF: 2

X-ON Electronics

Largest Supplier of Electrical and Electronic Components

Click to view similar products for [Automotive Connectors](#) category:

Click to view products by [Amphenol](#) manufacturer:

Other Similar products are found below :

[003-018-000](#) [60403001](#) [60993906-B](#) [M902-2131](#) [M902-2161](#) [72.330.1035.1](#) [73.353.4028.0](#) [F119300-B](#) [F166900](#) [F258300-B](#) [F358300-B](#)
[F407400](#) [F444110](#) [F487000](#) [F509500B-B](#) [827153-1](#) [8N1515-32-24P](#) [9-1326729-8](#) [925474-1](#) [928905-1](#) [964562-4](#) [968782-1](#) [GT17SA-8DS-](#)
[HU](#) [98891-1012](#) [98947-1016](#) [12004475-L](#) [12010290](#) [12010309-B](#) [12015454](#) [12020219-B](#) [12020308](#) [12041318-B](#) [12052225-L](#) [12052466](#)
[12059125](#) [12064869](#) [12004327-B](#) [12010503-B](#) [12015308](#) [12015384](#) [12015909](#) [1-21030-1](#) [12041254](#) [12041318](#) [12047946-B](#) [12047957](#)
[12047957-L](#) [12059473](#) [12066261](#) [12110546](#)