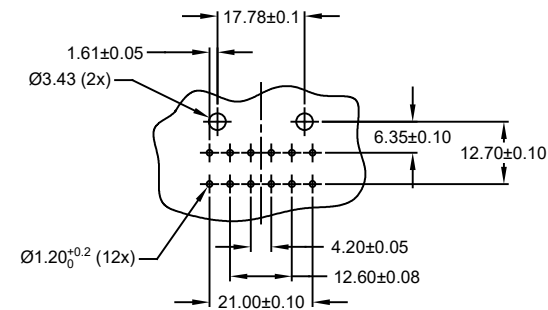
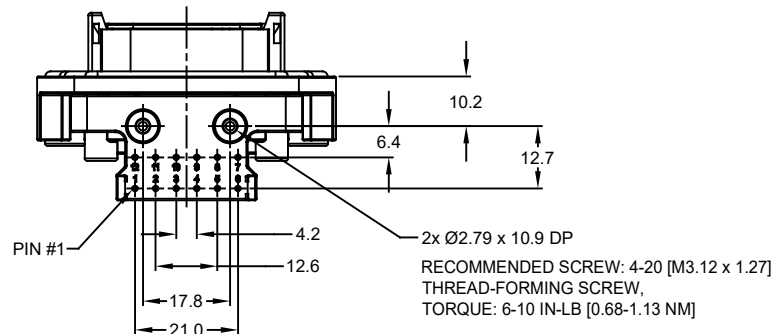
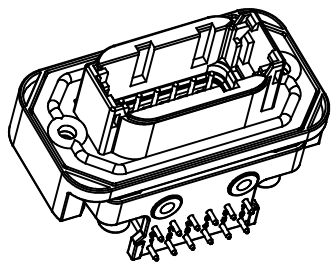
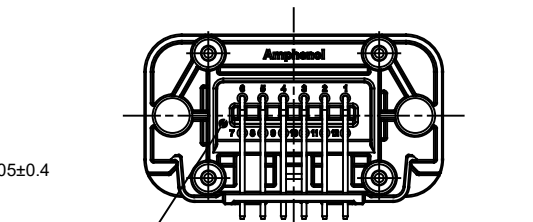
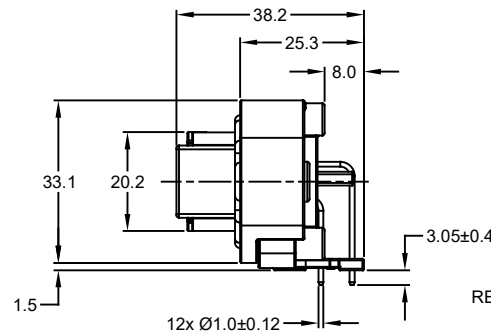
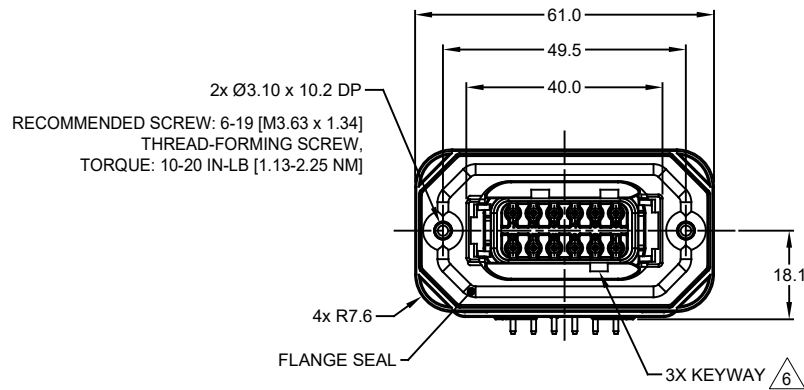


REVISIONS					
REV	ECO	DESCRIPTION	DATE	BY	APPR
A1	-	RELEASE NEW DRAWING	15JUN18	SULLEN	TOMMY
A2	-	REVISED DRAWING	10JUL20	JHEAD	DH



RECOMMENDED PCB LAYOUT  
VIEW FROM COMPONENTS  
SIDE OF PCB

NOTES: UNLESS OTHERWISE SPECIFIED

- MATERIAL:  
HOUSING: THERMOPLASTIC, GREY  
SEAL: SILICONE RUBBER  
CONTACT: COPPER ALLOY
- CONTACT PLATING: SEE SHEET 2
- MODIFICATIONS: FLANGE; RA PCB MOUNT
- SPECIFICATIONS:  
4.1 CURRENT RATING: 7.5 AMPS  
4.2 OPERATING TEMPERATURE: -55°C TO +125°C  
4.3 DIELECTRIC WITHSTANDING VOLTAGE: LESS THAN 2 MILLIAMPS CURRENT LEAKAGE @ 1500 VOLTS AC  
4.4 INSULATION RESISTANCE: 1000 MEGOHMS MIN @ 25°C  
4.5 MOISTURE RESISTANCE: IP67 ( MATED CONDITION )  
4.6 MATING CYCLE DURABILITY: 100 CYCLES  
4.7 RoHS COMPLIANT

5. MATING PART: ATM06-12SX\*  
( X = A,B,C,D KEYS ; \* = MODIFICATIONS AND COLORS )

△ SEE SHEET 2 FOR OTHER KEY ARRANGEMENTS AND COLORS

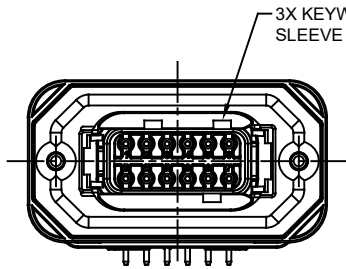
7. ALL DIMENSIONS ARE FOR REFERENCE USE ONLY

8. POTTED CONNECTORS SPECIFIED FOR UP TO 5 P.S.I. APPLICATIONS.

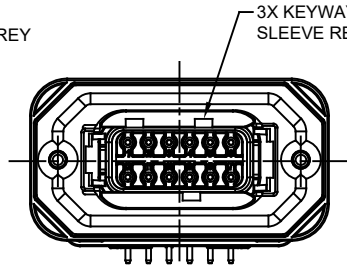
ATM13-12PX-BMXX		DTM13-12PA, DTM13-12PB, DTM13-12PC, DTM13-12PD, DTM13-12PA-G003, DTM13-12PB-G003, DTM13-12PC-G003, DTM13-12PD-G003		ITEM
QUANTITY	PART NUMBER	DESCRIPTION		
<b>MATERIALS LIST</b>				
UNLESS OTHERWISE SPECIFIED 1) All dimensions are in metric (mm). 2) Tolerances are as follows: 1 PL DEC ±0.30   Fractions ±1/64 2 PL DEC ±0.15   Angles ±1° 3 PL DEC ±0.08 3) Note reference = △		SIGNATURES DRAWN: SULLEN,ZHANG CHECKED: ORIONLI ENGINEER: TOMMY,XIE APPROVAL: TOMMY,XIE CUSTOMER: AMPHENOL		DATE 15JUN18 15JUN18 15JUN18
MATERIAL SPECIFICATIONS:		<div style="text-align: center;"> <h1>Amphenol</h1> <p>Sine Systems - www.amphenol-sine.com 44724 Morley Drive Clinton Township, MI 48036</p> </div>		
PROCESS SPECIFICATIONS:		BOARDLOCK PCB MOUNT RECEPTACLE, 12 PIN, RA FLANGE, ATM SERIES THIS DRAWING IS SUPPLIED FOR INFORMATION ONLY. DESIGN FEATURES, SPECIFICATIONS AND PERFORMANCE DATA SHOWN HEREON ARE THE PROPERTY OF THE AMPHENOL CORPORATION. NO RIGHTS OF REPRODUCTION ARE IMPLIED. ALL DIMENSIONS ARE SUBJECT TO NORMAL MANUFACTURING VARIATIONS.		
NEXT ASSY:		SIZE <b>B C-</b>	TYPE <b>ATM13-12PX-BMXX</b>	DWG NO. <b>A2</b>
		SCALE <b>NONE</b>	SHEET <b>1</b> OF <b>2</b>	

TITLE: PCB MOUNT RECEPTACLE, 12PIN, RA FLANGE, ATM SERIES  
DWG NO.: ATM13-12PX-BMXX  
REV: A2  
SH: 1  
OF: 2

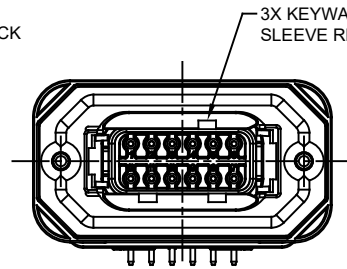
REVISIONS					
REV	ECO	DESCRIPTION	DATE	BY	APPR
A1	-	RELEASE NEW DRAWING	15JUN18	SULLEN	TOMMY
A2	-	REVISED DRAWING	10JUL20	JHEAD	DH



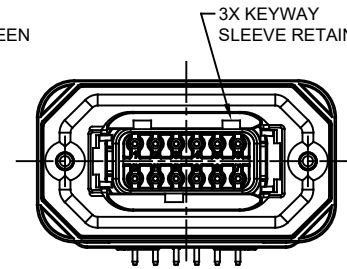
ATM13-12PA-BMXX  
KEY A



ATM13-12PB-BMXX  
KEY B



ATM13-12PC-BMXX  
KEY C



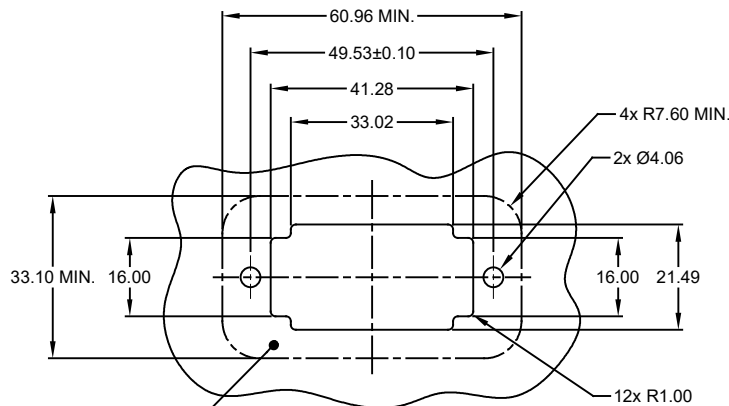
ATM13-12PD-BMXX  
KEY D

ATM13-12PA-BMXX VARIANTS		
CONTACT PLATING	POTTING OR NOT IN RESERVOIR	PART NUMBER
GOLD	NO POTTING	ATM13-12PA-BM01
GOLD	POTTING	ATM13-12PA-BM02
TIN	NO POTTING	ATM13-12PA-BM03
TIN	POTTING	ATM13-12PA-BM04

ATM13-12PB-BMXX VARIANTS		
CONTACT PLATING	POTTING OR NOT IN RESERVOIR	PART NUMBER
GOLD	NO POTTING	ATM13-12PB-BM01
GOLD	POTTING	ATM13-12PB-BM02
TIN	NO POTTING	ATM13-12PB-BM03
TIN	POTTING	ATM13-12PB-BM04

ATM13-12PC-BMXX VARIANTS		
CONTACT PLATING	POTTING OR NOT IN RESERVOIR	PART NUMBER
GOLD	NO POTTING	ATM13-12PC-BM01
GOLD	POTTING	ATM13-12PC-BM02
TIN	NO POTTING	ATM13-12PC-BM03
TIN	POTTING	ATM13-12PC-BM04

ATM13-12PD-BMXX VARIANTS		
CONTACT PLATING	POTTING OR NOT IN RESERVOIR	PART NUMBER
GOLD	NO POTTING	ATM13-12PD-BM01
GOLD	POTTING	ATM13-12PD-BM02
TIN	NO POTTING	ATM13-12PD-BM03
TIN	POTTING	ATM13-12PD-BM04



INTERNAL SEALING SURFACE  
FINISH TO BE  $\sqrt{3.2}$  OR BETTER

RECOMMENDED PANEL  
CUTOUT

ATM13-12PX-BMXX		DESCRIPTION		ITEM
QUANTITY	PART NUMBER	MATERIALS LIST		
<p>UNLESS OTHERWISE SPECIFIED:            1) All dimensions are in metric(mm).            2) Tolerances are as follows:            1 PL DEC ±0.30    Fractions ±1/64            2 PL DEC ±0.15    Angles ±1°            3 PL DEC ±0.08</p>				
SIGNATURES		DATE		
DRAWN: SULLEN,ZHANG		15JUN18		
CHECKED: ORION,LI		15JUN18		
ENGINEER:				
APPROVAL: TOMMY,XIE		15JUN18		
CUSTOMER:				
MATERIAL SPECIFICATIONS:		THIS DRAWING IS SUPPLIED FOR INFORMATION ONLY. DESIGN FEATURES, SPECIFICATIONS AND PERFORMANCE DATA SHOWN HEREON ARE THE PROPERTY OF THE AMPHENOL CORPORATION. NO RIGHTS OF REPRODUCTION ARE IMPLIED. ALL DIMENSIONS ARE SUBJECT TO NORMAL MANUFACTURING VARIATIONS.		
PROCESS SPECIFICATIONS:				
NEXT ASSY:				
Amphenol		Sine Systems - www.amphenol-sine.com 44724 Morley Drive Clinton Township, MI 48036		
BOARDLOCK PCB MOUNT RECEPTACLE, 12 PIN, RA FLANGE, ATM SERIES				
SIZE	TYPE	DWG NO.	REVISION	
B	C-	ATM13-12PX-BMXX	A2	
SCALE	NONE	SHEET 2		OF 2

TITLE: PCB MOUNT RECEPTACLE, 12PIN, RA FLANGE, ATM SERIES  
 DWG NO.: ATM13-12PX-BMXX  
 REV: A2  
 SH: 2  
 OF: 2

## X-ON Electronics

Largest Supplier of Electrical and Electronic Components

*Click to view similar products for [Automotive Connectors](#) category:*

*Click to view products by [Amphenol](#) manufacturer:*

Other Similar products are found below :

[003-018-000](#) [60403001](#) [60993906-B](#) [M902-2131](#) [M902-2161](#) [72.330.1035.1](#) [73.353.4028.0](#) [F119300-B](#) [F166900](#) [F258300-B](#) [F358300-B](#)  
[F407400](#) [F444110](#) [F487000](#) [F509500B-B](#) [827153-1](#) [8N1515-32-24P](#) [9-1326729-8](#) [925474-1](#) [928905-1](#) [964562-4](#) [968782-1](#) [GT17SA-8DS-](#)  
[HU](#) [98891-1012](#) [98947-1016](#) [12004475-L](#) [12010290](#) [12010309-B](#) [12015454](#) [12020219-B](#) [12020308](#) [12041318-B](#) [12052225-L](#) [12052466](#)  
[12059125](#) [12064869](#) [12004327-B](#) [12010503-B](#) [12015308](#) [12015384](#) [12015909](#) [1-21030-1](#) [12041254](#) [12041318](#) [12047946-B](#) [12047957](#)  
[12047957-L](#) [12059473](#) [12066261](#) [12110546](#)