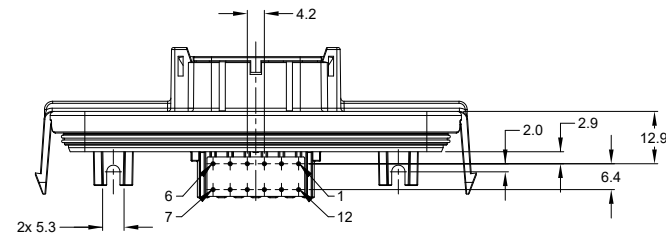
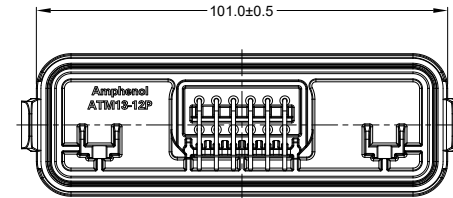
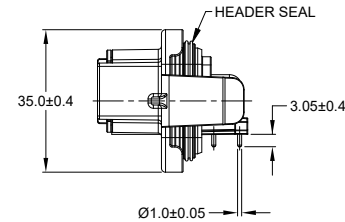
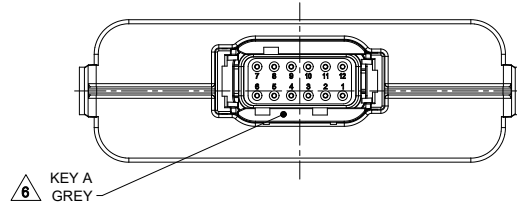
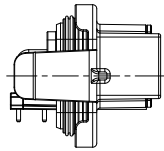
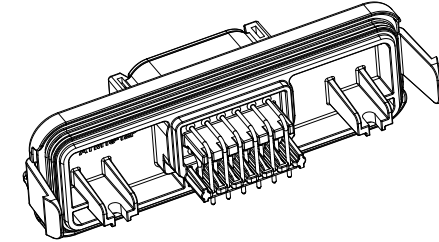
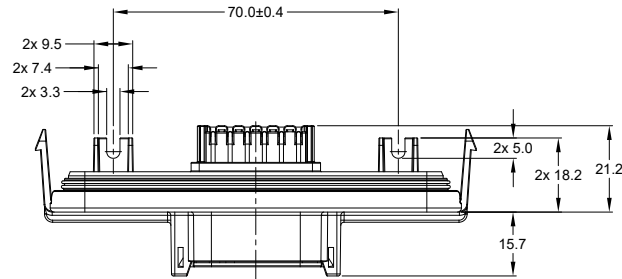


| REVISIONS |     |                               |         |        |       |
|-----------|-----|-------------------------------|---------|--------|-------|
| REV       | ECO | DESCRIPTION                   | DATE    | BY     | APPR  |
| A1        | -   | RELEASE NEW DRAWING           | 08JUN19 | SULLEN | TOMMY |
| A2        | -   | UPDATE DRAWING                | 29JUL19 | SULLEN | TOMMY |
| A3        |     | UPDATED SPACE LIMIT DIMENSION | 15JAN20 | SULLEN | TOMMY |



NOTES: UNLESS OTHERWISE SPECIFIED

- MATERIAL:  
HOUSING: THERMOPLASTIC, BLACK  
SEAL: SILICONE RUBBER  
CONTACT: COPPER ALLOY
- MODIFICATIONS: RA PCB MOUNT
- SPECIFICATIONS:  
3.1 CURRENT RATING: 7.5 AMPS  
3.2 OPERATING TEMPERATURE: -55°C TO +125°C  
3.3 DIELECTRIC WITHSTANDING VOLTAGE: LESS THAN 2 MILLIAMPS CURRENT LEAKAGE @ 1500 VOLTS AC  
3.4 INSULATION RESISTANCE: 1000 MEGOHMS MIN @ 25°C  
3.5 MOISTURE RESISTANCE: IP69K ( MATED CONDITION )  
3.6 MATING CYCLE DURABILITY: 100 CYCLES  
3.7 RoHS COMPLIANT
- MATING PART: ATM06-12SX-\*  
( X = A,B,C,D KEYS ; \* = ALL MODIFICATIONS)
- THIS RECEPTACLE IS USED WITH AIPXE-325X4A-XXXX AND AIPXE-325X4B-XXXX ENCLOSURE (XXXX= ALL MODIFICATIONS)

6. SEE SHEET 2 FOR OTHER KEY ARRANGEMENTS AND COLORS

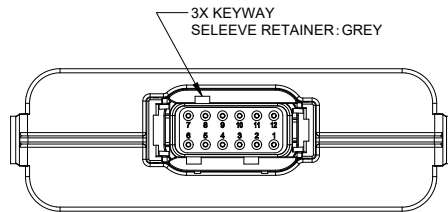
7. MAXIMUM COMPONENT HEIGHT DEPENDS ON LOCATION DUE TO PART DRAFT AND RIBS.(SEE SHEET 3)

8. ALL DIMENSIONS ARE FOR REFERENCE USE ONLY

| SEE SHEET 2  |             | DESCRIPTION  |      | ITEM  |
|--|-------------|--|------|---|
| QUANTITY   | PART NUMBER | MATERIALS LIST   |      |   |
| UNLESS OTHERWISE SPECIFIED<br>1) All dimensions are in metric(mm).<br>2) Tolerances are as follows:<br>1 PL DEC ±0.30<br>2 PL DEC ±0.15<br>3 PL DEC ±0.08<br>3) Note reference = |             | SIGNATURES   | DATE | <br>Sine Systems - www.amphenol-sine.com<br>44724 Morley Drive<br>Clinton Township, MI 48036<br><br>ARMOR IPX RECEPTACLE ATM HEADER,<br>12 POSITIONS, SIZE 20 CONTACT |
| DRAWN: SULLEN,ZHANG  |             | 15JAN20  |      |   |
| CHECKED: ORION,LI  |             | 16JAN20  |      |   |
| ENGINEER:  |             |  |      |   |
| APPROVAL: TOMMY,XIE  |             | 17JAN20  |      |   |
| MATERIAL SPECIFICATIONS:   |             | CUSTOMER:  |      |   |
| PROCESS SPECIFICATIONS:  |             | THIS DRAWING IS SUPPLIED FOR INFORMATION ONLY. DESIGN FEATURES, SPECIFICATIONS AND PERFORMANCE DATA SHOWN HEREON ARE THE PROPERTY OF THE AMPHENOL CORPORATION. NO RIGHTS OF REPRODUCTION ARE IMPLIED. ALL DIMENSIONS ARE SUBJECT TO NORMAL MANUFACTURING VARIATIONS. |      |   |
| NEXT ASSY:   |             | SIZE   | TYPE | DWG NO.   |
|  |             | B  | C-   | ATM13-12PX-XXXX   |
|  |             | SCALE:   | NONE | REVISION  |
|  |             |  |      | A3  |
|  |             |  |      | SHEET 1 OF 3  |

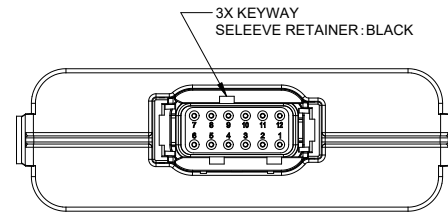
TITLE: ARMOR IPX RECEPTACLE ATM HDR, 12 POSITIONS, SIZE 20 CONTACT  
 DWG NO.: ATM13-12PX-XXXX  
 REV: A3  
 SH: 1  
 OF: 3

| REVISIONS |     |                               |         |        |       |
|-----------|-----|-------------------------------|---------|--------|-------|
| REV       | ECO | DESCRIPTION                   | DATE    | BY     | APPR  |
| A1        | -   | RELEASE NEW DRAWING           | 08JUN19 | SULLEN | TOMMY |
| A2        | -   | UPDATE DRAWING                | 29JUL19 | SULLEN | TOMMY |
| A3        | -   | UPDATED SPACE LIMIT DIMENSION | 15JAN20 | SULLEN | TOMMY |



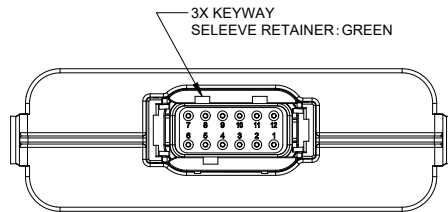
**KEY A**

| CONTACT PLATING | PART NUMBER     | REFERENCE       |
|-----------------|-----------------|-----------------|
| GOLD            | ATM13-12PA-GR01 | DTM13-12PA-GR01 |
| TIN             | ATM13-12PA-R008 | DTM13-12PA-R008 |



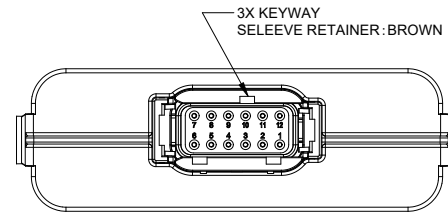
**KEY B**

| CONTACT PLATING | PART NUMBER     | REFERENCE       |
|-----------------|-----------------|-----------------|
| GOLD            | ATM13-12PB-GR01 | DTM13-12PB-GR01 |
| TIN             | ATM13-12PB-R008 | DTM13-12PB-R008 |



**KEY C**

| CONTACT PLATING | PART NUMBER     | REFERENCE       |
|-----------------|-----------------|-----------------|
| GOLD            | ATM13-12PC-GR01 | DTM13-12PC-GR01 |
| TIN             | ATM13-12PC-R008 | DTM13-12PC-R008 |



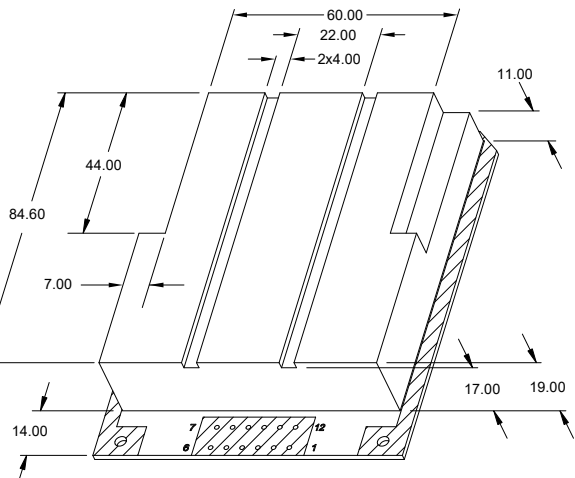
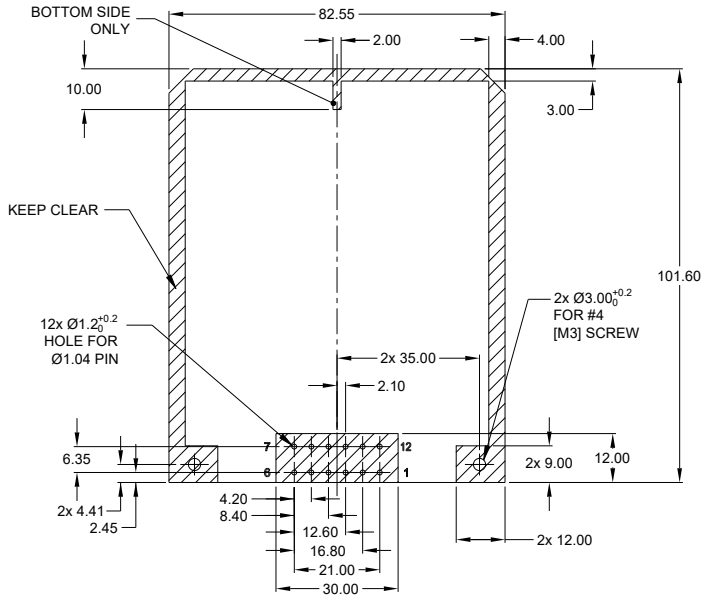
**KEY D**

| CONTACT PLATING | PART NUMBER     | REFERENCE       |
|-----------------|-----------------|-----------------|
| GOLD            | ATM13-12PD-GR01 | DTM13-12PD-GR01 |
| TIN             | ATM13-12PD-R008 | DTM13-12PD-R008 |

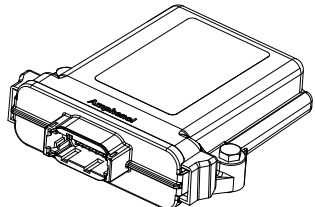
|  |  |  |  |   |
|--|--|--|--|---|
| ATM13-12PX-XXXX  |  | DESCRIPTION  |  | ITEM  |
| PART NUMBER  |  |  |  |   |
| QUANTITY   |  | MATERIALS LIST   |  |   |
| UNLESS OTHERWISE SPECIFIED<br>1) All dimensions are in metric(mm).<br>2) Tolerances are as follows:<br>1 PL DEC ±0.30<br>2 PL DEC ±0.15<br>3 PL DEC ±0.08<br>3) Note reference = |  | SIGNATURES      DATE<br>DRAWN: SULLENZHANG      15JAN20<br>CHECKED: ORIONLI      16JAN20<br>ENGINEER:<br>APPROVAL: TOMMYXIE      17JAN20<br>CUSTOMER:  |  | <b>Amphenol</b><br>Sine Systems - www.amphenol-sine.com<br>44724 Morley Drive<br>Clinton Township, MI 48036 |
| MATERIAL SPECIFICATIONS:   |  | THIS DRAWING IS SUPPLIED FOR INFORMATION ONLY. DESIGN FEATURES, SPECIFICATIONS AND PERFORMANCE DATA SHOWN HEREON ARE THE PROPERTY OF THE AMPHENOL CORPORATION. NO RIGHTS OF REPRODUCTION ARE IMPLIED. ALL DIMENSIONS ARE SUBJECT TO NORMAL MANUFACTURING VARIATIONS. |  |   |
| PROCESS SPECIFICATIONS:  |  | SIZE      TYPE      DWG NO.<br><b>B C-</b> ATM13-12PX-XXXX      A3   |  | SCALE: NONE      SHEET 2 OF 3   |
| NEXT ASSY:   |  |  |  |   |

TITLE: ARMOR IPX RECEPTACLE ATM HDR, 12 POSITIONS, SIZE 20 CONTACT  
 DWG NO.: ATM13-12PX-XXXX  
 REV: A3  
 SH: 2  
 OF: 3

CIRCUIT BOARD HOLE LOCATIONS  
AND KEEP CLEAR AREAS FOR  
ATM13-12PX-R008  
ATM13-12PX-GR01  
ALL DIMENSIONS REFERENCE  
TOP VIEW

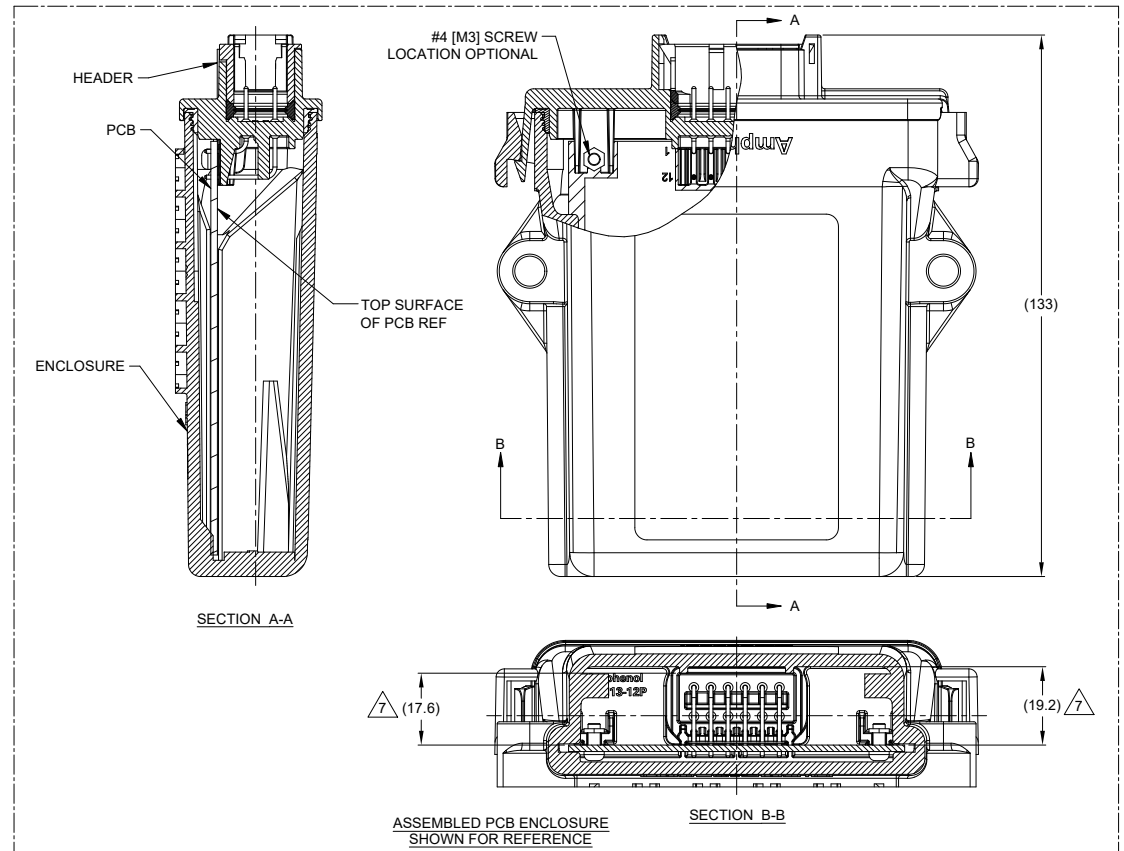


THREE DIMENSIONAL SPACE LIMIT  
APPROXIMATE INTERNAL SPACE  
FOR COMPONENT SPACE LAYOUT  
MAX. COMPONENT HEIGHT UNDER BOARD 2.00 mm.



3D VIEW  
AIPXE-325X4A-XXXX AND  
AIPXE-325X4B-XXXX ENCLOSURE AND  
MOUNTING HARDWARE SHOWN FOR REFERENCE

| REVISIONS |     |                               |         |        |       |
|-----------|-----|-------------------------------|---------|--------|-------|
| REV       | ECO | DESCRIPTION                   | DATE    | BY     | APPR  |
| A1        | -   | RELEASE NEW DRAWING           | 08JUN19 | SULLEN | TOMMY |
| A2        | -   | UPDATE DRAWING                | 29JUL19 | SULLEN | TOMMY |
| A3        | -   | UPDATED SPACE LIMIT DIMENSION | 15JAN20 | SULLEN | TOMMY |



| SEE SHEET 2                           |             | DESCRIPTION  |  | ITEM     |
|---------------------------------------|-------------|--|--|----------|
| QUANTITY                              | PART NUMBER | MATERIALS LIST   |  |          |
| UNLESS OTHERWISE SPECIFIED            |             |  |  |          |
| 1) All dimensions are in metric (mm). |             |  |  |          |
| 2) Tolerances are as follows:         |             |  |  |          |
| 1 PL DEC ±0.30 Fractions ±1/64        |             |  |  |          |
| 2 PL DEC ±0.15 Angles ±1°             |             |  |  |          |
| 3 PL DEC ±0.08                        |             |  |  |          |
| 3) Note reference =                   |             |  |  |          |
| MATERIAL SPECIFICATIONS:              |             | SIGNATURES DATE  |  |          |
| DRAWN:                                |             | SULLEN,ZHANG   |  | 15JAN20  |
| CHECKED:                              |             | ORONLI   |  | 16JAN20  |
| ENGINEER:                             |             |  |  |          |
| APPROVAL:                             |             | TOMMY,XIE  |  | 17JAN20  |
| CUSTOMER:                             |             |  |  |          |
| PROCESS SPECIFICATIONS:               |             | THIS DRAWING IS SUPPLIED FOR INFORMATION ONLY. DESIGN FEATURES, SPECIFICATIONS AND PERFORMANCE DATA SHOWN HEREON ARE THE PROPERTY OF THE AMPHENOL CORPORATION. NO RIGHTS OF REPRODUCTION ARE IMPLIED. ALL DIMENSIONS ARE SUBJECT TO NORMAL MANUFACTURING VARIATIONS. |  |          |
| NEXT ASSY:                            |             | SCALE: NONE  |  |          |
|                                       |             | SIZE TYPE DWG NO:  |  | REVISION |
|                                       |             | B C- ATM13-12PX-XXXX   |  | A3       |
|                                       |             | SHEET 3 OF 3   |  |          |

**Amphenol**  
Sine Systems - www.amphenol-sine.com  
44724 Morley Drive  
Clinton Township, MI 48036

ARMOR IPX RECEPTACLE ATM HDR, 12 POSITIONS, SIZE 20 CONTACT

TITLE: ARMOR IPX RECEPTACLE ATM HDR, 12 POSITIONS, SIZE 20 CONTACT  
DWG NO.: ATM13-12PX-XXXX  
REV: A3  
SH: 3  
OF: 3

## X-ON Electronics

Largest Supplier of Electrical and Electronic Components

*Click to view similar products for [Automotive Connectors](#) category:*

*Click to view products by [Amphenol](#) manufacturer:*

Other Similar products are found below :

[003-018-000](#) [60403001](#) [60993906-B](#) [M902-2131](#) [M902-2161](#) [72.330.1035.1](#) [73.353.4028.0](#) [F119300-B](#) [F166900](#) [F258300-B](#) [F358300-B](#)  
[F407400](#) [F444110](#) [F487000](#) [F509500B-B](#) [827153-1](#) [8N1515-32-24P](#) [9-1326729-8](#) [925474-1](#) [928905-1](#) [964562-4](#) [968782-1](#) [GT17SA-8DS-](#)  
[HU](#) [98891-1012](#) [98947-1016](#) [12004475-L](#) [12010290](#) [12010309-B](#) [12015454](#) [12020219-B](#) [12020308](#) [12041318-B](#) [12052225-L](#) [12052466](#)  
[12059125](#) [12064869](#) [12004327-B](#) [12010503-B](#) [12015308](#) [12015384](#) [12015909](#) [1-21030-1](#) [12041254](#) [12041318](#) [12047946-B](#) [12047957](#)  
[12047957-L](#) [12059473](#) [12066261](#) [12110546](#)