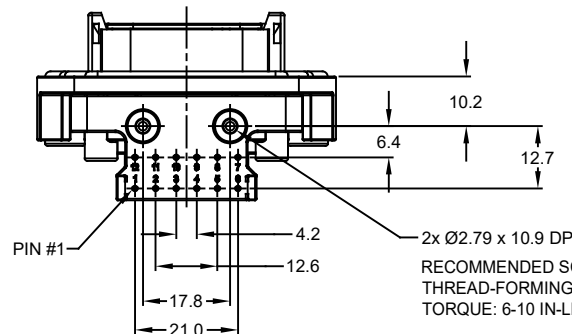
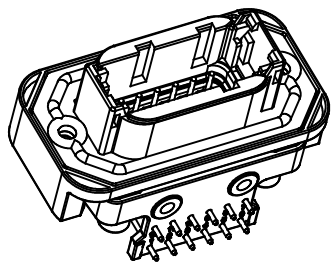
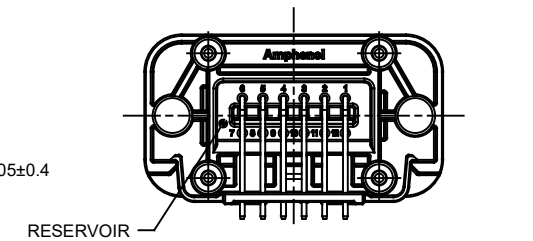
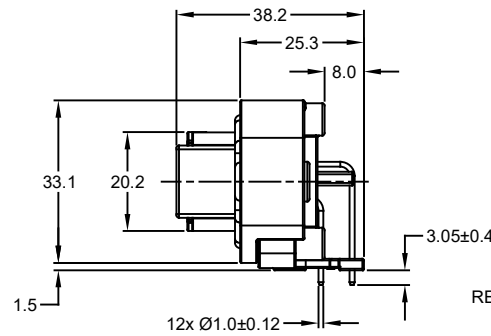
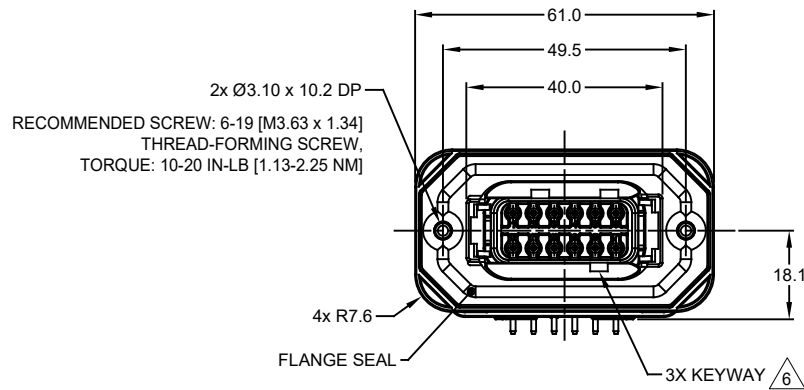
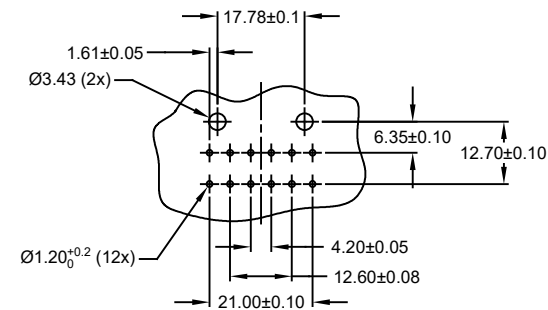


| REVISIONS | | | | | |
|-----------|-----|---------------------|---------|--------|-------|
| REV | ECO | DESCRIPTION | DATE | BY | APPR |
| A1 | - | RELEASE NEW DRAWING | 15JUN18 | SULLEN | TOMMY |
| A2 | - | REVISED DRAWING | 10JUL20 | JHEAD | DH |



RECOMMENDED SCREW: 4-20 [M3.12 x 1.27]
THREAD-FORMING SCREW,
TORQUE: 6-10 IN-LB [0.68-1.13 NM]



RECOMMENDED PCB LAYOUT
VIEW FROM COMPONENTS
SIDE OF PCB

NOTES: UNLESS OTHERWISE SPECIFIED

- MATERIAL:
HOUSING: THERMOPLASTIC, GREY
SEAL: SILICONE RUBBER
CONTACT: COPPER ALLOY
- CONTACT PLATING: SEE SHEET 2
- MODIFICATIONS: FLANGE; RA PCB MOUNT
- SPECIFICATIONS:
4.1 CURRENT RATING: 7.5 AMPS
4.2 OPERATING TEMPERATURE: -55°C TO +125°C
4.3 DIELECTRIC WITHSTANDING VOLTAGE: LESS THAN 2 MILLIAMPS CURRENT LEAKAGE @ 1500 VOLTS AC
4.4 INSULATION RESISTANCE: 1000 MEGOHMS MIN @ 25°C
4.5 MOISTURE RESISTANCE: IP67 (MATED CONDITION)
4.6 MATING CYCLE DURABILITY: 100 CYCLES
4.7 RoHS COMPLIANT

5. MATING PART: ATM06-12SX*
(X = A,B,C,D KEYS ; * = MODIFICATIONS AND COLORS)

△ SEE SHEET 2 FOR OTHER KEY ARRANGEMENTS AND COLORS

7. ALL DIMENSIONS ARE FOR REFERENCE USE ONLY

8. POTTED CONNECTORS SPECIFIED FOR UP TO 5 P.S.I. APPLICATIONS.

| ATM13-12PX-BMXX | | DTM13-12PA, DTM13-12PB, DTM13-12PC, DTM13-12PD, DTM13-12PA-G003, DTM13-12PB-G003, DTM13-12PC-G003, DTM13-12PD-G003 | | ITEM |
|--|-------------|---|--------------------------------|---------------------------------------|
| QUANTITY | PART NUMBER | DESCRIPTION | | ITEM |
| MATERIALS LIST | | | | |
| UNLESS OTHERWISE SPECIFIED 1) All dimensions are in metric (mm). 2) Tolerances are as follows: 1 PL DEC ±0.30 Fractions ±1/64 2 PL DEC ±0.15 Angles ±1° 3 PL DEC ±0.08 3) Note reference = △ | | SIGNATURES DRAWN: SULLEN,ZHANG CHECKED: ORIONLI ENGINEER: TOMMY,XIE APPROVAL: TOMMY,XIE CUSTOMER: AMPHENOL | | DATE 15JUN18 15JUN18 15JUN18 |
| MATERIAL SPECIFICATIONS: | | <p>Amphenol</p> <p>Sine Systems - www.amphenol-sine.com 44724 Morley Drive Clinton Township, MI 48036</p> <p>BOARDLOCK PCB MOUNT RECEPTACLE, 12 PIN, RA FLANGE, ATM SERIES</p> | | |
| PROCESS SPECIFICATIONS: | | <p>THIS DRAWING IS SUPPLIED FOR INFORMATION ONLY. DESIGN FEATURES, SPECIFICATIONS AND PERFORMANCE DATA SHOWN HEREON ARE THE PROPERTY OF THE AMPHENOL CORPORATION. NO RIGHTS OF REPRODUCTION ARE IMPLIED. ALL DIMENSIONS ARE SUBJECT TO NORMAL MANUFACTURING VARIATIONS.</p> | | |
| NEXT ASSY: | | SIZE B C- | TYPE ATM13-12PX-BMXX | DWG NO. A2 |
| | | SCALE NONE | SHEET 1 OF 2 | |

TITLE: PCB MOUNT RECEPTACLE, 12PIN, RA FLANGE, ATM SERIES

DWG NO:

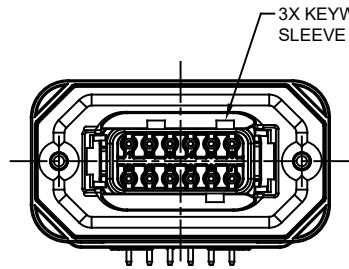
ATM13-12PX-BMXX

REV: A2

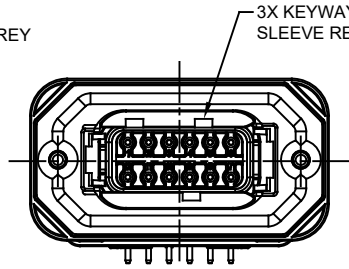
SH: 1

OF: 2

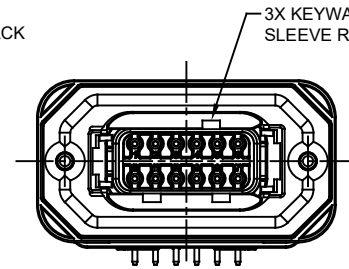
| REVISIONS | | | | | |
|-----------|-----|---------------------|---------|--------|-------|
| REV | ECO | DESCRIPTION | DATE | BY | APPR |
| A1 | - | RELEASE NEW DRAWING | 15JUN18 | SULLEN | TOMMY |
| A2 | - | REVISED DRAWING | 10JUL20 | JHEAD | DH |



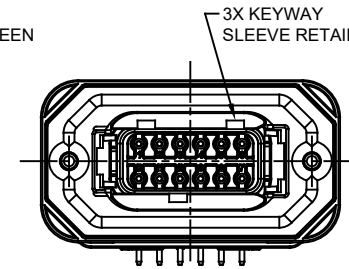
ATM13-12PA-BMXX
KEY A



ATM13-12PB-BMXX
KEY B



ATM13-12PC-BMXX
KEY C



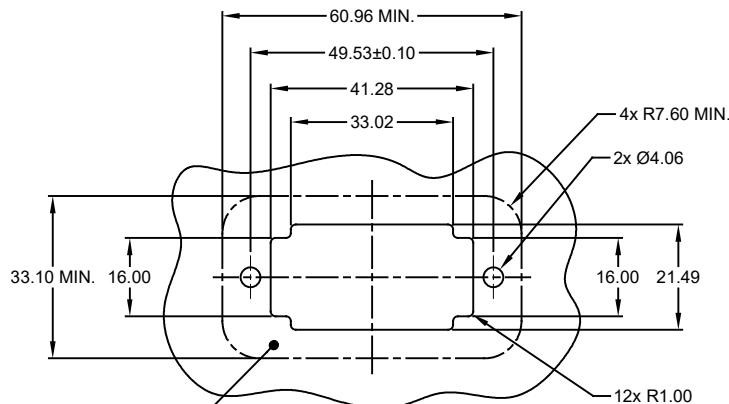
ATM13-12PD-BMXX
KEY D

| ATM13-12PA-BMXX VARIANTS | | |
|--------------------------|-----------------------------|-----------------|
| CONTACT PLATING | POTTING OR NOT IN RESERVOIR | PART NUMBER |
| GOLD | NO POTTING | ATM13-12PA-BM01 |
| GOLD | POTTING | ATM13-12PA-BM02 |
| TIN | NO POTTING | ATM13-12PA-BM03 |
| TIN | POTTING | ATM13-12PA-BM04 |

| ATM13-12PB-BMXX VARIANTS | | |
|--------------------------|-----------------------------|-----------------|
| CONTACT PLATING | POTTING OR NOT IN RESERVOIR | PART NUMBER |
| GOLD | NO POTTING | ATM13-12PB-BM01 |
| GOLD | POTTING | ATM13-12PB-BM02 |
| TIN | NO POTTING | ATM13-12PB-BM03 |
| TIN | POTTING | ATM13-12PB-BM04 |

| ATM13-12PC-BMXX VARIANTS | | |
|--------------------------|-----------------------------|-----------------|
| CONTACT PLATING | POTTING OR NOT IN RESERVOIR | PART NUMBER |
| GOLD | NO POTTING | ATM13-12PC-BM01 |
| GOLD | POTTING | ATM13-12PC-BM02 |
| TIN | NO POTTING | ATM13-12PC-BM03 |
| TIN | POTTING | ATM13-12PC-BM04 |

| ATM13-12PD-BMXX VARIANTS | | |
|--------------------------|-----------------------------|-----------------|
| CONTACT PLATING | POTTING OR NOT IN RESERVOIR | PART NUMBER |
| GOLD | NO POTTING | ATM13-12PD-BM01 |
| GOLD | POTTING | ATM13-12PD-BM02 |
| TIN | NO POTTING | ATM13-12PD-BM03 |
| TIN | POTTING | ATM13-12PD-BM04 |



INTERNAL SEALING SURFACE
FINISH TO BE $\sqrt{0.13}$ OR BETTER

RECOMMENDED PANEL
CUTOUT

| ATM13-12PX-BMXX | | DESCRIPTION | | ITEM |
|--|-------------|--|----------|------|
| QUANTITY | PART NUMBER | MATERIALS LIST | | |
| <p>UNLESS OTHERWISE SPECIFIED: 1) All dimensions are in metric(mm). 2) Tolerances are as follows: 1 PL DEC ±0.30 Fractions ±1/64 2 PL DEC ±0.15 Angles ±1° 3 PL DEC ±0.08</p> | | | | |
| SIGNATURES | | DATE | | |
| DRAWN: SULLEN,ZHANG | | 15JUN18 | | |
| CHECKED: ORION,LI | | 15JUN18 | | |
| ENGINEER: | | | | |
| APPROVAL: TOMMY,XIE | | 15JUN18 | | |
| CUSTOMER: | | | | |
| MATERIAL SPECIFICATIONS: | | THIS DRAWING IS SUPPLIED FOR INFORMATION ONLY. DESIGN FEATURES, SPECIFICATIONS AND PERFORMANCE DATA SHOWN HEREON ARE THE PROPERTY OF THE AMPHENOL CORPORATION. NO RIGHTS OF REPRODUCTION ARE IMPLIED. ALL DIMENSIONS ARE SUBJECT TO NORMAL MANUFACTURING VARIATIONS. | | |
| PROCESS SPECIFICATIONS: | | | | |
| NEXT ASSY: | | | | |
| Amphenol | | Sine Systems - www.amphenol-sine.com 44724 Morley Drive Clinton Township, MI 48036 | | |
| BOARDLOCK PCB MOUNT RECEPTACLE, 12 PIN, RA FLANGE, ATM SERIES | | | | |
| SIZE | TYPE | DWG NO. | REVISION | |
| B | C- | ATM13-12PX-BMXX | A2 | |
| SCALE | NONE | SHEET 2 | | OF 2 |

TITLE: PCB MOUNT RECEPTACLE, 12PIN, RA FLANGE, ATM SERIES
 DWG NO.: ATM13-12PX-BMXX
 REV: A2
 SH: 2
 OF: 2

X-ON Electronics

Largest Supplier of Electrical and Electronic Components

Click to view similar products for [Automotive Connectors](#) category:

Click to view products by [Amphenol](#) manufacturer:

Other Similar products are found below :

[003-018-000](#) [60403001](#) [60993906-B](#) [M902-2131](#) [M902-2161](#) [72.330.1035.1](#) [73.353.4028.0](#) [F119300-B](#) [F166900](#) [F258300-B](#) [F358300-B](#)
[F407400](#) [F444110](#) [F487000](#) [F509500B-B](#) [827153-1](#) [8N1515-32-24P](#) [9-1326729-8](#) [925474-1](#) [928905-1](#) [964562-4](#) [968782-1](#) [GT17SA-8DS-](#)
[HU](#) [98891-1012](#) [98947-1016](#) [12004475-L](#) [12010290](#) [12010309-B](#) [12015454](#) [12020219-B](#) [12020308](#) [12041318-B](#) [12052225-L](#) [12052466](#)
[12059125](#) [12064869](#) [12004327-B](#) [12010503-B](#) [12015308](#) [12015384](#) [12015909](#) [1-21030-1](#) [12041254](#) [12041318](#) [12047946-B](#) [12047957](#)
[12047957-L](#) [12059473](#) [12066261](#) [12110546](#)