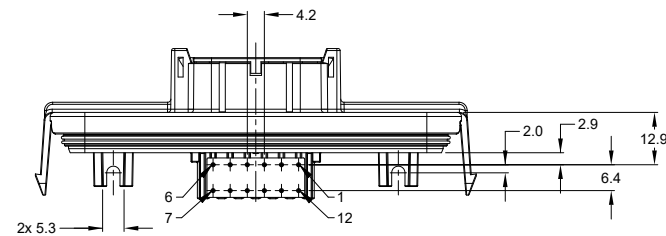
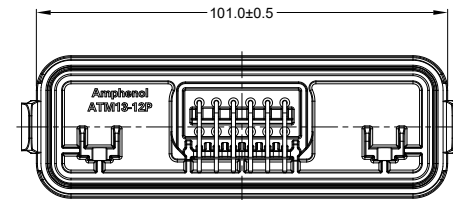
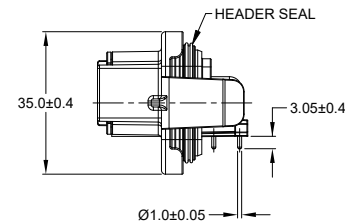
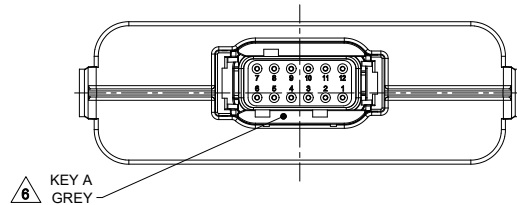
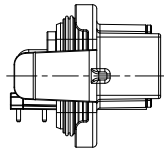
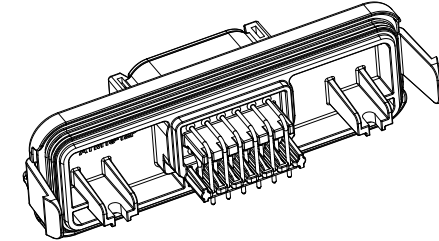
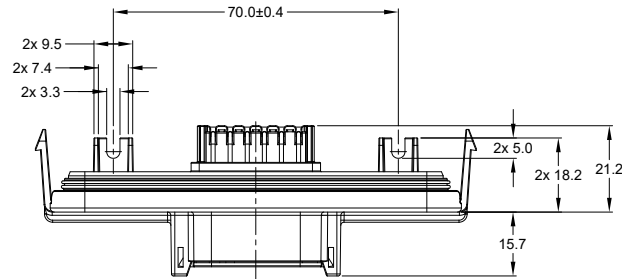


REVISIONS					
REV	ECO	DESCRIPTION	DATE	BY	APPR
A1	-	RELEASE NEW DRAWING	08JUN19	SULLEN	TOMMY
A2	-	UPDATE DRAWING	29JUL19	SULLEN	TOMMY
A3		UPDATED SPACE LIMIT DIMENSION	15JAN20	SULLEN	TOMMY



NOTES: UNLESS OTHERWISE SPECIFIED

- MATERIAL:  
HOUSING: THERMOPLASTIC, BLACK  
SEAL: SILICONE RUBBER  
CONTACT: COPPER ALLOY
- MODIFICATIONS: RA PCB MOUNT
- SPECIFICATIONS:  
3.1 CURRENT RATING: 7.5 AMPS  
3.2 OPERATING TEMPERATURE: -55°C TO +125°C  
3.3 DIELECTRIC WITHSTANDING VOLTAGE: LESS THAN 2 MILLIAMPS CURRENT LEAKAGE @ 1500 VOLTS AC  
3.4 INSULATION RESISTANCE: 1000 MEGOHMS MIN @ 25°C  
3.5 MOISTURE RESISTANCE: IP69K ( MATED CONDITION )  
3.6 MATING CYCLE DURABILITY: 100 CYCLES  
3.7 RoHS COMPLIANT
- MATING PART: ATM06-12SX-\*  
(\* X = A,B,C,D KEYS ; \* = ALL MODIFICATIONS)
- THIS RECEPTACLE IS USED WITH AIPXE-325X4A-XXXX AND AIPXE-325X4B-XXXX ENCLOSURE (XXXX= ALL MODIFICATIONS)

6. SEE SHEET 2 FOR OTHER KEY ARRANGEMENTS AND COLORS

7. MAXIMUM COMPONENT HEIGHT DEPENDS ON LOCATION DUE TO PART DRAFT AND RIBS.(SEE SHEET 3)

8. ALL DIMENSIONS ARE FOR REFERENCE USE ONLY

SEE SHEET 2		DESCRIPTION		ITEM
QUANTITY	PART NUMBER	MATERIALS LIST		
UNLESS OTHERWISE SPECIFIED 1) All dimensions are in metric(mm). 2) Tolerances are as follows: 1 PL DEC ±0.30 2 PL DEC ±0.15 3 PL DEC ±0.08 3) Note reference =		SIGNATURES	DATE	
DRAWN: SULLEN,ZHANG		15JAN20		
CHECKED: ORION,LI		16JAN20		
ENGINEER:				
APPROVAL: TOMMY,XIE		17JAN20		
CUSTOMER:				
MATERIAL SPECIFICATIONS:		THIS DRAWING IS SUPPLIED FOR INFORMATION ONLY. DESIGN FEATURES, SPECIFICATIONS AND PERFORMANCE DATA SHOWN HEREON ARE THE PROPERTY OF THE AMPHENOL CORPORATION. NO RIGHTS OF REPRODUCTION ARE IMPLIED. ALL DIMENSIONS ARE SUBJECT TO NORMAL MANUFACTURING VARIATIONS.		
PROCESS SPECIFICATIONS:		SIZE	TYPE	DWG NO.
NEXT ASSY:		B C-	ATM13-12PX-XXXX	A3
		SCALE:	NONE	SHEET 1 OF 3

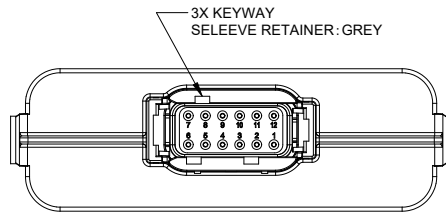
**Amphenol**

Sine Systems - www.amphenol-sine.com  
44724 Morley Drive  
Clinton Township, MI 48036

ARMOR IPX RECEPTACLE ATM HEADER,  
12 POSITIONS, SIZE 20 CONTACT

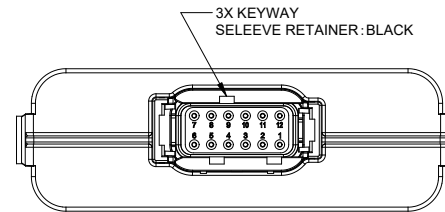
TITLE: ARMOR IPX RECEPTACLE ATM HDR, 12 POSITIONS, SIZE 20 CONTACT  
DWG NO.: ATM13-12PX-XXXX  
REV: A3  
SH: 1  
OF: 3

REVISIONS					
REV	ECO	DESCRIPTION	DATE	BY	APPR
A1	-	RELEASE NEW DRAWING	08JUN19	SULLEN	TOMMY
A2	-	UPDATE DRAWING	29JUL19	SULLEN	TOMMY
A3	-	UPDATED SPACE LIMIT DIMENSION	15JAN20	SULLEN	TOMMY



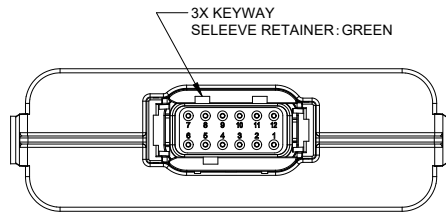
KEY A

CONTACT PLATING	PART NUMBER	REFERENCE
GOLD	ATM13-12PA-GR01	DTM13-12PA-GR01
TIN	ATM13-12PA-R008	DTM13-12PA-R008



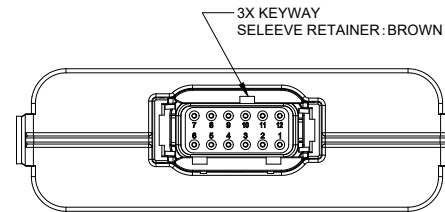
KEY B

CONTACT PLATING	PART NUMBER	REFERENCE
GOLD	ATM13-12PB-GR01	DTM13-12PB-GR01
TIN	ATM13-12PB-R008	DTM13-12PB-R008



KEY C

CONTACT PLATING	PART NUMBER	REFERENCE
GOLD	ATM13-12PC-GR01	DTM13-12PC-GR01
TIN	ATM13-12PC-R008	DTM13-12PC-R008



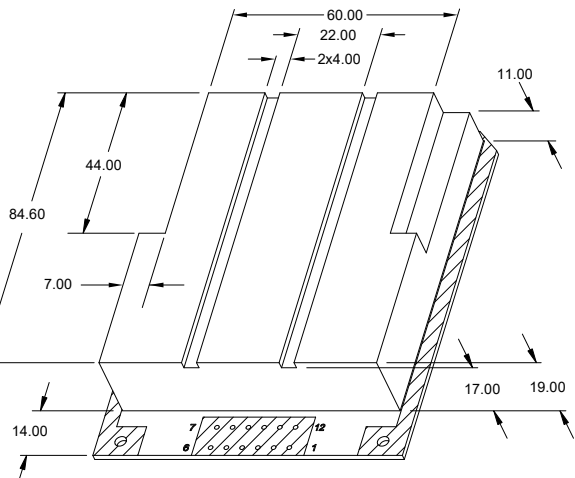
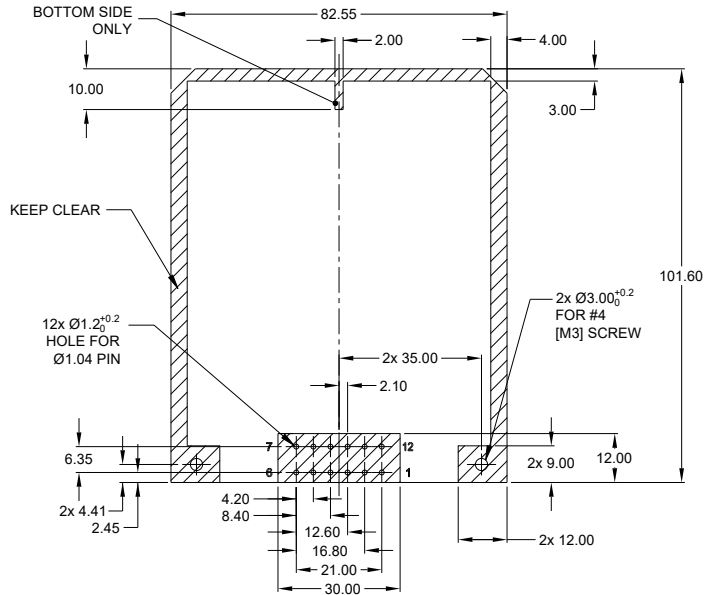
KEY D

CONTACT PLATING	PART NUMBER	REFERENCE
GOLD	ATM13-12PD-GR01	DTM13-12PD-GR01
TIN	ATM13-12PD-R008	DTM13-12PD-R008

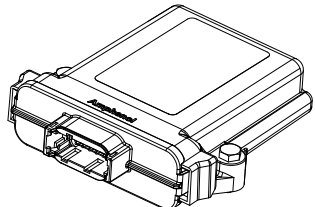
ATM13-12PX-XXXX		DESCRIPTION		ITEM
PART NUMBER				
QUANTITY		MATERIALS LIST		
UNLESS OTHERWISE SPECIFIED 1) All dimensions are in metric(mm). 2) Tolerances are as follows: 1 PL DEC ±0.30 2 PL DEC ±0.15 3 PL DEC ±0.08 3) Note reference =		SIGNATURES      DATE DRAWN: SULLENZHANG      15JAN20 CHECKED: ORIONLI      16JAN20 ENGINEER: APPROVAL: TOMMYXIE      17JAN20 CUSTOMER:		 Sine Systems - www.amphenol-sine.com 44724 Morley Drive Clinton Township, MI 48036
MATERIAL SPECIFICATIONS:		THIS DRAWING IS SUPPLIED FOR INFORMATION ONLY. DESIGN FEATURES, SPECIFICATIONS AND PERFORMANCE DATA SHOWN HEREON ARE THE PROPERTY OF THE AMPHENOL CORPORATION. NO RIGHTS OF REPRODUCTION ARE IMPLIED. ALL DIMENSIONS ARE SUBJECT TO NORMAL MANUFACTURING VARIATIONS.		
PROCESS SPECIFICATIONS:		SIZE      TYPE      DWG NO. <b>B C-</b> ATM13-12PX-XXXX      A3		SCALE: NONE      SHEET 2 OF 3
NEXT ASSY:				

TITLE: ARMOR IPX RECEPTACLE ATM HDR, 12 POSITIONS, SIZE 20 CONTACT  
 DWG NO.: ATM13-12PX-XXXX  
 REV: A3  
 SH: 2  
 OF: 3

CIRCUIT BOARD HOLE LOCATIONS  
AND KEEP CLEAR AREAS FOR  
ATM13-12PX-R008  
ATM13-12PX-GR01  
ALL DIMENSIONS REFERENCE  
TOP VIEW

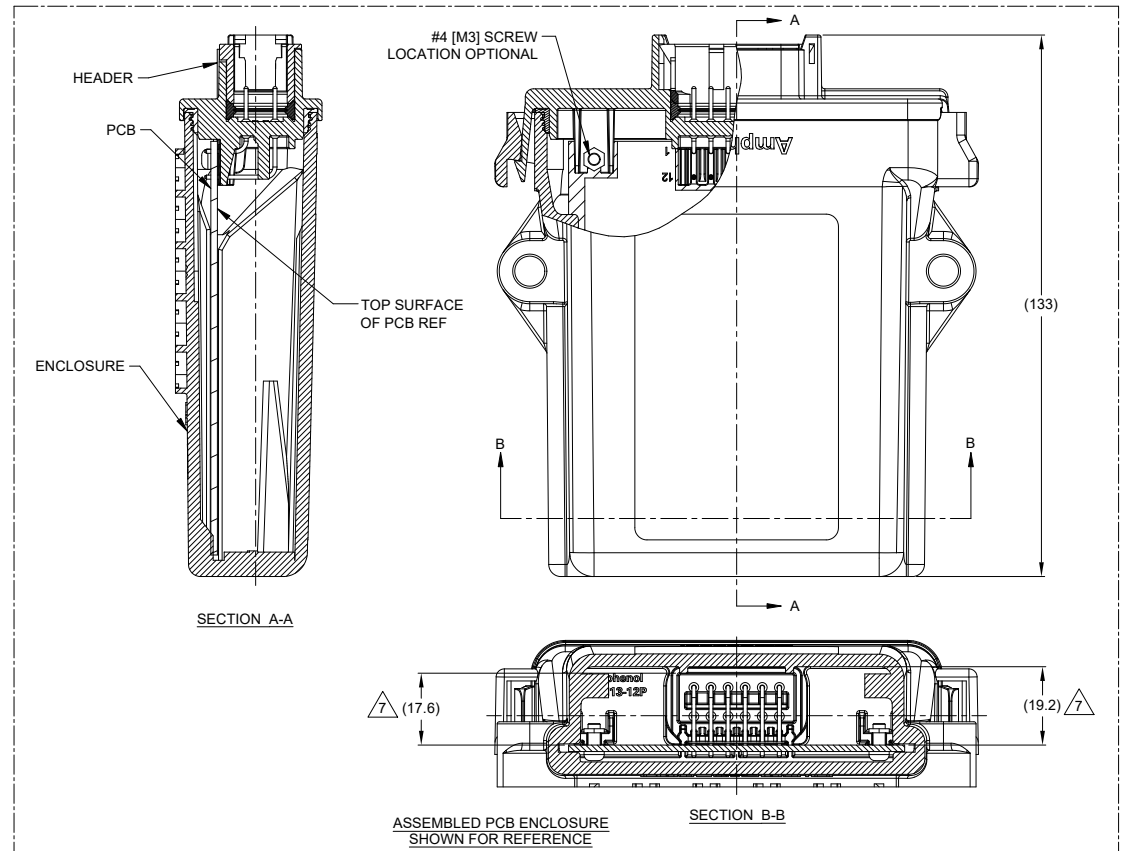


THREE DIMENSIONAL SPACE LIMIT  
APPROXIMATE INTERNAL SPACE  
FOR COMPONENT SPACE LAYOUT  
MAX. COMPONENT HEIGHT UNDER BOARD 2.00 mm.



3D VIEW  
AIPXE-325X4A-XXXX AND  
AIPXE-325X4B-XXXX ENCLOSURE AND  
MOUNTING HARDWARE SHOWN FOR REFERENCE

REVISIONS					
REV	ECO	DESCRIPTION	DATE	BY	APPR
A1	-	RELEASE NEW DRAWING	08JUN19	SULLEN	TOMMY
A2	-	UPDATE DRAWING	29JUL19	SULLEN	TOMMY
A3	-	UPDATED SPACE LIMIT DIMENSION	15JAN20	SULLEN	TOMMY



SEE SHEET 2		DESCRIPTION		ITEM
QUANTITY	PART NUMBER	MATERIALS LIST		
UNLESS OTHERWISE SPECIFIED				
1) All dimensions are in metric (mm).				
2) Tolerances are as follows:				
1 PL DEC ±0.30 Fractions ±1/64				
2 PL DEC ±0.15 Angles ±1°				
3 PL DEC ±0.08				
3) Note reference =				
SIGNATURES		DATE		
DRAWN: SULENZHANG		15JAN20		
CHECKED: ORONLI		16JAN20		
ENGINEER:				
APPROVAL: TOMMY.XIE		17JAN20		
MATERIAL SPECIFICATIONS:		CUSTOMER:		
PROCESS SPECIFICATIONS:		THIS DRAWING IS SUPPLIED FOR INFORMATION ONLY. DESIGN FEATURES, SPECIFICATIONS AND PERFORMANCE DATA SHOWN HEREON ARE THE PROPERTY OF THE AMPHENOL CORPORATION. NO RIGHTS OF REPRODUCTION ARE IMPLIED. ALL DIMENSIONS ARE SUBJECT TO NORMAL MANUFACTURING VARIATIONS.		
NEXT ASSY:		SCALE: NONE		
		SIZE TYPE DWG NO:		REVISION
		B C- ATM13-12PX-XXXX		A3
		SHEET 3 OF 3		

**Amphenol**  
Sine Systems - www.amphenol-sine.com  
44724 Morley Drive  
Clinton Township, MI 48036

ARMOR IPX RECEPTACLE ATM HDR, 12 POSITIONS, SIZE 20 CONTACT

TITLE: ARMOR IPX RECEPTACLE ATM HDR, 12 POSITIONS, SIZE 20 CONTACT  
DWG NO.: ATM13-12PX-XXXX  
REV: A3  
SH: 3  
OF: 3

## X-ON Electronics

Largest Supplier of Electrical and Electronic Components

*Click to view similar products for [Automotive Connectors](#) category:*

*Click to view products by [Amphenol](#) manufacturer:*

Other Similar products are found below :

[003-018-000](#) [60403001](#) [60993906-B](#) [M902-2131](#) [M902-2161](#) [72.330.1035.1](#) [73.353.4028.0](#) [F119300-B](#) [F166900](#) [F258300-B](#) [F358300-B](#)  
[F407400](#) [F444110](#) [F487000](#) [F509500B-B](#) [827153-1](#) [8N1515-32-24P](#) [9-1326729-8](#) [925474-1](#) [928905-1](#) [964562-4](#) [968782-1](#) [GT17SA-8DS-](#)  
[HU](#) [98891-1012](#) [98947-1016](#) [12004475-L](#) [12010290](#) [12010309-B](#) [12015454](#) [12020219-B](#) [12020308](#) [12041318-B](#) [12052225-L](#) [12052466](#)  
[12059125](#) [12064869](#) [12004327-B](#) [12010503-B](#) [12015308](#) [12015384](#) [12015909](#) [1-21030-1](#) [12041254](#) [12041318](#) [12047946-B](#) [12047957](#)  
[12047957-L](#) [12059473](#) [12066261](#) [12110546](#)