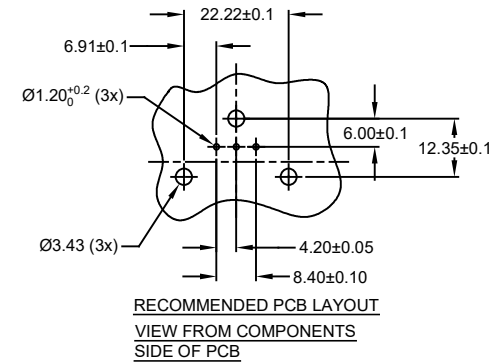
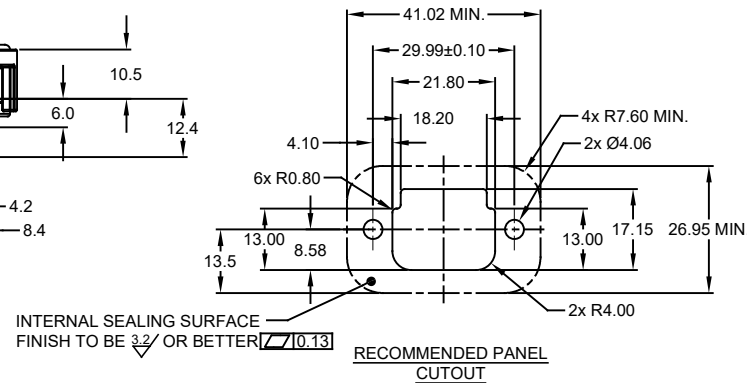
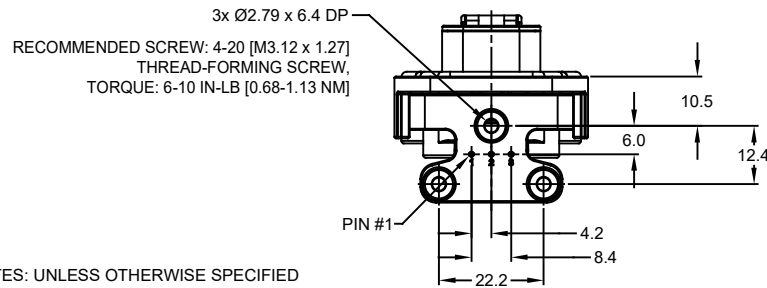
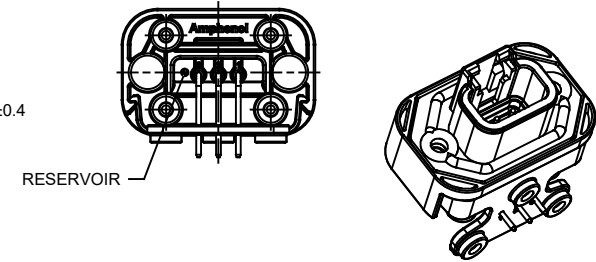
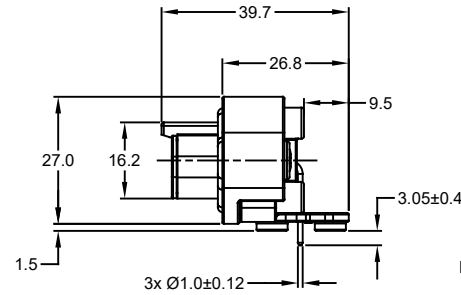
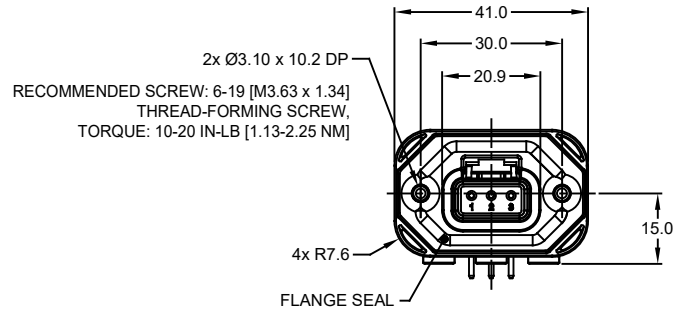


REVISIONS					
REV	ECO	DESCRIPTION	DATE	BY	APPR
A1	-	RELEASE NEW DRAWING	15JUN18	SULLEN	TOMMY
A2	-	REVISED DRAWING	10JUL20	JHEAD	DH



NOTES: UNLESS OTHERWISE SPECIFIED

- MATERIAL:
HOUSING: THERMOPLASTIC, GREY
SEAL: SILICONE RUBBER
CONTACT: COPPER ALLOY
- MODIFICATIONS: FLANGE; RA PCB MOUNT
- SPECIFICATIONS:
3.1 CURRENT RATING: 7.5 AMPS
3.2 OPERATING TEMPERATURE: -55°C TO +125°C
3.3 DIELECTRIC WITHSTANDING VOLTAGE: LESS THAN 2 MILLIAMPS CURRENT LEAKAGE @ 1500 VOLTS AC.
3.4 INSULATION RESISTANCE: 1000 MEGOHMS MIN @ 25°C
3.5 MOISTURE RESISTANCE: IP67 (MATED CONDITION)
3.6 MATING CYCLE DURABILITY: 100 CYCLES
3.7 RoHS COMPLIANT
- MATING PART: ATM06-3S* (* = ALL MODIFICATIONS)
- ALL DIMENSIONS ARE FOR REFERENCE USE ONLY
- POTTED CONNECTORS SPECIFIED FOR UP TO 5 P.S.I. APPLICATIONS.

ATM13-3P-BMXX VARIANTS		
CONTACT PLATING	POTTING OR NOT IN RESERVOIR	PART NUMBER
GOLD	NO POTTING	ATM13-3P-BM01
GOLD	POTTING	ATM13-3P-BM02
TIN	NO POTTING	ATM13-3P-BM03
TIN	POTTING	ATM13-3P-BM04

ATM13-3P-BMXX		PART NUMBER		DESCRIPTION		ITEM																																																										
<table border="1"> <thead> <tr> <th>QUANTITY</th> <th colspan="3">MATERIALS LIST</th> </tr> </thead> <tbody> <tr> <td>UNLESS OTHERWISE SPECIFIED</td> <td colspan="3">SIGNATURES</td> <td colspan="3">DATE</td> </tr> <tr> <td>1) All dimensions are in metric (mm).</td> <td>DRAWN:</td> <td>SULLENZHANG</td> <td>15JUN18</td> <td colspan="3" rowspan="4"> <p>Sine Systems - www.amphenol-sine.com 44724 Morley Drive Clinton Township, MI 48036</p> </td> </tr> <tr> <td>2) Tolerances are as follows:</td> <td>CHECKED:</td> <td>ORIONLI</td> <td>15JUN18</td> </tr> <tr> <td>1 PL DEC ±0.30</td> <td colspan="2">Fractions ±1/64</td> <td></td> </tr> <tr> <td>2 PL DEC ±0.15</td> <td colspan="2">Angles ±1°</td> <td></td> </tr> <tr> <td>3 PL DEC ±0.08</td> <td colspan="3">APPROVAL: TOMMY XIE 15JUN18</td> <td colspan="3">BOARDLOCK PCB MOUNT RECEPTACLE, 3 PIN, RA FLANGE, ATM SERIES</td> </tr> <tr> <td>3) Note reference = </td> <td colspan="3">CUSTOMER:</td> <td colspan="3">SIZE TYPE DWG NO. REVISION</td> </tr> <tr> <td>MATERIAL SPECIFICATIONS:</td> <td colspan="3">THIS DRAWING IS SUPPLIED FOR INFORMATION ONLY. DESIGN FEATURES, SPECIFICATIONS AND PERFORMANCE DATA SHOWN HEREON ARE THE PROPERTY OF THE AMPHENOL CORPORATION. NO RIGHTS OF REPRODUCTION ARE IMPLIED. ALL DIMENSIONS ARE SUBJECT TO NORMAL MANUFACTURING VARIATIONS.</td> <td colspan="3">B C- ATM13-3P-BMXX A2</td> </tr> <tr> <td>PROCESS SPECIFICATIONS:</td> <td colspan="3">NEXT ASSY:</td> <td colspan="3">SCALE NONE SHEET 1 OF 1</td> </tr> </tbody> </table>							QUANTITY	MATERIALS LIST			UNLESS OTHERWISE SPECIFIED	SIGNATURES			DATE			1) All dimensions are in metric (mm).	DRAWN:	SULLENZHANG	15JUN18	<p>Sine Systems - www.amphenol-sine.com 44724 Morley Drive Clinton Township, MI 48036</p>			2) Tolerances are as follows:	CHECKED:	ORIONLI	15JUN18	1 PL DEC ±0.30	Fractions ±1/64			2 PL DEC ±0.15	Angles ±1°			3 PL DEC ±0.08	APPROVAL: TOMMY XIE 15JUN18			BOARDLOCK PCB MOUNT RECEPTACLE, 3 PIN, RA FLANGE, ATM SERIES			3) Note reference =	CUSTOMER:			SIZE TYPE DWG NO. REVISION			MATERIAL SPECIFICATIONS:	THIS DRAWING IS SUPPLIED FOR INFORMATION ONLY. DESIGN FEATURES, SPECIFICATIONS AND PERFORMANCE DATA SHOWN HEREON ARE THE PROPERTY OF THE AMPHENOL CORPORATION. NO RIGHTS OF REPRODUCTION ARE IMPLIED. ALL DIMENSIONS ARE SUBJECT TO NORMAL MANUFACTURING VARIATIONS.			B C- ATM13-3P-BMXX A2			PROCESS SPECIFICATIONS:	NEXT ASSY:			SCALE NONE SHEET 1 OF 1		
QUANTITY	MATERIALS LIST																																																															
UNLESS OTHERWISE SPECIFIED	SIGNATURES			DATE																																																												
1) All dimensions are in metric (mm).	DRAWN:	SULLENZHANG	15JUN18	<p>Sine Systems - www.amphenol-sine.com 44724 Morley Drive Clinton Township, MI 48036</p>																																																												
2) Tolerances are as follows:	CHECKED:	ORIONLI	15JUN18																																																													
1 PL DEC ±0.30	Fractions ±1/64																																																															
2 PL DEC ±0.15	Angles ±1°																																																															
3 PL DEC ±0.08	APPROVAL: TOMMY XIE 15JUN18			BOARDLOCK PCB MOUNT RECEPTACLE, 3 PIN, RA FLANGE, ATM SERIES																																																												
3) Note reference =	CUSTOMER:			SIZE TYPE DWG NO. REVISION																																																												
MATERIAL SPECIFICATIONS:	THIS DRAWING IS SUPPLIED FOR INFORMATION ONLY. DESIGN FEATURES, SPECIFICATIONS AND PERFORMANCE DATA SHOWN HEREON ARE THE PROPERTY OF THE AMPHENOL CORPORATION. NO RIGHTS OF REPRODUCTION ARE IMPLIED. ALL DIMENSIONS ARE SUBJECT TO NORMAL MANUFACTURING VARIATIONS.			B C- ATM13-3P-BMXX A2																																																												
PROCESS SPECIFICATIONS:	NEXT ASSY:			SCALE NONE SHEET 1 OF 1																																																												

TITLE: POSITION RECEPTACLE, 3PIN, RA FLANGE, ATM SERIES
DWG NO.: ATM13-3P-BMXX
REV: A2
SH: 1
OF: 1

X-ON Electronics

Largest Supplier of Electrical and Electronic Components

Click to view similar products for [Automotive Connectors](#) category:

Click to view products by [Amphenol](#) manufacturer:

Other Similar products are found below :

[003-018-000](#) [60403001](#) [60993906-B](#) [M902-2131](#) [M902-2161](#) [72.330.1035.1](#) [73.353.4028.0](#) [F119300-B](#) [F166900](#) [F258300-B](#) [F358300-B](#)
[F407400](#) [F444110](#) [F487000](#) [F509500B-B](#) [827153-1](#) [8N1515-32-24P](#) [9-1326729-8](#) [925474-1](#) [928905-1](#) [964562-4](#) [968782-1](#) [GT17SA-8DS-](#)
[HU](#) [98891-1012](#) [98947-1016](#) [12004475-L](#) [12010290](#) [12010309-B](#) [12015454](#) [12020219-B](#) [12020308](#) [12041318-B](#) [12052225-L](#) [12052466](#)
[12059125](#) [12064869](#) [12004327-B](#) [12010503-B](#) [12015308](#) [12015384](#) [12015909](#) [1-21030-1](#) [12041254](#) [12041318](#) [12047946-B](#) [12047957](#)
[12047957-L](#) [12059473](#) [12066261](#) [12110546](#)