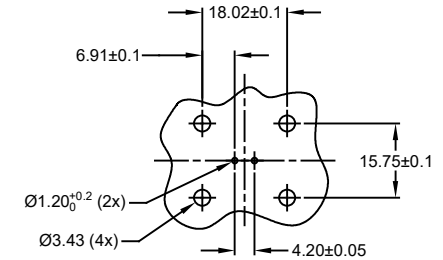
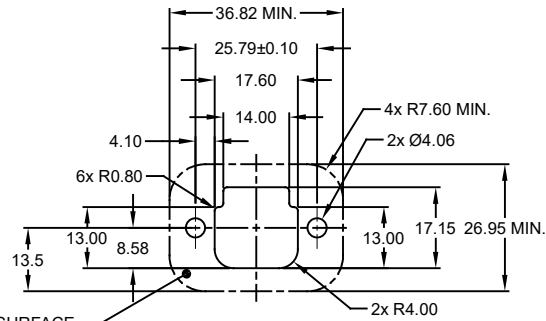
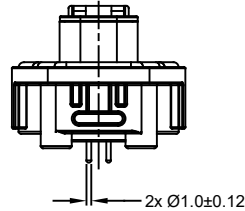
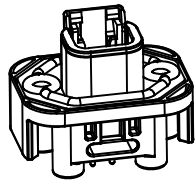
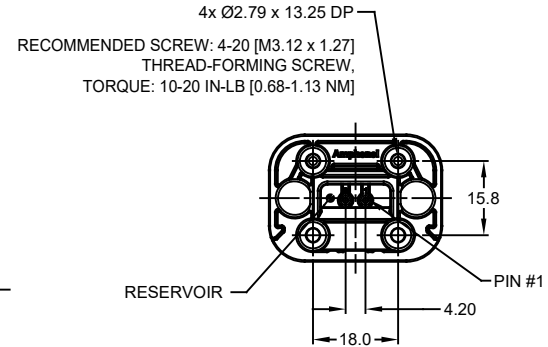
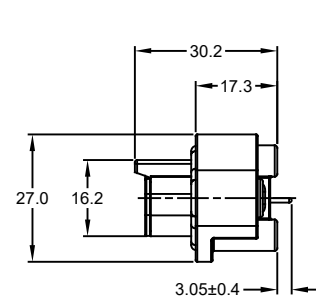
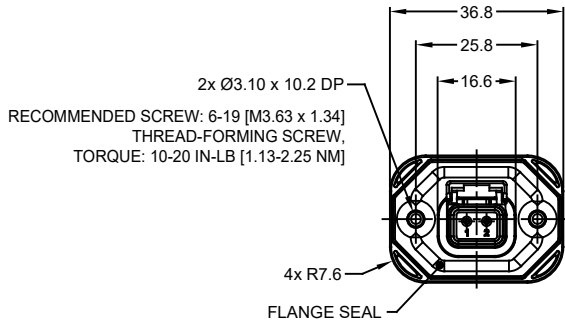


| REVISIONS | | | | | |
|-----------|-----|---------------------|---------|--------|-------|
| REV | ECO | DESCRIPTION | DATE | BY | APPR |
| A1 | - | RELEASE NEW DRAWING | 15JUN18 | SULLEN | TOMMY |
| A2 | - | REVISED DRAWING | 10JUL20 | JHEAD | DH |



RECOMMENDED PCB LAYOUT
VIEW FROM COMPONENTS
SIDE OF PCB

INTERNAL SEALING SURFACE
FINISH TO BE $\sqrt{32}$ OR BETTER [7/10.13]

RECOMMENDED PANEL
CUTOUT

NOTES: UNLESS OTHERWISE SPECIFIED

- MATERIAL:
HOUSING: THERMOPLASTIC, GREY
SEAL: SILICONE RUBBER
CONTACT: COPPER ALLOY
- MODIFICATIONS: FLANGE; STRAIGHT PCB MOUNT
- SPECIFICATIONS:
3.1 CURRENT RATING: 7.5 AMPS
3.2 OPERATING TEMPERATURE: -55°C TO +125°C
3.3 DIELECTRIC WITHSTANDING VOLTAGE: LESS THAN 2 MILLIAMPS CURRENT LEAKAGE @ 1500 VOLTS AC
3.4 INSULATION RESISTANCE: 1000 MEGOHMS MIN @ 25°C
3.5 MOISTURE RESISTANCE: IP67 (MATED CONDITION)
3.6 MATING CYCLE DURABILITY: 100 CYCLES
3.7 RoHS COMPLIANT
- MATING PART: ATM06-2S* (* = ALL MODIFICATIONS)
- ALL DIMENSIONS ARE FOR REFERENCE USE ONLY
- POTTED CONNECTORS SPECIFIED FOR UP TO 5 P.S.I. APPLICATIONS.

| ATM15-2P-BMXX VARIANTS | | |
|------------------------|-----------------------------|---------------|
| CONTACT PLATING | POTTING OR NOT IN RESERVOIR | PART NUMBER |
| GOLD | NO POTTING | ATM15-2P-BM01 |
| GOLD | POTTING | ATM15-2P-BM02 |
| TIN | NO POTTING | ATM15-2P-BM03 |
| TIN | POTTING | ATM15-2P-BM04 |

| ATM15-2P-BMXX | | | |
|--|-------------|--|------|
| QUANTITY | PART NUMBER | DESCRIPTION | ITEM |
| MATERIALS LIST | | | |
| UNLESS OTHERWISE SPECIFIED 1) All dimensions are in metric (mm). 2) Tolerances are as follows: 1 PL DEC ±0.30 Fractions ±1/64 2 PL DEC ±0.15 3 PL DEC ±0.08 | | SIGNATURES DATE DRAWN: SULLEN ZHANG 15JUN18 CHECKED: ORION LI 15JUN18 ENGINEER: APPROVAL: TOMMY XIE 15JUN18 | |
| MATERIAL SPECIFICATIONS: | | CUSTOMER: | |
| PROCESS SPECIFICATIONS: | | THIS DRAWING IS SUPPLIED FOR INFORMATION ONLY. DESIGN FEATURES, SPECIFICATIONS AND PERFORMANCE DATA SHOWN HEREON ARE THE PROPERTY OF THE AMPHENOL CORPORATION. NO RIGHTS OF REPRODUCTION ARE IMPLIED. ALL DIMENSIONS ARE SUBJECT TO NORMAL MANUFACTURING VARIATIONS. | |
| NEXT ASSY: | | SCALE: NONE | |
| SIZE: B C- | | TYPE: ATM15-2P-BMXX | |
| DWG NO: A2 | | REVISION: A2 | |
| SHEET 1 OF 1 | | SHEET 1 OF 1 | |

TITLE: PCB MOUNT RECEPTACLE, 2 PIN, STRAIGHT FLANGE, ATM SERIES
DWG NO: ATM15-2P-BMXX
REV: A2
SH: 1
OF: 1

Amphenol

Sine Systems - www.amphenol-sine.com
44724 Morley Drive
Clinton Township, MI 48036

BOARDLOCK PCB MOUNT RECEPTACLE,
2 PIN, STRAIGHT FLANGE, ATM SERIES

X-ON Electronics

Largest Supplier of Electrical and Electronic Components

Click to view similar products for [Automotive Connectors](#) category:

Click to view products by [Amphenol](#) manufacturer:

Other Similar products are found below :

[003-018-000](#) [60403001](#) [60993906-B](#) [M902-2131](#) [M902-2161](#) [72.330.1035.1](#) [73.353.4028.0](#) [F119300-B](#) [F166900](#) [F258300-B](#) [F358300-B](#)
[F407400](#) [F444110](#) [F487000](#) [F509500B-B](#) [827153-1](#) [8N1515-32-24P](#) [9-1326729-8](#) [925474-1](#) [928905-1](#) [964562-4](#) [968782-1](#) [GT17SA-8DS-](#)
[HU](#) [98891-1012](#) [98947-1016](#) [12004475-L](#) [12010290](#) [12010309-B](#) [12015454](#) [12020219-B](#) [12020308](#) [12041318-B](#) [12052225-L](#) [12052466](#)
[12059125](#) [12064869](#) [12004327-B](#) [12010503-B](#) [12015308](#) [12015384](#) [12015909](#) [1-21030-1](#) [12041254](#) [12041318](#) [12047946-B](#) [12047957](#)
[12047957-L](#) [12059473](#) [12066261](#) [12110546](#)