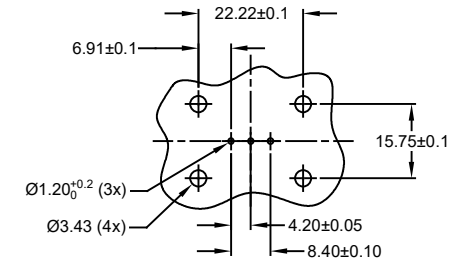
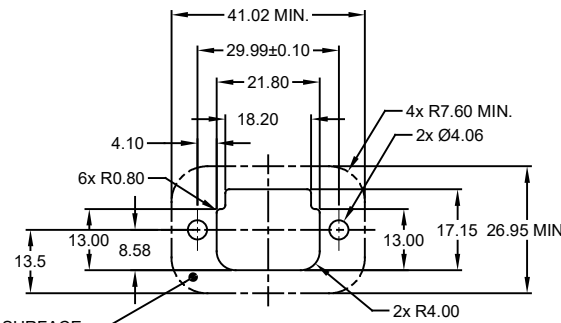
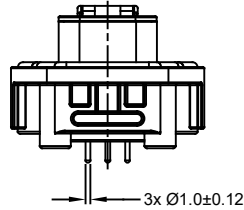
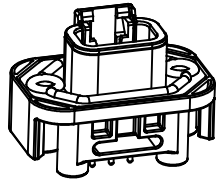
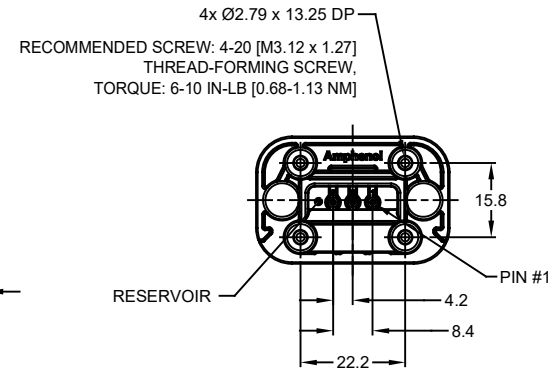
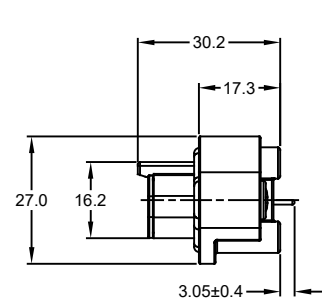
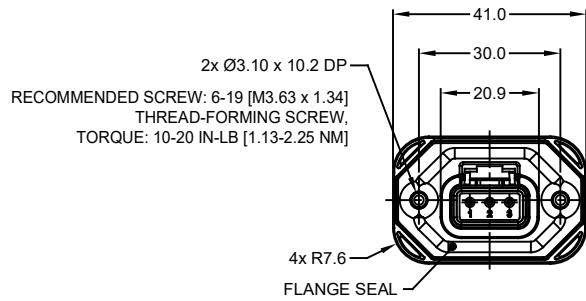


REVISIONS					
REV	ECO	DESCRIPTION	DATE	BY	APPR
A1	-	RELEASE NEW DRAWING	15JUN18	SULLEN	TOMMY
A2	-	REVISED DRAWING	10JUL20	JHEAD	DH



RECOMMENDED PCB LAYOUT  
 VIEW FROM COMPONENTS  
 SIDE OF PCB

NOTES: UNLESS OTHERWISE SPECIFIED

- MATERIAL:  
 HOUSING: THERMOPLASTIC, GREY  
 SEAL: SILICONE RUBBER  
 CONTACT: COPPER ALLOY
- MODIFICATIONS: FLANGE; STRAIGHT PCB MOUNT
- SPECIFICATIONS:  
 3.1 CURRENT RATING: 7.5 AMPS  
 3.2 OPERATING TEMPERATURE: -55°C TO +125°C  
 3.3 DIELECTRIC WITHSTANDING VOLTAGE: LESS THAN 2 MILLIAMPS CURRENT LEAKAGE @ 1500 VOLTS AC  
 3.4 INSULATION RESISTANCE: 1000 MEGOHMS MIN @ 25°C  
 3.5 MOISTURE RESISTANCE: IP67 ( MATED CONDITION )  
 3.6 MATING CYCLE DURABILITY: 100 CYCLES  
 3.7 RoHS COMPLIANT
- MATING PART: ATM06-3S\* (\* = ALL MODIFICATIONS)
- ALL DIMENSIONS ARE FOR REFERENCE USE ONLY
- POTTED CONNECTORS SPECIFIED FOR UP TO 5 P.S.I. APPLICATIONS.

INTERNAL SEALING SURFACE  
 FINISH TO BE 3.2/ OR BETTER [70.13]

RECOMMENDED PANEL  
 CUTOUT

ATM15-3P-BMXX VARIANTS		
CONTACT PLATING	POTTING OR NOT IN RESERVOIR	PART NUMBER
GOLD	NO POTTING	ATM15-3P-BM01
GOLD	POTTING	ATM15-3P-BM02
TIN	NO POTTING	ATM15-3P-BM03
TIN	POTTING	ATM15-3P-BM04

ATM15-3P-BMXX		PART NUMBER		DESCRIPTION		ITEM																																																																																		
<table border="1"> <thead> <tr> <th>QUANTITY</th> <th colspan="3">MATERIALS LIST</th> </tr> </thead> <tbody> <tr> <td colspan="4">UNLESS OTHERWISE SPECIFIED</td> </tr> <tr> <td colspan="4">1) All dimensions are in metric (mm).</td> </tr> <tr> <td colspan="4">2) Tolerances are as follows:</td> </tr> <tr> <td>1 PL DEC ±0.30</td> <td>Fractions ±1/64</td> <td colspan="2"></td> </tr> <tr> <td>2 PL DEC ±0.15</td> <td>Angles ±1°</td> <td colspan="2"></td> </tr> <tr> <td>3 PL DEC ±0.08</td> <td colspan="3"></td> </tr> <tr> <td colspan="4">3) Note reference = </td> </tr> <tr> <td colspan="2">MATERIAL SPECIFICATIONS:</td> <td colspan="2">SIGNATURES</td> <td colspan="2">DATE</td> </tr> <tr> <td colspan="2"></td> <td colspan="2">DRAWN: SULLEN ZHANG</td> <td colspan="2">15JUN18</td> </tr> <tr> <td colspan="2"></td> <td colspan="2">CHECKED: ORION LI</td> <td colspan="2">15JUN18</td> </tr> <tr> <td colspan="2"></td> <td colspan="2">ENGINEER:</td> <td colspan="2"></td> </tr> <tr> <td colspan="2"></td> <td colspan="2">APPROVAL: TOMMY XIE</td> <td colspan="2">15JUN18</td> </tr> <tr> <td colspan="2"></td> <td colspan="2">CUSTOMER:</td> <td colspan="2"></td> </tr> <tr> <td colspan="2">PROCESS SPECIFICATIONS:</td> <td colspan="5">THIS DRAWING IS SUPPLIED FOR INFORMATION ONLY. DESIGN FEATURES, SPECIFICATIONS AND PERFORMANCE DATA SHOWN HEREON ARE THE PROPERTY OF THE AMPHENOL CORPORATION. NO RIGHTS OF REPRODUCTION ARE IMPLIED. ALL DIMENSIONS ARE SUBJECT TO NORMAL MANUFACTURING VARIATIONS.</td> </tr> <tr> <td colspan="2">NEXT ASSY:</td> <td colspan="5"></td> </tr> </tbody> </table>							QUANTITY	MATERIALS LIST			UNLESS OTHERWISE SPECIFIED				1) All dimensions are in metric (mm).				2) Tolerances are as follows:				1 PL DEC ±0.30	Fractions ±1/64			2 PL DEC ±0.15	Angles ±1°			3 PL DEC ±0.08				3) Note reference =				MATERIAL SPECIFICATIONS:		SIGNATURES		DATE				DRAWN: SULLEN ZHANG		15JUN18				CHECKED: ORION LI		15JUN18				ENGINEER:						APPROVAL: TOMMY XIE		15JUN18				CUSTOMER:				PROCESS SPECIFICATIONS:		THIS DRAWING IS SUPPLIED FOR INFORMATION ONLY. DESIGN FEATURES, SPECIFICATIONS AND PERFORMANCE DATA SHOWN HEREON ARE THE PROPERTY OF THE AMPHENOL CORPORATION. NO RIGHTS OF REPRODUCTION ARE IMPLIED. ALL DIMENSIONS ARE SUBJECT TO NORMAL MANUFACTURING VARIATIONS.					NEXT ASSY:						
QUANTITY	MATERIALS LIST																																																																																							
UNLESS OTHERWISE SPECIFIED																																																																																								
1) All dimensions are in metric (mm).																																																																																								
2) Tolerances are as follows:																																																																																								
1 PL DEC ±0.30	Fractions ±1/64																																																																																							
2 PL DEC ±0.15	Angles ±1°																																																																																							
3 PL DEC ±0.08																																																																																								
3) Note reference =																																																																																								
MATERIAL SPECIFICATIONS:		SIGNATURES		DATE																																																																																				
		DRAWN: SULLEN ZHANG		15JUN18																																																																																				
		CHECKED: ORION LI		15JUN18																																																																																				
		ENGINEER:																																																																																						
		APPROVAL: TOMMY XIE		15JUN18																																																																																				
		CUSTOMER:																																																																																						
PROCESS SPECIFICATIONS:		THIS DRAWING IS SUPPLIED FOR INFORMATION ONLY. DESIGN FEATURES, SPECIFICATIONS AND PERFORMANCE DATA SHOWN HEREON ARE THE PROPERTY OF THE AMPHENOL CORPORATION. NO RIGHTS OF REPRODUCTION ARE IMPLIED. ALL DIMENSIONS ARE SUBJECT TO NORMAL MANUFACTURING VARIATIONS.																																																																																						
NEXT ASSY:																																																																																								
<table border="1"> <thead> <tr> <th>SIZE</th> <th>TYPE</th> <th>DWG NO.</th> <th>REVISION</th> </tr> </thead> <tbody> <tr> <td>B</td> <td>C-</td> <td>ATM15-3P-BMXX</td> <td>A2</td> </tr> </tbody> </table>							SIZE	TYPE	DWG NO.	REVISION	B	C-	ATM15-3P-BMXX	A2																																																																										
SIZE	TYPE	DWG NO.	REVISION																																																																																					
B	C-	ATM15-3P-BMXX	A2																																																																																					
<table border="1"> <thead> <tr> <th colspan="2">BOARDLOCK PCB MOUNT RECEPTACLE, 3 PIN, STRAIGHT FLANGE, ATM SERIES</th> </tr> </thead> <tbody> <tr> <td colspan="2">Sine Systems - www.amphenol-sine.com 44724 Morley Drive Clinton Township, MI 48036</td> </tr> </tbody> </table>							BOARDLOCK PCB MOUNT RECEPTACLE, 3 PIN, STRAIGHT FLANGE, ATM SERIES		Sine Systems - www.amphenol-sine.com 44724 Morley Drive Clinton Township, MI 48036																																																																															
BOARDLOCK PCB MOUNT RECEPTACLE, 3 PIN, STRAIGHT FLANGE, ATM SERIES																																																																																								
Sine Systems - www.amphenol-sine.com 44724 Morley Drive Clinton Township, MI 48036																																																																																								
SCALE: NONE																																																																																								
SHEET 1 OF 1																																																																																								

TITLE: PCB MOUNT RECEPTACLE, 3PIN, STRAIGHT FLANGE, ATM SERIES  
 DWG NO.: ATM15-3P-BMXX  
 REV: A2  
 SH: 1  
 OF: 1

## X-ON Electronics

Largest Supplier of Electrical and Electronic Components

*Click to view similar products for [Automotive Connectors](#) category:*

*Click to view products by [Amphenol](#) manufacturer:*

Other Similar products are found below :

[003-018-000](#) [60403001](#) [60993906-B](#) [M902-2131](#) [M902-2161](#) [72.330.1035.1](#) [73.353.4028.0](#) [F119300-B](#) [F166900](#) [F258300-B](#) [F358300-B](#)  
[F407400](#) [F444110](#) [F487000](#) [F509500B-B](#) [827153-1](#) [8N1515-32-24P](#) [9-1326729-8](#) [925474-1](#) [928905-1](#) [964562-4](#) [968782-1](#) [GT17SA-8DS-](#)  
[HU](#) [98891-1012](#) [98947-1016](#) [12004475-L](#) [12010290](#) [12010309-B](#) [12015454](#) [12020219-B](#) [12020308](#) [12041318-B](#) [12052225-L](#) [12052466](#)  
[12059125](#) [12064869](#) [12004327-B](#) [12010503-B](#) [12015308](#) [12015384](#) [12015909](#) [1-21030-1](#) [12041254](#) [12041318](#) [12047946-B](#) [12047957](#)  
[12047957-L](#) [12059473](#) [12066261](#) [12110546](#)