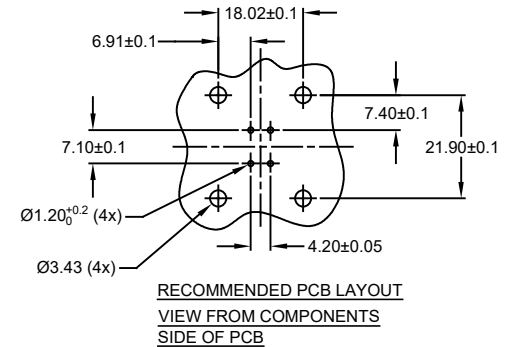
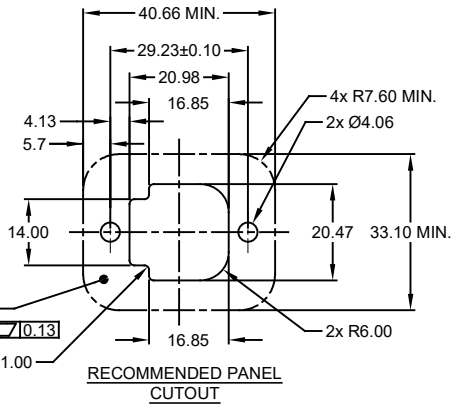
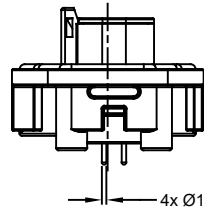
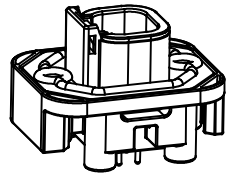
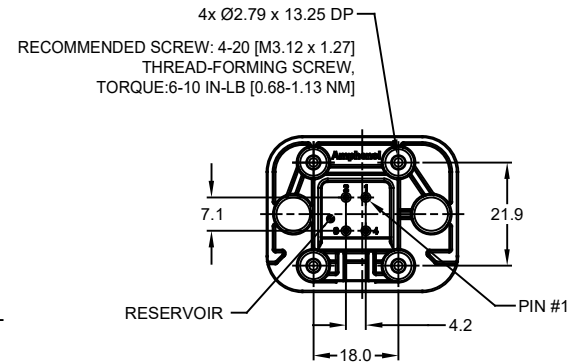
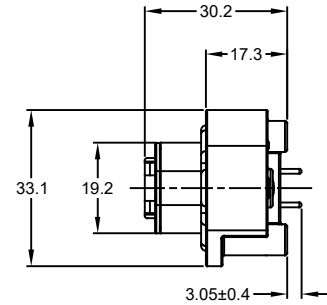
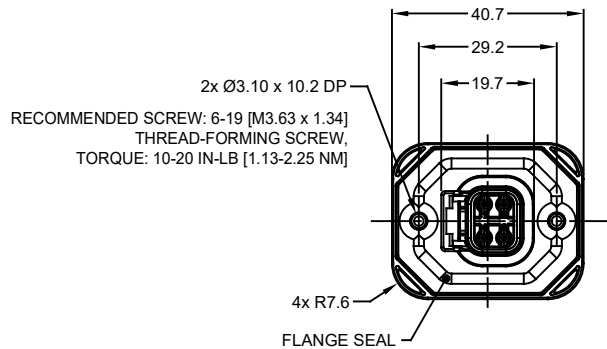


REVISIONS					
REV	ECO	DESCRIPTION	DATE	BY	APPR
A1	-	RELEASE NEW DRAWING	15JUN18	SULLEN	TOMMY
A2	-	REVISED DRAWING	10JUL20	JHEAD	DH



NOTES: UNLESS OTHERWISE SPECIFIED

- MATERIAL:  
HOUSING: THERMOPLASTIC, GREY  
SEAL: SILICONE RUBBER  
CONTACT: COPPER ALLOY
- MODIFICATIONS: FLANGE; STRAIGHT PCB MOUNT
- SPECIFICATIONS:  
3.1 CURRENT RATING: 7.5 AMPS  
3.2 OPERATING TEMPERATURE: -55°C TO +125°C  
3.3 DIELECTRIC WITHSTANDING VOLTAGE: LESS THAN 2 MILLIAMPS CURRENT LEAKAGE @ 1500 VOLTS AC  
3.4 INSULATION RESISTANCE: 1000 MEGOHMS MIN @ 25°C  
3.5 MOISTURE RESISTANCE: IP67 ( MATED CONDITION )  
3.6 MATING CYCLE DURABILITY: 100 CYCLES  
3.7 RoHS COMPLIANT
- MATING PART: ATM06-4S\* (\* = ALL MODIFICATIONS)
- ALL DIMENSIONS ARE FOR REFERENCE USE ONLY
- POTTED CONNECTORS SPECIFIED FOR UP TO 5 P.S.I. APPLICATIONS.

ATM15-4P-BMXX VARIANTS		
CONTACT PLATING	POTTING OR NOT IN RESERVOIR	PART NUMBER
GOLD	NO POTTING	ATM15-4P-BM01
GOLD	POTTING	ATM15-4P-BM02
TIN	NO POTTING	ATM15-4P-BM03
TIN	POTTING	ATM15-4P-BM04

ATM15-4P-BMXX																																			
PART NUMBER		DESCRIPTION																																	
ITEM		ITEM																																	
<table border="1"> <thead> <tr> <th>QUANTITY</th> <th colspan="3">MATERIALS LIST</th> </tr> </thead> <tbody> <tr> <td>UNLESS OTHERWISE SPECIFIED</td> <td>SIGNATURES</td> <td colspan="2">DATE</td> </tr> <tr> <td>1) All dimensions are in metric (mm).</td> <td>DRAWN: SULENZHANG</td> <td colspan="2">15JUN18</td> </tr> <tr> <td>2) Tolerances are as follows:</td> <td>CHECKED: ORIONLI</td> <td colspan="2">15JUN18</td> </tr> <tr> <td>1 PL DEC ±0.30   Fractions ±1/64</td> <td>ENGINEER:</td> <td colspan="2"></td> </tr> <tr> <td>2 PL DEC ±0.15   Angles ±1°</td> <td>APPROVAL: TOMMY XIE</td> <td colspan="2">15JUN18</td> </tr> <tr> <td>3 PL DEC ±0.08</td> <td>CUSTOMER:</td> <td colspan="2"></td> </tr> <tr> <td>3) Note reference = </td> <td colspan="3">THIS DRAWING IS SUPPLIED FOR INFORMATION ONLY. DESIGN FEATURES, SPECIFICATIONS AND PERFORMANCE DATA SHOWN HEREON ARE THE PROPERTY OF THE AMPHENOL CORPORATION. NO RIGHTS OF REPRODUCTION ARE IMPLIED. ALL DIMENSIONS ARE SUBJECT TO NORMAL MANUFACTURING VARIATIONS.</td> </tr> </tbody> </table>				QUANTITY	MATERIALS LIST			UNLESS OTHERWISE SPECIFIED	SIGNATURES	DATE		1) All dimensions are in metric (mm).	DRAWN: SULENZHANG	15JUN18		2) Tolerances are as follows:	CHECKED: ORIONLI	15JUN18		1 PL DEC ±0.30   Fractions ±1/64	ENGINEER:			2 PL DEC ±0.15   Angles ±1°	APPROVAL: TOMMY XIE	15JUN18		3 PL DEC ±0.08	CUSTOMER:			3) Note reference =	THIS DRAWING IS SUPPLIED FOR INFORMATION ONLY. DESIGN FEATURES, SPECIFICATIONS AND PERFORMANCE DATA SHOWN HEREON ARE THE PROPERTY OF THE AMPHENOL CORPORATION. NO RIGHTS OF REPRODUCTION ARE IMPLIED. ALL DIMENSIONS ARE SUBJECT TO NORMAL MANUFACTURING VARIATIONS.		
QUANTITY	MATERIALS LIST																																		
UNLESS OTHERWISE SPECIFIED	SIGNATURES	DATE																																	
1) All dimensions are in metric (mm).	DRAWN: SULENZHANG	15JUN18																																	
2) Tolerances are as follows:	CHECKED: ORIONLI	15JUN18																																	
1 PL DEC ±0.30   Fractions ±1/64	ENGINEER:																																		
2 PL DEC ±0.15   Angles ±1°	APPROVAL: TOMMY XIE	15JUN18																																	
3 PL DEC ±0.08	CUSTOMER:																																		
3) Note reference =	THIS DRAWING IS SUPPLIED FOR INFORMATION ONLY. DESIGN FEATURES, SPECIFICATIONS AND PERFORMANCE DATA SHOWN HEREON ARE THE PROPERTY OF THE AMPHENOL CORPORATION. NO RIGHTS OF REPRODUCTION ARE IMPLIED. ALL DIMENSIONS ARE SUBJECT TO NORMAL MANUFACTURING VARIATIONS.																																		
<p>Sine Systems - www.amphenol-sine.com 44724 Morley Drive Clinton Township, MI 48036</p>																																			
BOARDLOCK PCB MOUT RECEPTACLE, 4 PIN, STRAIGHT FLANGE, ATM SERIES																																			
SIZE	TYPE	DWG NO.	REVISION																																
B	C-	ATM15-4P-BMXX	A2																																
SCALE	NONE		SHEET 1 OF 1																																

TITLE: PCB MOUNT RECEPTACLE 4PIN STRAIGHT FLANGE ATM SERIES  
DWG NO.: ATM15-4P-BMXX  
REV: A2  
SH: 1  
OF: 1

## X-ON Electronics

Largest Supplier of Electrical and Electronic Components

*Click to view similar products for [Automotive Connectors](#) category:*

*Click to view products by [Amphenol](#) manufacturer:*

Other Similar products are found below :

[003-018-000](#) [60403001](#) [60993906-B](#) [M902-2131](#) [M902-2161](#) [72.330.1035.1](#) [73.353.4028.0](#) [F119300-B](#) [F166900](#) [F258300-B](#) [F358300-B](#)  
[F407400](#) [F444110](#) [F487000](#) [F509500B-B](#) [827153-1](#) [8N1515-32-24P](#) [9-1326729-8](#) [925474-1](#) [928905-1](#) [964562-4](#) [968782-1](#) [GT17SA-8DS-](#)  
[HU](#) [98891-1012](#) [98947-1016](#) [12004475-L](#) [12010290](#) [12010309-B](#) [12015454](#) [12020219-B](#) [12020308](#) [12041318-B](#) [12052225-L](#) [12052466](#)  
[12059125](#) [12064869](#) [12004327-B](#) [12010503-B](#) [12015308](#) [12015384](#) [12015909](#) [1-21030-1](#) [12041254](#) [12041318](#) [12047946-B](#) [12047957](#)  
[12047957-L](#) [12059473](#) [12066261](#) [12110546](#)