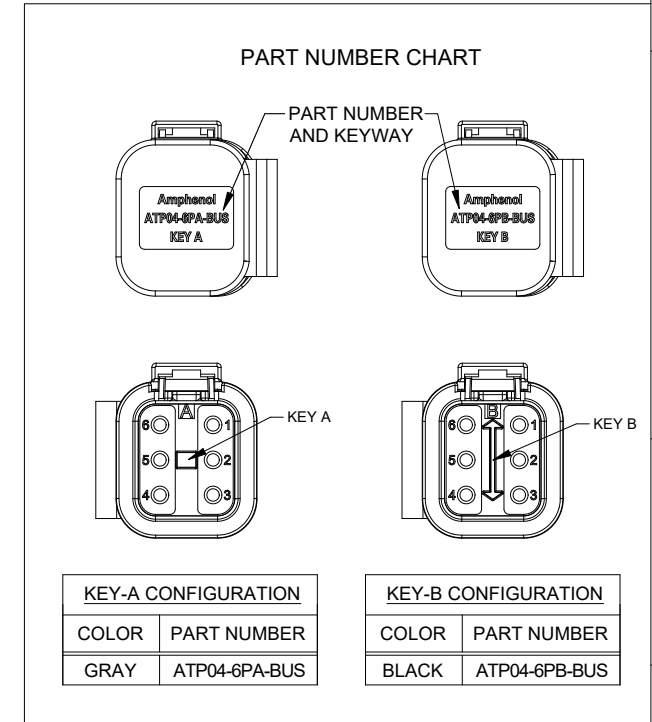
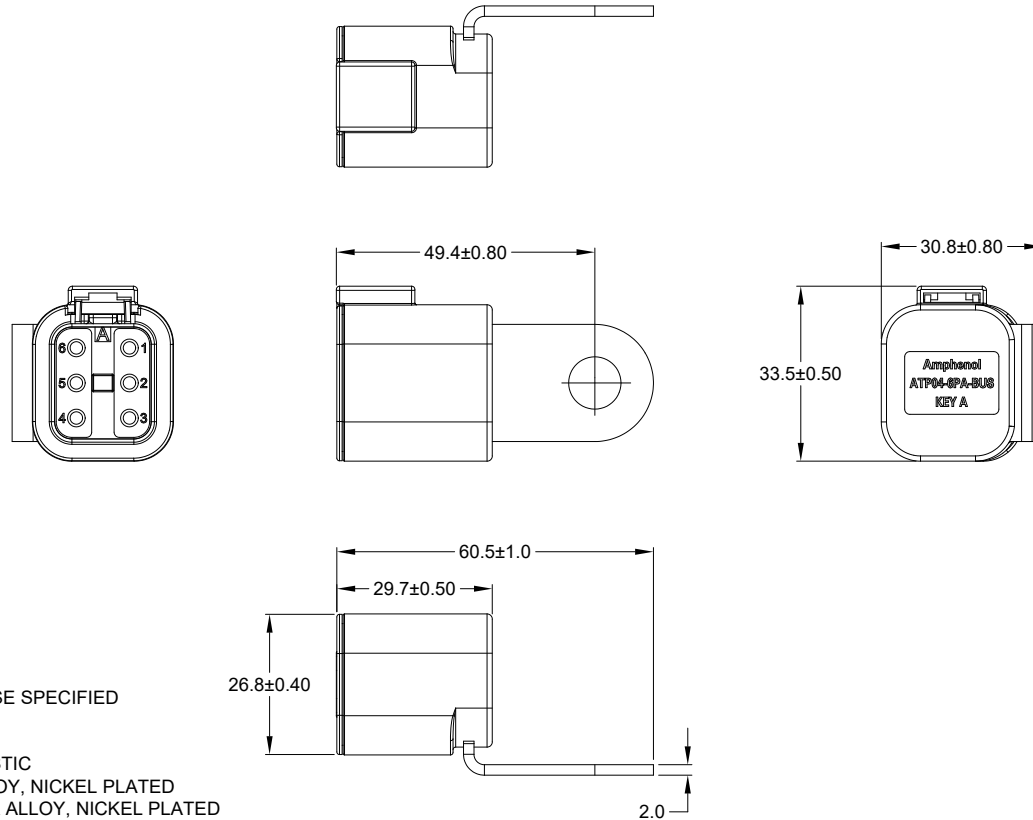
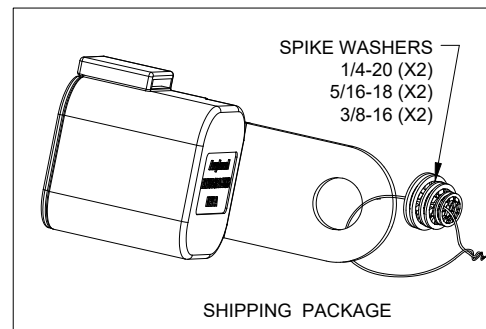


| REVISIONS |     |                         |           |       |       |
|-----------|-----|-------------------------|-----------|-------|-------|
| REV       | ECO | DESCRIPTION             | DATE      | BY    | APPR  |
| A1        | -   | RELEASE NEW DRAWING     | 02/JAN/20 | PETER | TOMMY |
| A2        | -   | CHANGE WATERPROOF GRADE | 27/JUL/20 | SEVEN | TOMMY |



NOTES: UNLESS OTHERWISE SPECIFIED

1. MATERIAL:
  - HOUSING: THERMOPLASTIC
  - CONTACT: COPPER ALLOY, NICKEL PLATED
  - METAL INSERT: COPPER ALLOY, NICKEL PLATED
  - SEAL: SILICONE RUBBER
  - SPIKE WASHERS: STAINLESS STEEL
2. MODIFICATIONS: GROUNDING BUSS
3. SPECIFICATIONS:
  - 3.1 CURRENT RATING: 150 AMPS
  - 3.2 OPERATING TEMPERATURE: -55°C TO +125°C
  - 3.3 INSULATION RESISTANCE: 1000 MEGOHMS MIN @ 25°C
  - 3.4 MOISTURE RESISTANCE: IP68 ( 1M OF WATER FOR A PERIOD OF 24 HOURS , MATED CONDITION )
  - 3.5 MATING CYCLE DURABILITY: 100 CYCLES
  - 3.6 RoHS COMPLIANT
4. MATING PART: ATP06-6SX\* PLUG  
( X = A,B KEYS ; \* = MODIFICATIONS AND COLORS)
5. ALL DIMENSIONS ARE FOR REFERENCE USE ONLY



| SEE PART NUMBER CHART                |             | DESCRIPTION  |  | ITEM         |
|--------------------------------------|-------------|--|--|--------------|
| QUANTITY                             | PART NUMBER |  |  |              |
| <b>MATERIALS LIST</b>                |             |  |  |              |
| UNLESS OTHERWISE SPECIFIED           |             |  |  |              |
| 1) All dimensions are in metric(mm). |             |  |  |              |
| 2) Tolerances are as follows:        |             |  |  |              |
| 1 PL DEC ±0.30                       |             |  |  |              |
| 2 PL DEC ±0.15                       |             |  |  |              |
| 3 PL DEC ±0.08                       |             |  |  |              |
| 3) Note reference =                  |             |  |  |              |
| SIGNATURES                           |             | DATE   |  |              |
| DRAWN: SEVENJMO                      |             | 27/JUL/20  |  |              |
| CHECKED: ORIONLI                     |             | 28/JUL/20  |  |              |
| ENGINEER:                            |             |  |  |              |
| APPROVAL: TOMMY.XIE                  |             | 28/JUL/20  |  |              |
| CUSTOMER:                            |             |  |  |              |
| MATERIAL SPECIFICATIONS:             |             | THIS DRAWING IS SUPPLIED FOR INFORMATION ONLY. DESIGN FEATURES, SPECIFICATIONS AND PERFORMANCE DATA SHOWN HEREON ARE THE PROPERTY OF THE AMPHENOL CORPORATION. NO RIGHTS OF REPRODUCTION ARE IMPLIED. ALL DIMENSIONS ARE SUBJECT TO NORMAL MANUFACTURING VARIATIONS. |  |              |
| PROCESS SPECIFICATIONS:              |             |  |  |              |
| NEXT ASSY:                           |             |  |  |              |
| SCALE: NONE                          |             | SIZE: B C-   |  | REVISION: A2 |
|                                      |             | DWG NO: ATP04-6PX-BUS  |  | SHEET 1 OF 1 |

TITLE: RECEPTACLE, 6 PIN, BUSS, ATP SERIES  
DWG NO: ATP04-6PX-BUS  
REV: A2  
SH: 1  
OF: 1

**Amphenol**

Sine Systems - www.amphenol-sine.com  
44724 Morley Drive  
Clinton Township, MI 48036

RECEPTACLE, 6 PIN, BUSS,  
ATP SERIES

## X-ON Electronics

Largest Supplier of Electrical and Electronic Components

*Click to view similar products for [Automotive Connectors](#) category:*

*Click to view products by [Amphenol](#) manufacturer:*

Other Similar products are found below :

[003-018-000](#) [60403001](#) [60993906-B](#) [M902-2131](#) [M902-2161](#) [72.330.1035.1](#) [73.353.4028.0](#) [F119300-B](#) [F166900](#) [F258300-B](#) [F358300-B](#)  
[F407400](#) [F444110](#) [F487000](#) [F509500B-B](#) [827153-1](#) [8N1515-32-24P](#) [9-1326729-8](#) [925474-1](#) [928905-1](#) [964562-4](#) [968782-1](#) [GT17SA-8DS-](#)  
[HU](#) [98891-1012](#) [98947-1016](#) [12004475-L](#) [12010290](#) [12010309-B](#) [12015454](#) [12020219-B](#) [12020308](#) [12041318-B](#) [12052225-L](#) [12052466](#)  
[12059125](#) [12064869](#) [12004327-B](#) [12010503-B](#) [12015308](#) [12015384](#) [12015909](#) [1-21030-1](#) [12041254](#) [12041318](#) [12047946-B](#) [12047957](#)  
[12047957-L](#) [12059473](#) [12066261](#) [12110546](#)