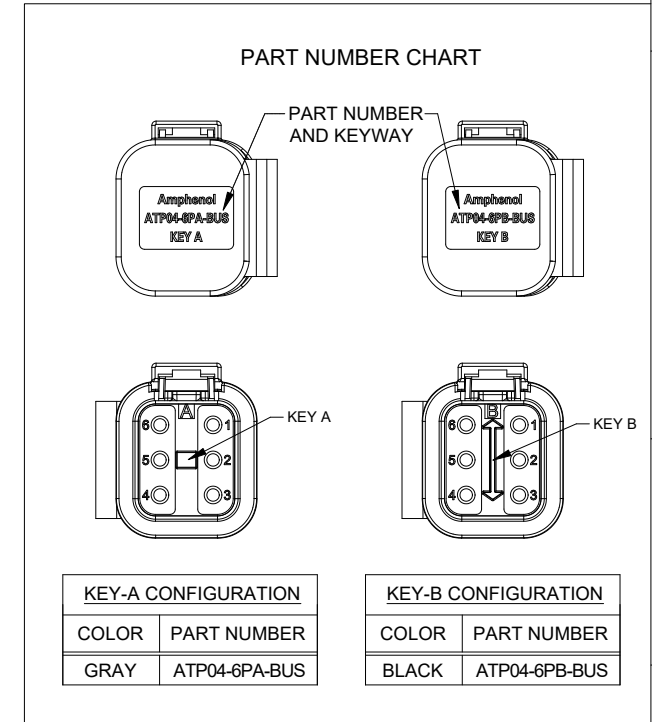
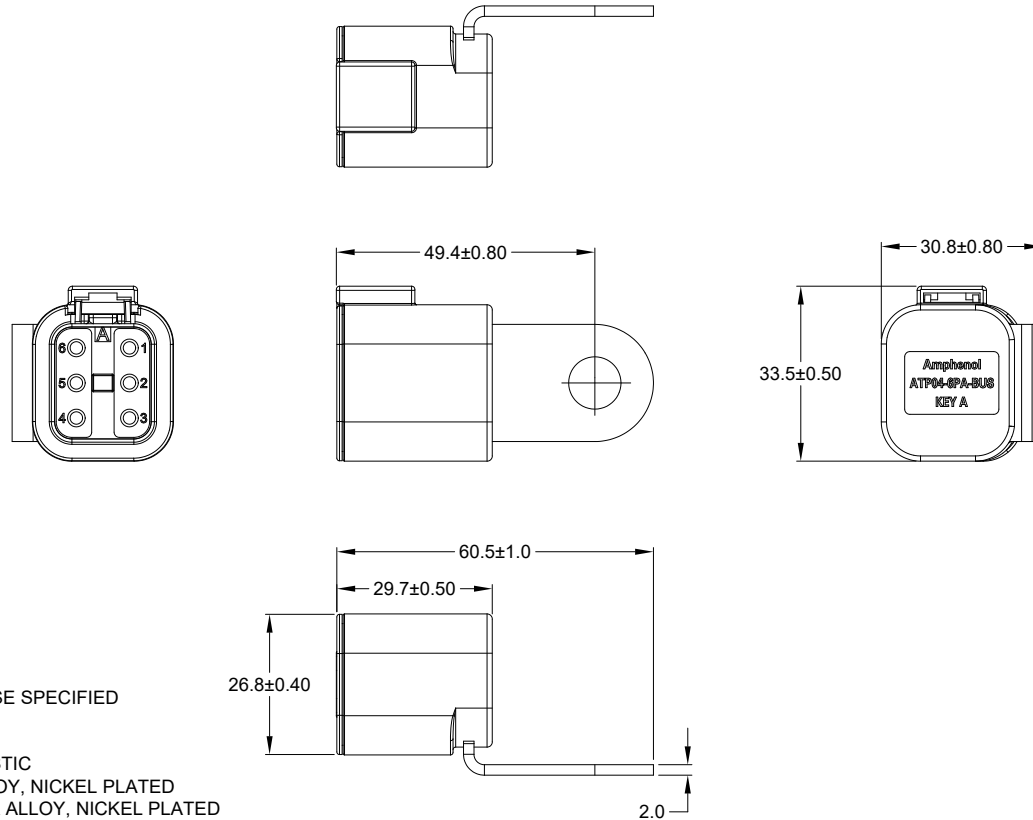
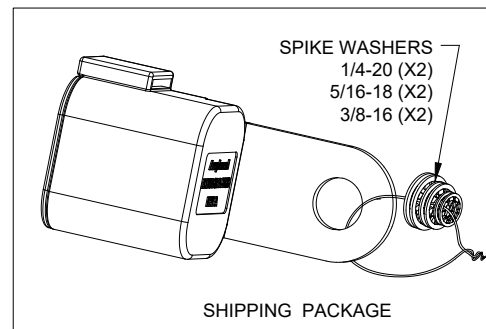


REVISIONS					
REV	ECO	DESCRIPTION	DATE	BY	APPR
A1	-	RELEASE NEW DRAWING	02/JAN/20	PETER	TOMMY
A2	-	CHANGE WATERPROOF GRADE	27/JUL/20	SEVEN	TOMMY



NOTES: UNLESS OTHERWISE SPECIFIED

1. MATERIAL:
 - HOUSING: THERMOPLASTIC
 - CONTACT: COPPER ALLOY, NICKEL PLATED
 - METAL INSERT: COPPER ALLOY, NICKEL PLATED
 - SEAL: SILICONE RUBBER
 - SPIKE WASHERS: STAINLESS STEEL
2. MODIFICATIONS: GROUNDING BUSS
3. SPECIFICATIONS:
 - 3.1 CURRENT RATING: 150 AMPS
 - 3.2 OPERATING TEMPERATURE: -55°C TO +125°C
 - 3.3 INSULATION RESISTANCE: 1000 MEGOHMS MIN @ 25°C
 - 3.4 MOISTURE RESISTANCE: IP68 (1M OF WATER FOR A PERIOD OF 24 HOURS , MATED CONDITION)
 - 3.5 MATING CYCLE DURABILITY: 100 CYCLES
 - 3.6 RoHS COMPLIANT
4. MATING PART: ATP06-6SX* PLUG
(X = A,B KEYS ; * = MODIFICATIONS AND COLORS)
5. ALL DIMENSIONS ARE FOR REFERENCE USE ONLY



SEE PART NUMBER CHART		DESCRIPTION		ITEM	
QUANTITY	PART NUMBER				
MATERIALS LIST					
UNLESS OTHERWISE SPECIFIED 1) All dimensions are in metric(mm). 2) Tolerances are as follows: 1 PL DEC ±0.30 2 PL DEC ±0.15 3 PL DEC ±0.08 Fractions ±1/64 Angles ±1°		SIGNATURES DRAWN: SEVENJMO 27/JUL/20 CHECKED: ORIONLI 28/JUL/20 ENGINEER: APPROVAL: TOMMY.XIE 28/JUL/20 CUSTOMER:			<div style="font-size: 2em; font-weight: bold; margin-bottom: 10px;">Amphenol</div> Sine Systems - www.amphenol-sine.com 44724 Morley Drive Clinton Township, MI 48036
MATERIAL SPECIFICATIONS:		THIS DRAWING IS SUPPLIED FOR INFORMATION ONLY. DESIGN FEATURES, SPECIFICATIONS AND PERFORMANCE DATA SHOWN HEREON ARE THE PROPERTY OF THE AMPHENOL CORPORATION. NO RIGHTS OF REPRODUCTION ARE IMPLIED. ALL DIMENSIONS ARE SUBJECT TO NORMAL MANUFACTURING VARIATIONS.			
PROCESS SPECIFICATIONS:		SIZE: B C- SCALE: NONE	DWG NO: ATP04-6PX-BUS REVISION: A2		
NEXT ASSY:		SHEET 1 OF 1			

TITLE: RECEPTACLE, 6 PIN, BUSS, ATP SERIES
 DWG NO.: ATP04-6PX-BUS
 REV: A2
 SH: 1 OF 1

X-ON Electronics

Largest Supplier of Electrical and Electronic Components

Click to view similar products for [Automotive Connectors](#) category:

Click to view products by [Amphenol](#) manufacturer:

Other Similar products are found below :

[003-018-000](#) [60403001](#) [60993906-B](#) [M902-2131](#) [M902-2161](#) [72.330.1035.1](#) [73.353.4028.0](#) [F119300-B](#) [F166900](#) [F258300-B](#) [F358300-B](#)
[F407400](#) [F444110](#) [F487000](#) [F509500B-B](#) [827153-1](#) [8N1515-32-24P](#) [9-1326729-8](#) [925474-1](#) [928905-1](#) [964562-4](#) [968782-1](#) [GT17SA-8DS-](#)
[HU](#) [98891-1012](#) [98947-1016](#) [12004475-L](#) [12010290](#) [12010309-B](#) [12015454](#) [12020219-B](#) [12020308](#) [12041318-B](#) [12052225-L](#) [12052466](#)
[12059125](#) [12064869](#) [12004327-B](#) [12010503-B](#) [12015308](#) [12015384](#) [12015909](#) [1-21030-1](#) [12041254](#) [12041318](#) [12047946-B](#) [12047957](#)
[12047957-L](#) [12059473](#) [12066261](#) [12110546](#)