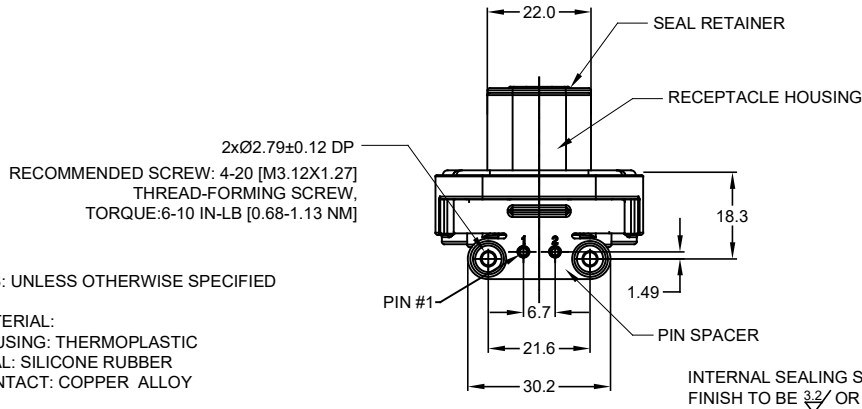
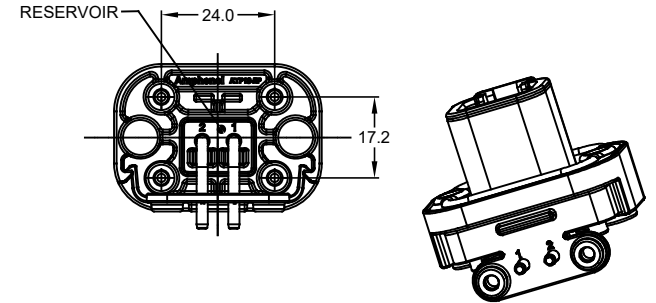
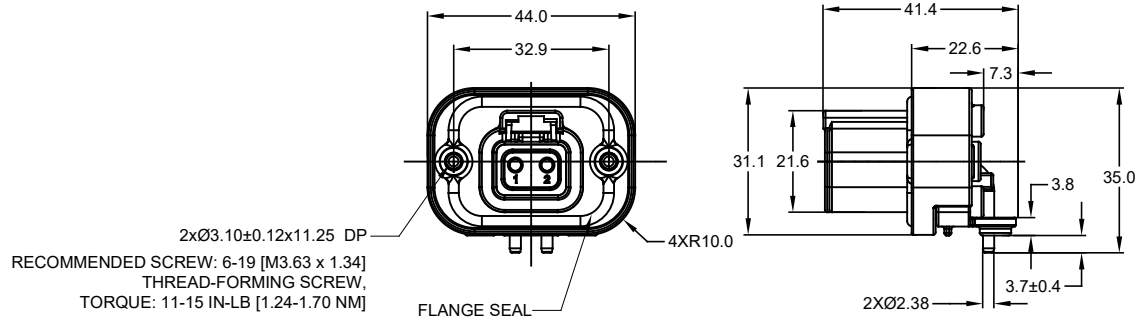


REVISIONS					
REV	ECO	DESCRIPTION	DATE	BY	APPR
A2	-	ADDED NOTE 6	10JUL20	JAH	DH



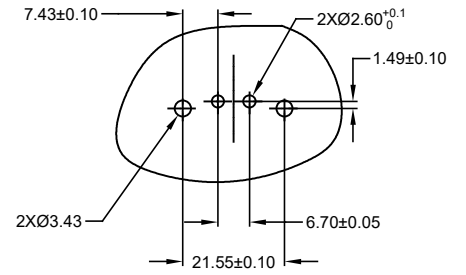
NOTES: UNLESS OTHERWISE SPECIFIED

- MATERIAL:  
HOUSING: THERMOPLASTIC  
SEAL: SILICONE RUBBER  
CONTACT: COPPER ALLOY
- MODIFICATIONS: FLANGE; PCB MOUNT RIGHT ANGLE
- SPECIFICATIONS:  
3.1 CURRENT RATING: 25 AMPS  
3.2 OPERATING TEMPERATURE: -55°C TO +125°C  
3.3 DIELECTRIC WITHSTANDING VOLTAGE: LESS THAN 2 MILLIAMPS CURRENT LEAKAGE @ 1500 VOLTS AC.  
3.4 INSULATION RESISTANCE: 1000 MEGOHMS MIN @ 25°C  
3.5 MOISTURE RESISTANCE: IP67 ( MATED CONDITION )  
3.6 MATING CYCLE DURABILITY: 100 CYCLES  
3.7 RoHS COMPLIANT
- MATING PART: ATP06-2S\*  
(\* = ALL MODIFICATIONS)
- ALL DIMENSIONS ARE FOR REFERENCE USE ONLY
- POTTED CONNECTORS SPECIFIED FOR UP TO 5 P.S.I. APPLICATIONS.

ATP13-2P-BM0XXXX VARIANTS

CONTACT PLATING	POTTING OR NOT IN RESERVOIR	COLOR	PART NUMBER
GOLD	NO POTTING	GRAY	ATP13-2P-BM01GRY
GOLD	POTTING	GRAY	ATP13-2P-BM02GRY
TIN	NO POTTING	GRAY	ATP13-2P-BM03GRY
TIN	POTTING	GRAY	ATP13-2P-BM04GRY
GOLD	NO POTTING	BLACK	ATP13-2P-BM01BLK
GOLD	POTTING	BLACK	ATP13-2P-BM02BLK
TIN	NO POTTING	BLACK	ATP13-2P-BM03BLK
TIN	POTTING	BLACK	ATP13-2P-BM04BLK

RECOMMENDED PANEL CUTOUT



RECOMMENDED PCB LAYOUT  
VIEW FROM COMPONENTS  
SIDE OF PCB

ATP13-2P-BM0XXXX		PART NUMBER		DESCRIPTION		ITEM
<p><b>QUANTITY</b> _____ <b>MATERIALS LIST</b></p>						
<p>UNLESS OTHERWISE SPECIFIED 1) All dimensions are in metric (mm). 2) Tolerances are as follows: 1 PL DEC ±0.30   Fractions ±1/64 2 PL DEC ±0.15 3 PL DEC ±0.08 3) Note reference = </p>			<p>SIGNATURES DATE DRAWN: PETER YANG 14MAY19 CHECKED: ORION LI 14MAY19 ENGINEER: TOMMY XIE 14MAY19 APPROVAL: TOMMY XIE 14MAY19</p>		<p><b>Amphenol</b> Sine Systems - www.amphenol-sine.com 44724 Morley Drive Clinton Township, MI 48036</p>	
<p>MATERIAL SPECIFICATIONS:</p>			<p>CUSTOMER:</p>			
<p>PROCESS SPECIFICATIONS:</p>			<p>THIS DRAWING IS SUPPLIED FOR INFORMATION ONLY. DESIGN FEATURES, SPECIFICATIONS AND PERFORMANCE DATA SHOWN HEREON ARE THE PROPERTY OF THE AMPHENOL CORPORATION. NO RIGHTS OF REPRODUCTION ARE IMPLIED. ALL DIMENSIONS ARE SUBJECT TO NORMAL MANUFACTURING VARIATIONS.</p>		<p>BOARDLOCK PCB MOUNT RECEPTACLE, 2 PIN, RA FLANGE, ATP SERIES</p>	
<p>NEXT ASSY:</p>			<p>SIZE: B C-</p>	<p>TYPE: ATP13-2P-BM0XXXX</p>	<p>DWG NO: A2</p>	<p>REVISION: A2</p>
<p>SCALE: NONE</p>			<p>SHEET 1 OF 1</p>		<p>REVISION: A2</p>	

TITLE: BOARDLOCK PCB MOUNT RECEPTACLE 2PIN RA FLANGE ATP SERIES  
DWG NO: ATP13-2P-BM0XXXX  
REV: A2  
SH: 1  
OF: 1

## X-ON Electronics

Largest Supplier of Electrical and Electronic Components

*Click to view similar products for [Automotive Connectors](#) category:*

*Click to view products by [Amphenol](#) manufacturer:*

Other Similar products are found below :

[003-018-000](#) [60403001](#) [60993906-B](#) [M902-2131](#) [M902-2161](#) [72.330.1035.1](#) [73.353.4028.0](#) [F119300-B](#) [F166900](#) [F258300-B](#) [F358300-B](#)  
[F407400](#) [F444110](#) [F487000](#) [F509500B-B](#) [827153-1](#) [8N1515-32-24P](#) [9-1326729-8](#) [925474-1](#) [928905-1](#) [964562-4](#) [968782-1](#) [GT17SA-8DS-](#)  
[HU](#) [98891-1012](#) [98947-1016](#) [12004475-L](#) [12010290](#) [12010309-B](#) [12015454](#) [12020219-B](#) [12020308](#) [12041318-B](#) [12052225-L](#) [12052466](#)  
[12059125](#) [12064869](#) [12004327-B](#) [12010503-B](#) [12015308](#) [12015384](#) [12015909](#) [1-21030-1](#) [12041254](#) [12041318](#) [12047946-B](#) [12047957](#)  
[12047957-L](#) [12059473](#) [12066261](#) [12110546](#)