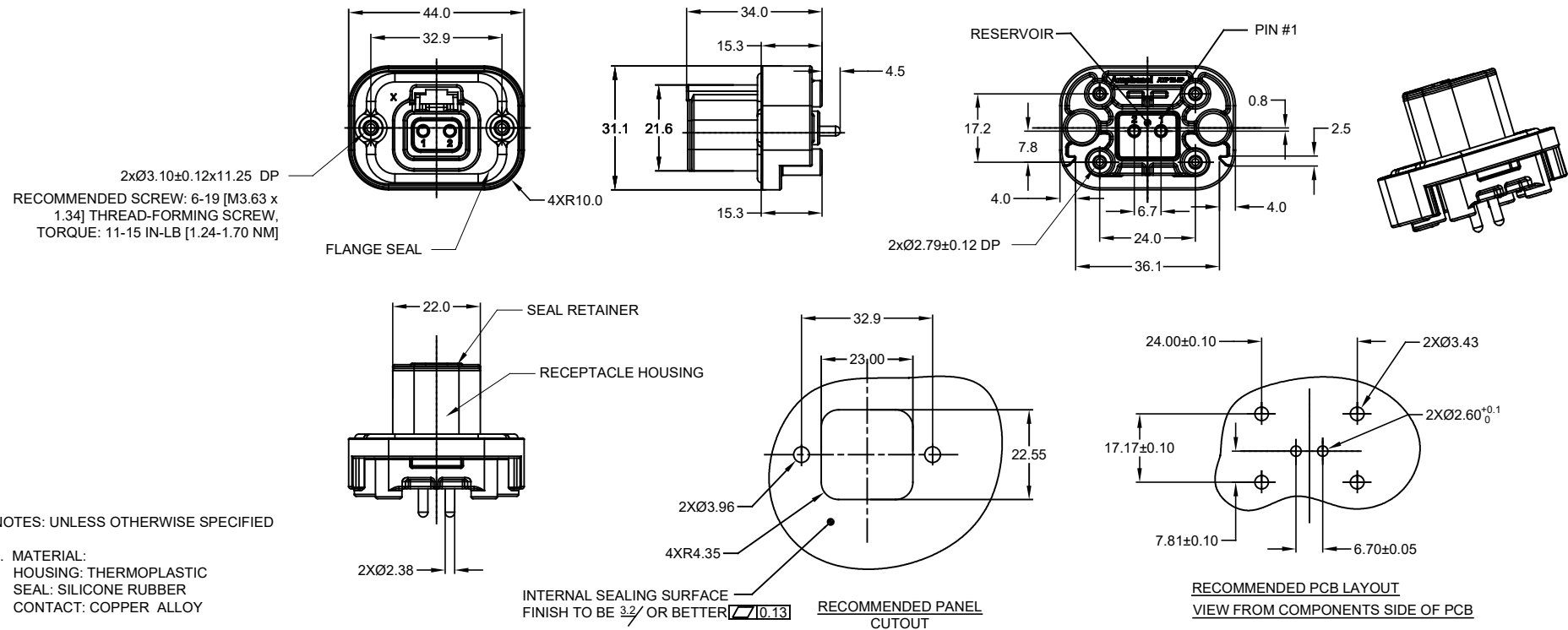


| REVISIONS | | | | | |
|-----------|-----|-----------------|---------|-------|-------|
| REV | ECO | DESCRIPTION | DATE | BY | APPR |
| A1 | - | RELEASE | 6JUN19 | JAH | TOMMY |
| A2 | - | REVISED DRAWING | 10JUL20 | JHEAD | DH |



NOTES: UNLESS OTHERWISE SPECIFIED

- MATERIAL:
HOUSING: THERMOPLASTIC
SEAL: SILICONE RUBBER
CONTACT: COPPER ALLOY
- MODIFICATIONS: FLANGE; PCB MOUNT STRAIGHT
- SPECIFICATIONS:
 - CURRENT RATING: 25 AMPS
 - OPERATING TEMPERATURE: -55°C TO +125°C
 - DIELECTRIC WITHSTANDING VOLTAGE: LESS THAN 2 MILLIAMPS CURRENT LEAKAGE @ 1500 VOLTS AC.
 - INSULATION RESISTANCE: 1000 MEGOHMS MIN @ 25°C
 - MOISTURE RESISTANCE: IP67 (MATED CONDITION)
 - MATING CYCLE DURABILITY: 100 CYCLES
 - RoHS COMPLIANT
- MATING PART: ATP06-2S* (* = ALL MODIFICATIONS)
- ALL DIMENSIONS ARE FOR REFERENCE USE ONLY
- POTTED CONNECTORS SPECIFIED FOR UP TO 5 P.S.I. APPLICATIONS.

| ATP15-2P-BM0XXXX VARIANTS | | | |
|---------------------------|-----------------------------|-------|------------------|
| CONTACT PLATING | POTTING OR NOT IN RESERVOIR | COLOR | PART NUMBER |
| GOLD | NO POTTING | GRAY | ATP15-2P-BM01GRY |
| GOLD | POTTING | GRAY | ATP15-2P-BM02GRY |
| TIN | NO POTTING | GRAY | ATP15-2P-BM03GRY |
| TIN | POTTING | GRAY | ATP15-2P-BM04GRY |
| GOLD | NO POTTING | BLACK | ATP15-2P-BM01BLK |
| GOLD | POTTING | BLACK | ATP15-2P-BM02BLK |
| TIN | NO POTTING | BLACK | ATP15-2P-BM03BLK |
| TIN | POTTING | BLACK | ATP15-2P-BM04BLK |

| ATP15-2P-BM0XXXX | | PART NUMBER | | DESCRIPTION | | ITEM |
|---------------------------------------|--|--|--|------------------|--|---|
| QUANTITY | | | | | | |
| MATERIALS LIST | | | | | | |
| UNLESS OTHERWISE SPECIFIED | | SIGNATURES | | DATE | | <p>Sine Systems - www.amphenol-sine.com 44724 Morley Drive Clinton Township, MI 48036</p> |
| 1) All dimensions are in metric (mm). | | DRAWN: PETER YANG | | 14MAY19 | | |
| 2) Tolerances are as follows: | | CHECKED: ORION LI | | 14MAY19 | | |
| 1 PL DEC ±0.30 Fractions ±1/64 | | ENGINEER: | | | | |
| 3 PL DEC ±0.08 Angles ±1° | | APPROVAL: TOMMY XIE | | 14MAY19 | | |
| MATERIAL SPECIFICATIONS: | | CUSTOMER: | | | | BOARDLOCK PCB MOUNT RECEPTACLE, 2 PIN, ST FLANGE, ATP SERIES |
| PROCESS SPECIFICATIONS: | | THIS DRAWING IS SUPPLIED FOR INFORMATION ONLY. DESIGN FEATURES, SPECIFICATIONS AND PERFORMANCE DATA SHOWN HEREON ARE THE PROPERTY OF THE AMPHENOL CORPORATION. NO RIGHTS OF REPRODUCTION ARE IMPLIED. ALL DIMENSIONS ARE SUBJECT TO NORMAL MANUFACTURING VARIATIONS. | | | | |
| NEXT ASSY: | | SIZE | | TYPE | | REVISION |
| | | B C- | | ATP15-2P-BM0XXXX | | A2 |
| | | SCALE | | NONE | | SHEET 1 OF 1 |

TITLE: BOARDLOCK PCB MOUNT RECEPTACLE 2PIN, ST FLANGE, ATP SERIES
DWG NO.: ATP15-2P-BM0XXXX
REV: A2
SH: 1
OF: 1

X-ON Electronics

Largest Supplier of Electrical and Electronic Components

Click to view similar products for [Automotive Connectors](#) category:

Click to view products by [Amphenol](#) manufacturer:

Other Similar products are found below :

[003-018-000](#) [60403001](#) [60993906-B](#) [M902-2131](#) [M902-2161](#) [72.330.1035.1](#) [73.353.4028.0](#) [F119300-B](#) [F166900](#) [F258300-B](#) [F358300-B](#)
[F407400](#) [F444110](#) [F487000](#) [F509500B-B](#) [827153-1](#) [8N1515-32-24P](#) [9-1326729-8](#) [925474-1](#) [928905-1](#) [964562-4](#) [968782-1](#) [GT17SA-8DS-](#)
[HU](#) [98891-1012](#) [98947-1016](#) [12004475-L](#) [12010290](#) [12010309-B](#) [12015454](#) [12020219-B](#) [12020308](#) [12041318-B](#) [12052225-L](#) [12052466](#)
[12059125](#) [12064869](#) [12004327-B](#) [12010503-B](#) [12015308](#) [12015384](#) [12015909](#) [1-21030-1](#) [12041254](#) [12041318](#) [12047946-B](#) [12047957](#)
[12047957-L](#) [12059473](#) [12066261](#) [12110546](#)