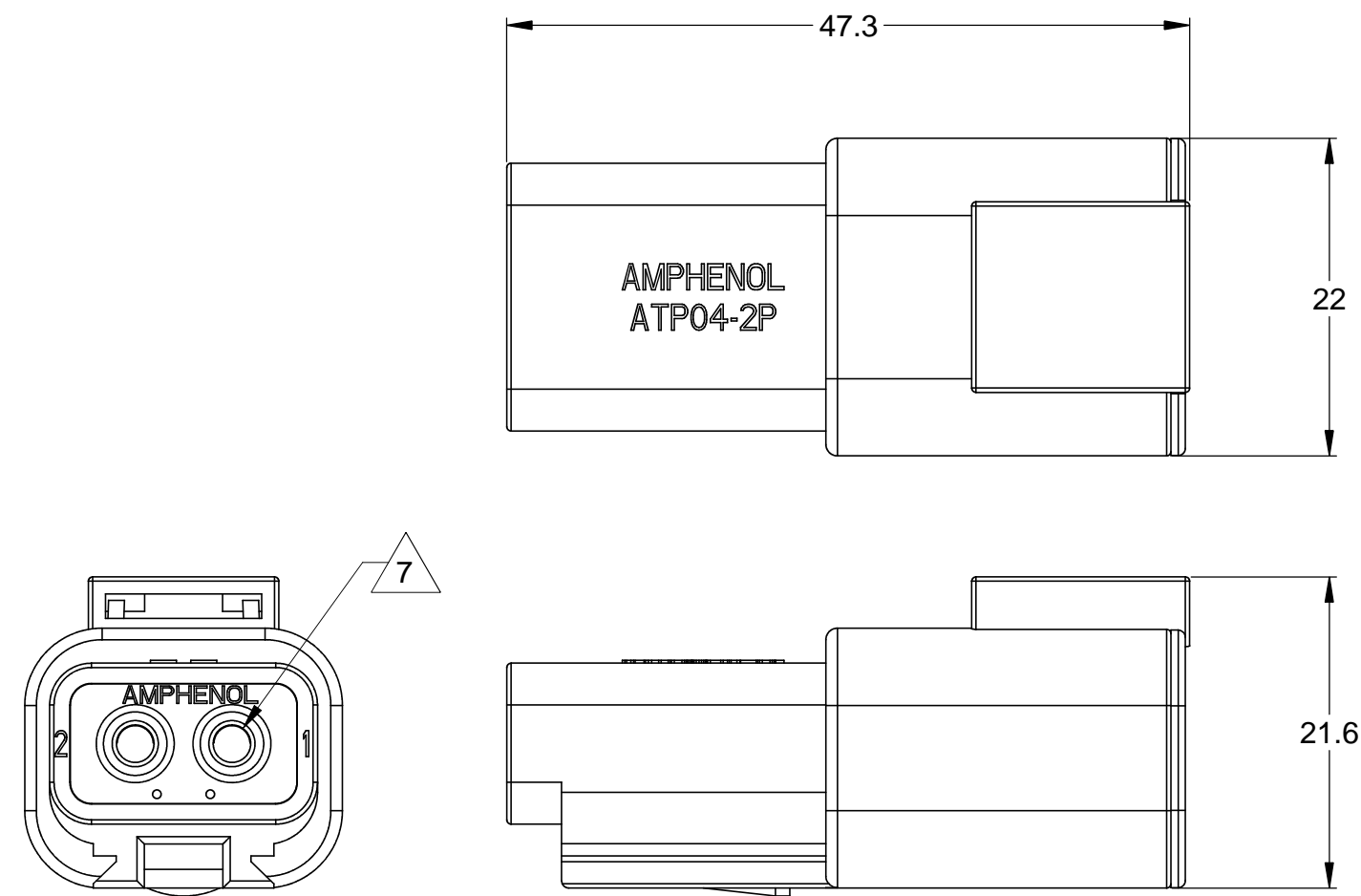
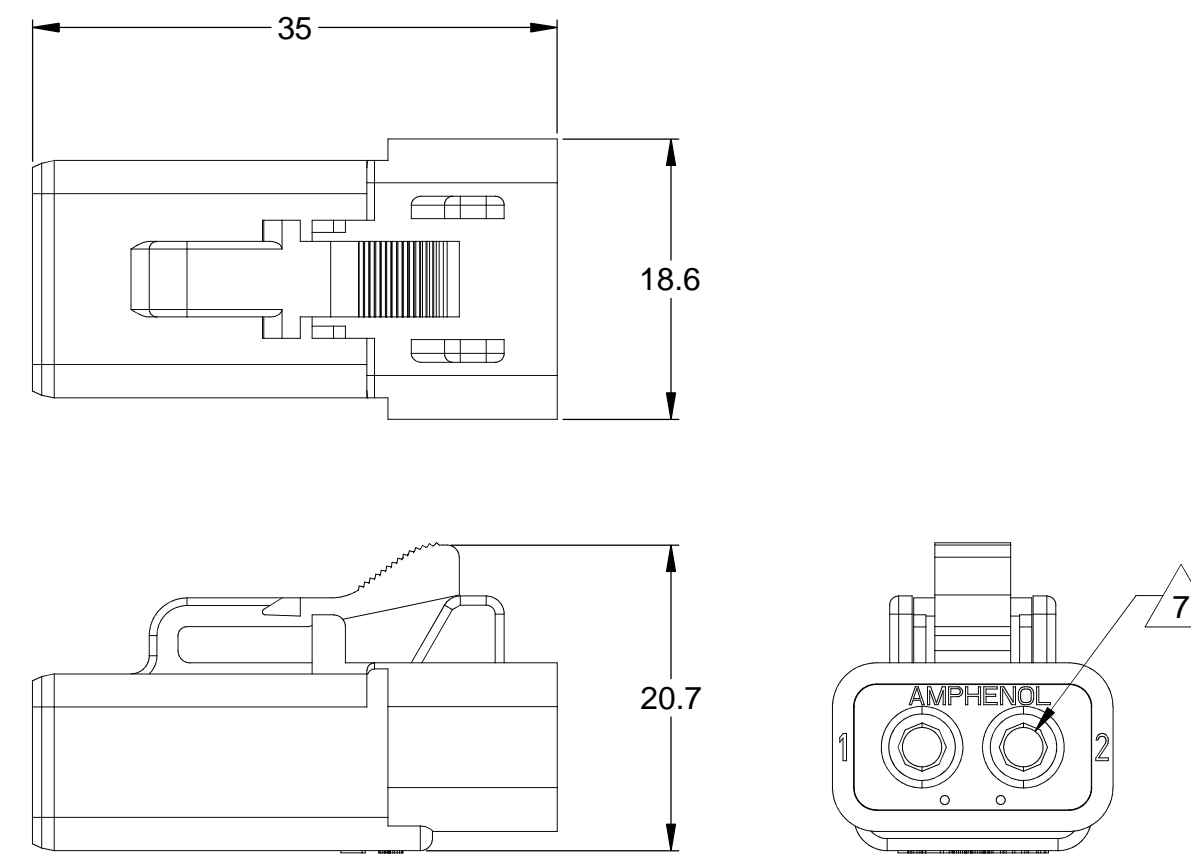


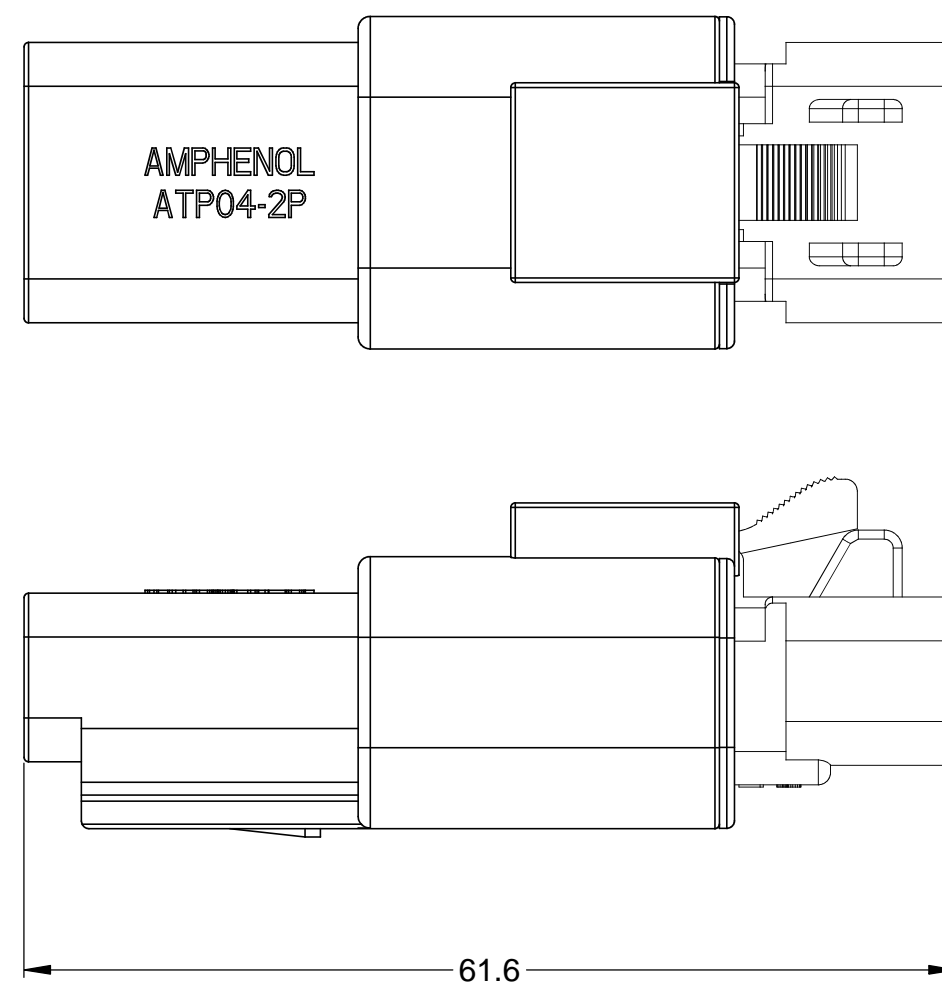
| REVISIONS | | | | | |
|-----------|-----|-------------|-----------|-----|------|
| REV | ECO | DESCRIPTION | DATE | BY | APPR |
| A | - | RELEASE | 10/SEP/13 | DRP | - |



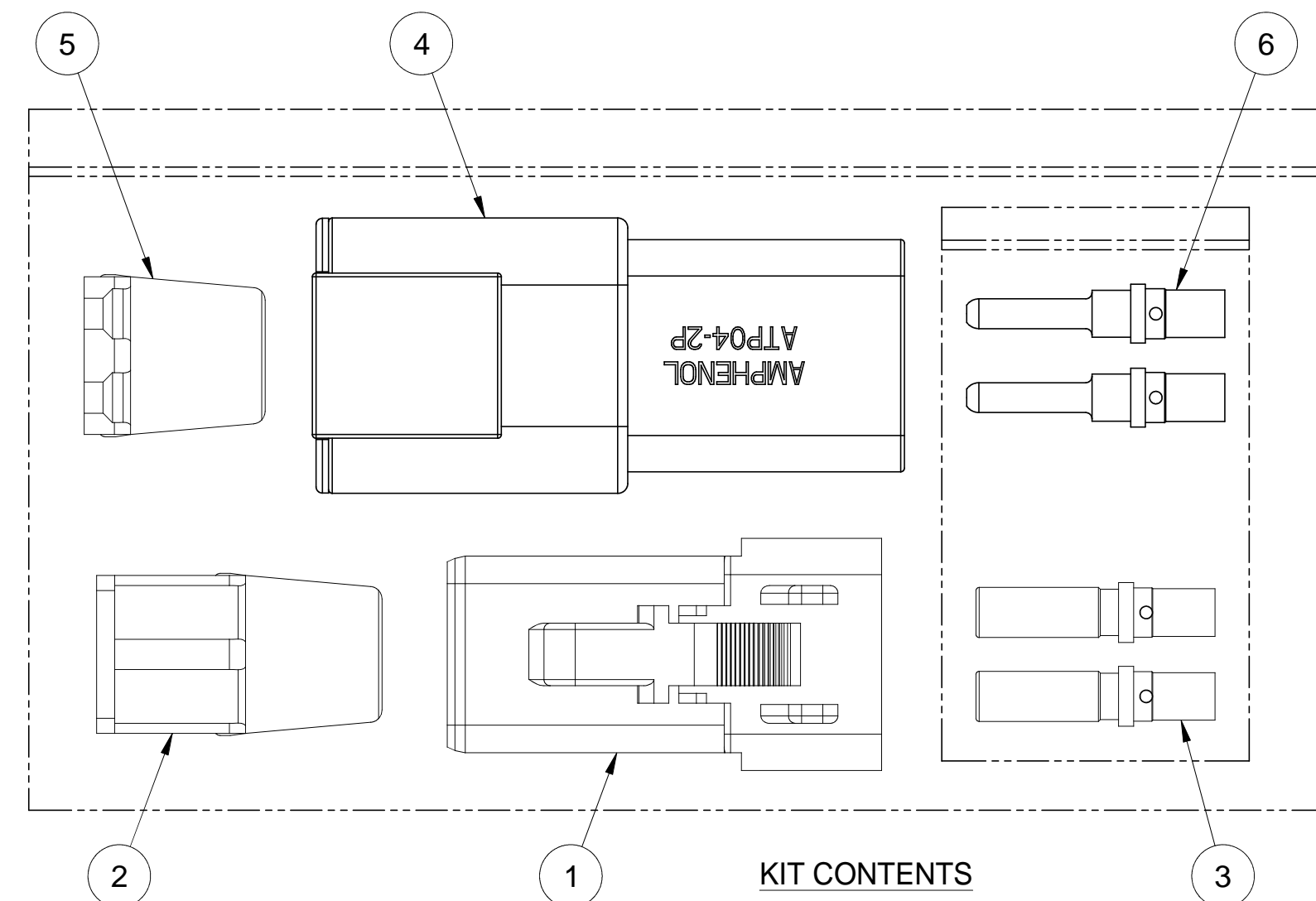
REFERENCE DIMENSIONS - ASSEMBLED RECEPTACLE



REFERENCE DIMENSIONS - ASSEMBLED PLUG



ASSEMBLED PLUG AND RECEPTACLE



KIT CONTENTS

NOTES: UNLESS OTHERWISE SPECIFIED

- MATERIAL:
 - HOUSING: THERMOPLASTIC; COLOR: GREY
 - WEDGELOCK: THERMOPLASTIC; COLOR: ORANGE
 - SEALS: SILICONE RUBBER
 - CONTACTS: COPPER ALLOY; NICKEL PLATED
- SPECIFICATIONS:
 - 2.1 CURRENT RATING: 25 AMPS
 - 2.2 OPERATING TEMPERATURE: -55°C TO +125°C
 - 2.3 DIELECTRIC WITHSTANDING VOLTAGE: LESS THAN 2 MILLIAMPS CURRENT LEAKAGE @ 1500 VOLTS AC.
 - 2.4 INSULATION RESISTANCE: 1000 MEGOHMS MIN @ 25°C.
 - 2.5 CONTACT MILLIVOLT DROP: 60 MILLIVOLT DROP @ 25 AMP TEST CURRENT.
 - 2.6 MOISTURE RESISTANCE: IP67 (MATED CONDITION)
 - 2.7 CONNECTOR MATING CYCLE DURABILITY: 100 CYCLES

- AVAILABLE HAND CRIMPER: CA-5D12
- ALL COMPONENTS ARE RoHS COMPLIANT.
- ALL DIMENSIONS ARE FOR REFERENCE USE ONLY.

- 6 WIRE RANGE OF CONTACTS INCLUDED IN KIT: 12 - 14 AWG
- 7 CONTACT SIZE AND REAR SEAL WIRE RANGE:

| CONTACT SIZE | MIN. INSUL. O.D. | MAX. INSUL. O.D. | TYPICAL WIRE RANGE |
|--------------|-------------------|-------------------|--------------------|
| 12 | 3.40 mm (.134 in) | 4.95 mm (.195 in) | 10 - 14 AWG |

| QTY | PART NUMBER | DESCRIPTION | ITEM |
|-----|----------------|--|------|
| 2 | AT60-204-12141 | CONTACT, PIN, SOLID, SIZE 12, 12 - 14 AWG | 6 |
| 1 | AWP-2P | P-WEDGELOCK, 2 POSITION, ATP SERIES | 5 |
| 1 | ATP04-2P | RECEPTACLE, 2 POSITION, ATP SERIES | 4 |
| 2 | AT62-203-12141 | CONTACT, SOCKET, SOLID, SIZE 12, 12 - 14 AWG | 3 |
| 1 | AWP-2S | S-WEDGELOCK, 2 POSITION, ATP SERIES | 2 |
| 1 | ATP06-2S | PLUG, 2 POSITION, ATP SERIES | 1 |

MATERIALS LIST

UNLESS OTHERWISE SPECIFIED
 1) All dimensions are in metric(mm).
 2) Tolerances are as follows:
 1 PL DEC ±0.30 | Fractions ±1/64
 2 PL DEC ±0.15 | Angles ±1°
 3 PL DEC ±0.08
 3) Note reference = Δ

| SIGNATURES | DATE |
|------------|-----------|
| D. PARKS | 10/SEP/13 |

CUSTOMER: _____

THIS DRAWING IS SUPPLIED FOR INFORMATION ONLY. DESIGN FEATURES, SPECIFICATIONS AND PERFORMANCE DATA SHOWN HEREON ARE THE PROPERTY OF THE AMPHENOL CORPORATION. NO RIGHTS OF REPRODUCTION ARE IMPLIED. ALL DIMENSIONS ARE SUBJECT TO NORMAL MANUFACTURING VARIATIONS.

Amphenol
 Sine Systems - www.amphenol-sine.com
 44724 Morley Drive
 Clinton Township, MI 48036

KIT, ATP SERIES, 2 POSITION PLUG, RECEPTACLE, CONTACTS, AND WEDGELOCKS

SIZE: C C- DWG NO: ATP2PS-CKIT REVISION: A

SCALE: NONE SHEET 1 OF 1

TITLE: KIT, ATP SERIES, 2 POS. PLUG, RECEPTACLE, CONTACTS & WEDGELOCKS
 DWG NO: ATP2PS-CKIT
 REV: A
 SH: 1
 OF: 1

X-ON Electronics

Largest Supplier of Electrical and Electronic Components

Click to view similar products for [Automotive Connectors](#) category:

Click to view products by [Amphenol](#) manufacturer:

Other Similar products are found below :

[003-018-000](#) [60403001](#) [60993906-B](#) [M902-2131](#) [M902-2161](#) [72.330.1035.1](#) [73.353.4028.0](#) [F119300-B](#) [F166900](#) [F258300-B](#) [F358300-B](#)
[F407400](#) [F444110](#) [F487000](#) [F509500B-B](#) [827153-1](#) [8N1515-32-24P](#) [9-1326729-8](#) [925474-1](#) [928905-1](#) [964562-4](#) [968782-1](#) [GT17SA-8DS-](#)
[HU](#) [98891-1012](#) [98947-1016](#) [12004475-L](#) [12010290](#) [12010309-B](#) [12015454](#) [12020219-B](#) [12020308](#) [12041318-B](#) [12052225-L](#) [12052466](#)
[12059125](#) [12064869](#) [12004327-B](#) [12010503-B](#) [12015308](#) [12015384](#) [12015909](#) [1-21030-1](#) [12041254](#) [12041318](#) [12047946-B](#) [12047957](#)
[12047957-L](#) [12059473](#) [12066261](#) [12110546](#)