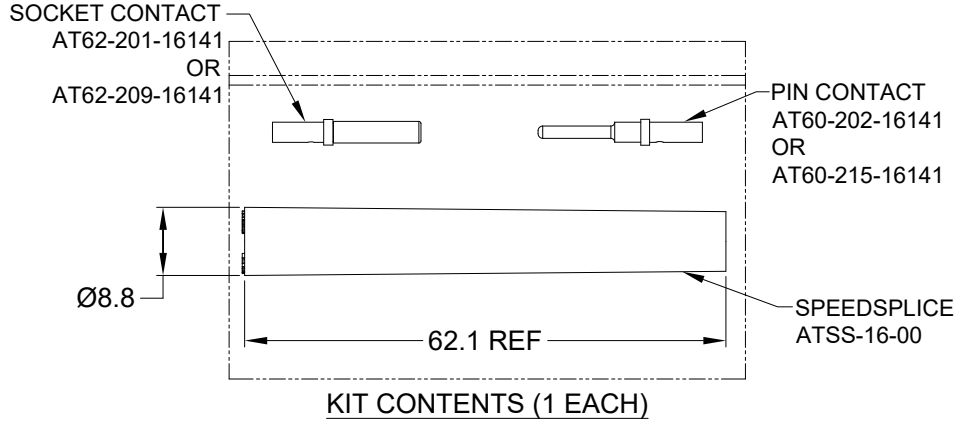


| CONTACT SIZE | MIN. INSUL O.D.  | MAX. INSUL O.D.  | TYPICAL WIRE RANGE | CURRENT RATING |
|--------------|------------------|------------------|--------------------|----------------|
| 16           | 2.54mm (.100 in) | 3.40mm (.134 in) | 14-20AWG           | 13 AMPS        |

| REVISIONS |     |                       |           |     |      |
|-----------|-----|-----------------------|-----------|-----|------|
| REV       | ECO | DESCRIPTION           | DATE      | BY  | APPR |
| A1        | -   | RELEASE               | 11APR2019 | JAH | -    |
| A2        | -   | CORRECTED CROSS TABLE | 10MAY2021 | JAH | -    |



| PIN            | DEUTSCH CROSS  |
|----------------|----------------|
| ATSS-16-00     | JS-16-00       |
| AT60-202-16141 | 0460-202-16141 |
| AT60-215-16141 | 0460-215-16141 |
| AT62-201-16141 | 0462-201-16141 |
| AT62-209-16141 | 0462-209-16141 |

NOTES: UNLESS OTHERWISE SPECIFIED

- MATERIAL:  
CONTACTS: COPPER ALLOY; NICKEL PLATED  
INTEGRATED CONTACT RETENTION SYSTEM  
SPEEDSPlice SEAL: SILICONE RUBBER
- CONTACT SIZE: 16
- SPECIFICATIONS:  
3.1 CURRENT RATING: 13 AMPS  
3.2 CONTACT MILLIVOLT DROP: 60 MILLIVOLT DROP @ 13 AMP TEST CURRENT.  
3.3 RoHS COMPLIANT
- RECOMMENDED WIRE RANGE: SEE CHART
- AVAILABLE HAND CRIMPER: CA-5D12
- ALL DIMENSIONS ARE FOR REFERENCE USE ONLY

| ASY P/N       | RECOMMENDED WIRE RANGE | PIN CONTACT P/N | SOCKET CONTACT P/N |
|---------------|------------------------|-----------------|--------------------|
| ATSS-16-KIT01 | 16-20 AWG              | AT60-202-16141  | AT62-201-16141     |
| ATSS-16-KIT02 | 14 AWG                 | AT60-215-16141  | AT62-209-16141     |

| QUANTITY   | PART NUMBER | DESCRIPTION  | ITEM                  |
|--|-------------|--|-----------------------|
| <b>MATERIALS LIST</b>  |             |  |                       |
| UNLESS OTHERWISE SPECIFIED<br>1) All dimensions are in metric(mm).<br>2) Tolerances are as follows:<br>1 PL DEC ±0.30<br>2 PL DEC ±0.15<br>3 PL DEC ±0.08<br>3) Note reference = |             | SIGNATURES DATE<br>DRAWN: J.HEAD 11APR2019<br>CHECKED:<br>ENGINEER:<br>APPROVAL:<br>CUSTOMER:  |                       |
| MATERIAL SPECIFICATIONS:   |             | <b>Amphenol</b><br>Sine Systems - www.amphenol-sine.com<br>44724 Morley Drive<br>Clinton Township, MI 48036  |                       |
| PROCESS SPECIFICATIONS:  |             | KIT, SPEEDSPlice & SIZE 16<br>SOLID CONTACTS. 16-20 AWG  |                       |
| NEXT ASSY:   |             | THIS DRAWING IS SUPPLIED FOR INFORMATION ONLY. DESIGN FEATURES, SPECIFICATIONS AND PERFORMANCE DATA SHOWN HEREON ARE THE PROPERTY OF THE AMPHENOL CORPORATION. NO RIGHTS OF REPRODUCTION ARE IMPLIED. ALL DIMENSIONS ARE SUBJECT TO NORMAL MANUFACTURING VARIATIONS. | REVISION              |
|  |             | SIZE: A C-   | DWG NO: ATSS-16-KIT0X |
|  |             | SCALE: NONE  | REVISION: A2          |
|  |             | SHEET 1 OF 1   |                       |

## X-ON Electronics

Largest Supplier of Electrical and Electronic Components

*Click to view similar products for [Terminals](#) category:*

*Click to view products by [Amphenol](#) manufacturer:*

Other Similar products are found below :

[00-054007-01074-6](#) [00-054007-70206-1](#) [00-054007-70210-8](#) [00-054007-70217-7](#) [00-054007-70226-9](#) [00-054007-70228-3](#) [00-054007-70248-1](#) [00-054007-70256-6](#) [00-054007-70301-3](#) [00-054007-70316-7](#) [00-054007-49560-4](#) [00-054007-70209-2](#) [00-054007-70225-2](#) [00-054007-70227-6](#) [00-054007-70231-3](#) [00-054007-70241-2](#) [00-054007-70242-9](#) [00-054007-70244-3](#) [00-054007-70246-7](#) [00-054007-70263-4](#) [00-054007-70288-7](#) [00-054007-70290-0](#) [00-054007-70300-6](#) [00-054007-70304-4](#) [01-2065-1-0216](#) [01-2900-1-04412](#) [00581P0075](#) [600TS-10](#) [60205-1](#) [604200-1](#) [605601-1](#) [60598-1-CUT-TAPE](#) [61314-6-C](#) [61810-3](#) [61-S](#) [62149-1](#) [626-0194](#) [62-NBM-A](#) [62-SN](#) [62-SP](#) [640179-1](#) [M55155/059I03](#) [M55155/079C01](#) [M55155/099H02](#) [M55155/109H01](#) [M55155/109H02](#) [M55155/12XH05](#) [M55155/16XH02](#) [M55155/29-5S](#) [M55155/29XJ08](#)