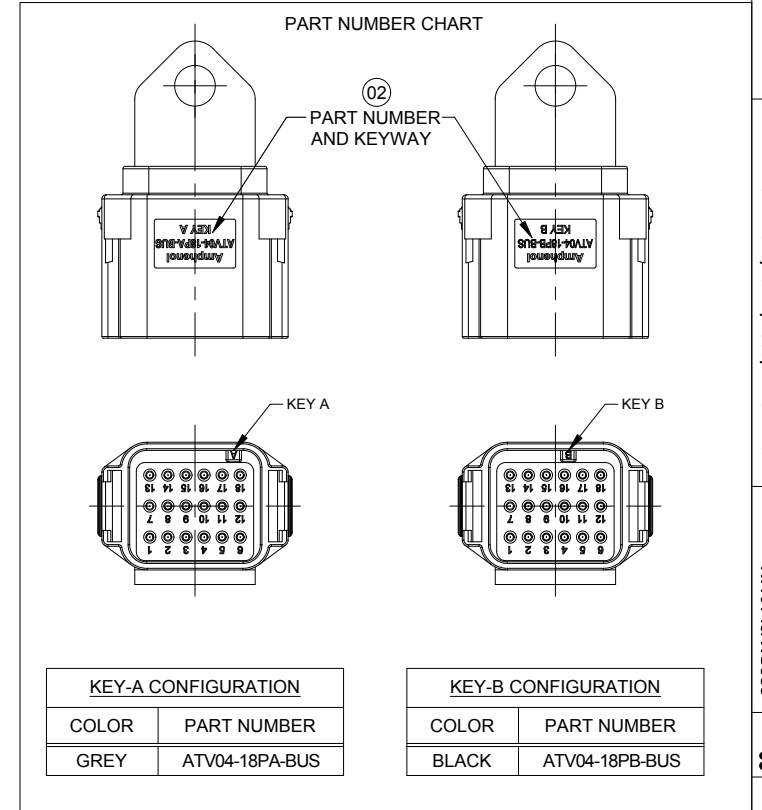
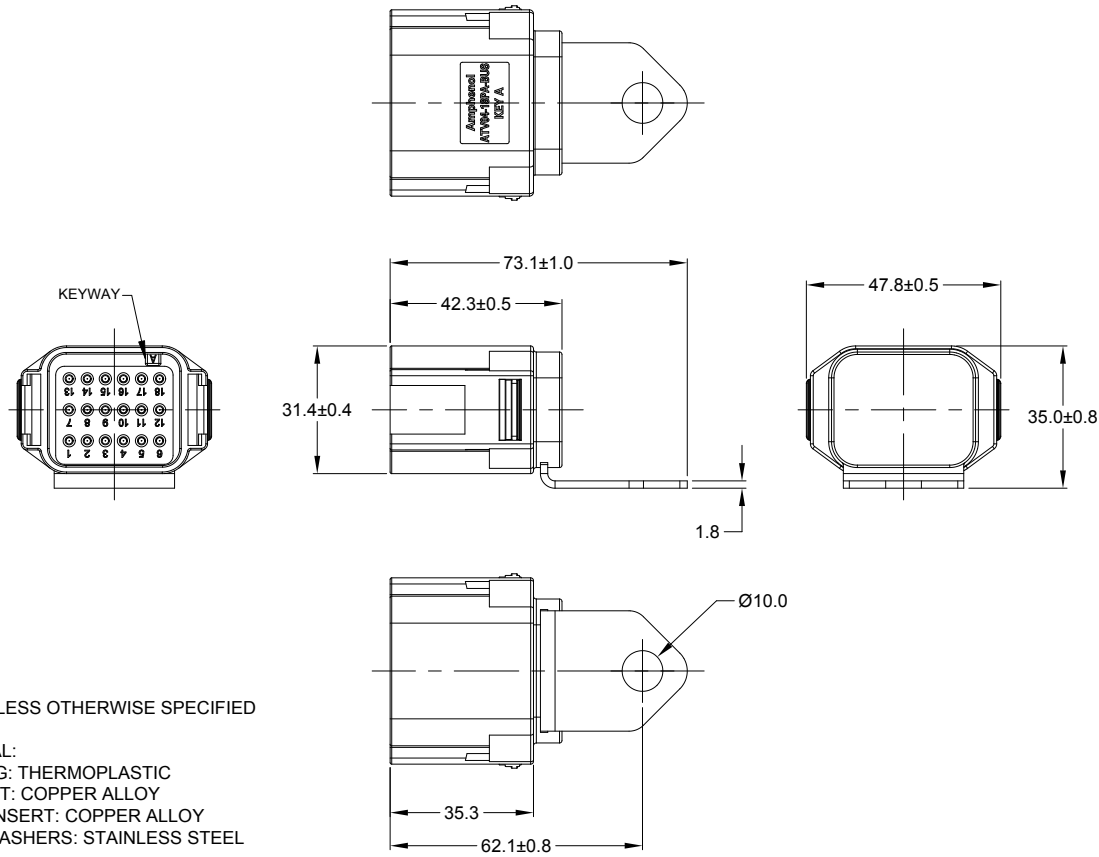


REVISIONS					
REV	ECO	DESCRIPTION	DATE	BY	APPR
01	-	PRELIMINARY DRAWING	15AUG18	SULLEN	TOMMY
02	-	UPDATE DRAWING	30AUG18	SULLEN	TOMMY
03	-	UPDATE DRAWING	21FEB19	SULLEN	TOMMY



NOTES: UNLESS OTHERWISE SPECIFIED

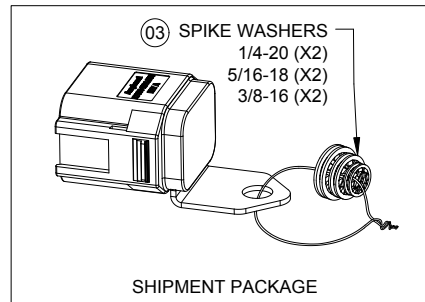
- MATERIAL:  
HOUSING: THERMOPLASTIC  
CONTACT: COPPER ALLOY  
METAL INSERT: COPPER ALLOY  
SPIKE WASHERS: STAINLESS STEEL

- MODIFICATIONS: GROUNDING BUSS

- SPECIFICATIONS:
  - CURRENT RATING: 230 AMPS
  - OPERATING TEMPERATURE: -55°C TO +125°C
  - INSULATION RESISTANCE: 1000 MEGOHMS MIN @ 25°C
  - MOISTURE RESISTANCE: IP67 ( MATED CONDITION )
  - MATING CYCLE DURABILITY: 100 CYCLES
  - RoHS COMPLIANT

- MATING PART: ATV06-18SX\* PLUG  
( X = A,B KEYS ; \* = MODIFICATIONS AND COLORS)

- ALL DIMENSIONS ARE FOR REFERENCE USE ONLY



SEE PART NUMBER CHART		DESCRIPTION		ITEM								
QUANTITY	PART NUMBER											
<b>MATERIALS LIST</b>												
<b>UNLESS OTHERWISE SPECIFIED</b>		<b>SIGNATURES</b>	<b>DATE</b>									
1) All dimensions are in metric (mm).		DRAWN: SULLENZHANG	21FEB19									
2) Tolerances are as follows:		CHECKED: ORIONLI	21FEB19									
1 PL DEC ±0.30		ENGINEER:										
2 PL DEC ±0.15		APPROVAL: TOMMYXIE	21FEB19									
3 PL DEC ±0.08		CUSTOMER:										
3) Note reference =		THIS DRAWING IS SUPPLIED FOR INFORMATION ONLY. DESIGN FEATURES, SPECIFICATIONS AND PERFORMANCE DATA SHOWN HEREON ARE THE PROPERTY OF THE AMPHENOL CORPORATION. NO RIGHTS OF REPRODUCTION ARE IMPLIED. ALL DIMENSIONS ARE SUBJECT TO NORMAL MANUFACTURING VARIATIONS.										
MATERIAL SPECIFICATIONS:		<table border="1"> <tr> <td>SIZE</td> <td>TYPE</td> <td>DWG NO.</td> <td>REVISION</td> </tr> <tr> <td>B</td> <td>C-</td> <td>ATV04-18PX-BUS</td> <td>03</td> </tr> </table>			SIZE	TYPE	DWG NO.	REVISION	B	C-	ATV04-18PX-BUS	03
SIZE	TYPE	DWG NO.	REVISION									
B	C-	ATV04-18PX-BUS	03									
PROCESS SPECIFICATIONS:		<table border="1"> <tr> <td>SCALE</td> <td>NONE</td> <td>SHEET</td> <td>1 OF 1</td> </tr> </table>			SCALE	NONE	SHEET	1 OF 1				
SCALE	NONE	SHEET	1 OF 1									
NEXT ASSY:												

TITLE: RECEPTACLE, 18 PIN, BUSS, ATV SERIES  
DWG NO.: ATV04-18PX-BUS  
REV: 03  
SH: 1  
OF: 1

**Amphenol**

Sine Systems - www.amphenol-sine.com  
44724 Morley Drive  
Clinton Township, MI 48036

RECEPTACLE, 18 PIN, BUSS,  
ATV SERIES

## X-ON Electronics

Largest Supplier of Electrical and Electronic Components

*Click to view similar products for [Automotive Connectors](#) category:*

*Click to view products by [Amphenol](#) manufacturer:*

Other Similar products are found below :

[003-018-000](#) [60403001](#) [60993906-B](#) [M902-2131](#) [M902-2161](#) [72.330.1035.1](#) [73.353.4028.0](#) [F119300-B](#) [F166900](#) [F258300-B](#) [F358300-B](#)  
[F407400](#) [F444110](#) [F487000](#) [F509500B-B](#) [827153-1](#) [8N1515-32-24P](#) [9-1326729-8](#) [925474-1](#) [928905-1](#) [964562-4](#) [968782-1](#) [GT17SA-8DS-](#)  
[HU](#) [98891-1012](#) [98947-1016](#) [12004475-L](#) [12010290](#) [12010309-B](#) [12015454](#) [12020219-B](#) [12020308](#) [12041318-B](#) [12052225-L](#) [12052466](#)  
[12059125](#) [12064869](#) [12004327-B](#) [12010503-B](#) [12015308](#) [12015384](#) [12015909](#) [1-21030-1](#) [12041254](#) [12041318](#) [12047946-B](#) [12047957](#)  
[12047957-L](#) [12059473](#) [12066261](#) [12110546](#)