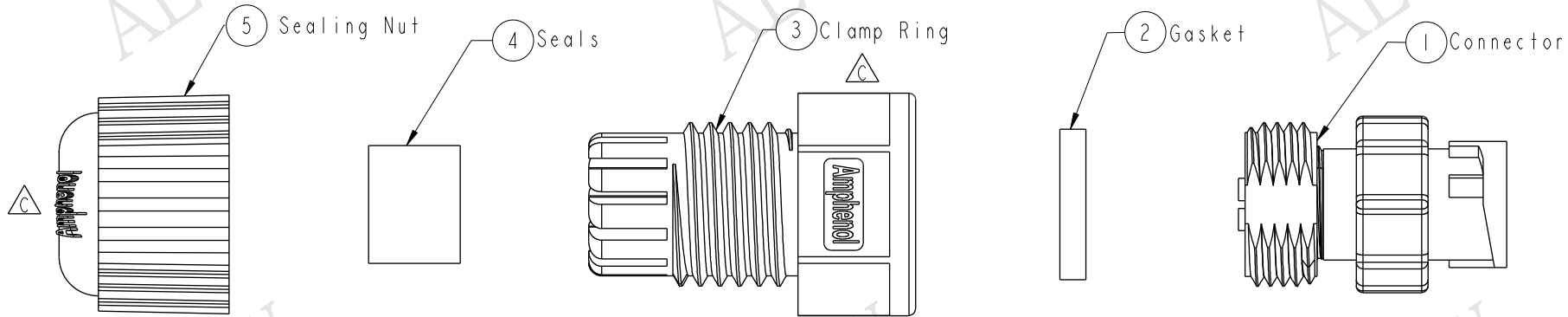
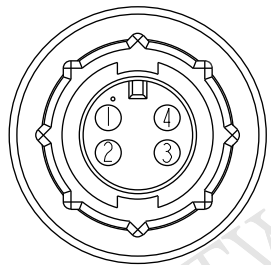
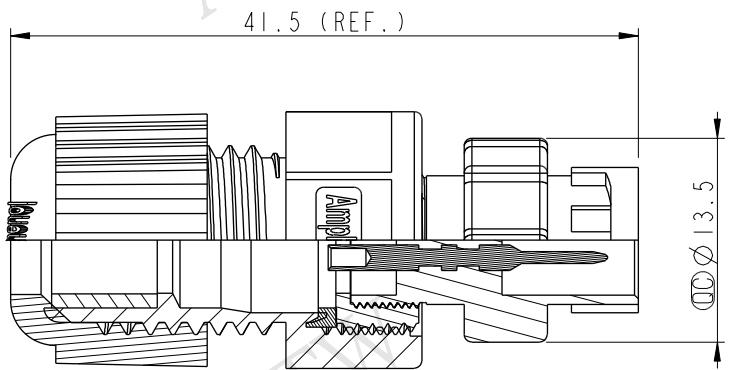


REV.	ECN NO.	DATE	SIGN	DESCRIPTION
B	LEN-080018	2010/08/04	Zhang Xing	Update Drawing
C	LEN1490187	2014/08/19	Rita	Change Logo LTW To Amphenol



ALTW
 CONFIDENTIAL
 2014-09-23
 R&D DEPT.



Pin Assignments
Front View 前視圖

- Note:
- * CC Important Dimension
 - * $\triangle C$ Waterproof Rate: IP67
 - * Connector: Nylon+GF, Black
 - * Gasket: EPDM, Black
 - * Clamp Ring: Nylon, Black
 - * Seals: EPDM, Black
 - * Sealing Nut: Nylon, Black
 - * Seals for Cable OD: $\varnothing 4.5\text{mm} \sim \varnothing 6.5\text{mm}$
 - * One Set Unassembled In One LTW PE Bag

UNIT: mm TOLERANCE .X ± 0.25 .XX ± 0.1 .XXX ± 0.05 ANGLES $\pm 1^\circ$	TITLE MINI SIZE CURRENT 2A			ITEM NO AU-04BMMA-LL7001		DRAWN BY Rita		DATE 2014-08-19		
	SCALE 2:1		SIZE A4		SHEET 1 OF 1		CHECKED BY Vicky		DATE 2014-08-19	
	REV. C		WC-REV. A.2		CC : Inspection item		APPROVED BY Wenmao		DATE 2014-08-19	
	Amphenol LTW 安費諾亮泰企業股份有限公司				CUSTOMER ALTW					

THIS DOCUMENT IS SUBJECT TO CHANGE WITHOUT NOTICE. IT IS CONFIDENTIAL AND A PROPERTY OF Amphenol LTW. DISCLOSURE TO THIRD PARTY HAS TO BE AUTHORIZED BY Amphenol LTW.

X-ON Electronics

Largest Supplier of Electrical and Electronic Components

Click to view similar products for [Standard Circular Connector](#) category:

Click to view products by [Amphenol](#) manufacturer:

Other Similar products are found below :

[5M2530B10P](#) [600259N006](#) [600273N007](#) [6134-336-13149](#) [6134-337-11149](#) [6134-337-2390](#) [6134-341-17149](#) [6280-4SG-516](#) [6280-7SG-3DC](#)
[6290](#) [6291A](#) [66200A-10](#) [680-SMG](#) [681-PMG](#) [CXS3102A14S2P](#) [CXS3102A181S](#) [7251-6SG-300](#) [7271-6SG-300](#) [7282-3PG-300-CH3](#) [75-](#)
[474014-05S](#) [75-474618-01S](#) [75-474618-04P](#) [75-474618-04S](#) [799539-000](#) [MI8-SE](#) [805-005-07NF11-19PC](#) [805-005-07NF15-7PA](#) [8280-4PG-](#)
[516](#) [8280-7PG-519](#) [8282-5PG-519](#) [836783-1](#) [MP-4102-25P-C](#) [862256-1](#) [864019-2](#) [866857-1](#) [867865-1](#) [PT01SP-14-18P](#) [PT08P-14-5S](#)
[PTSF06SE-14-12S](#) [120-1833-000](#) [QCM019PC2DC012B](#) [1-2069279-1](#) [121583-0217](#) [121667-0020](#) [129591AU](#) [1000B BULK](#) [RD10A16-19-](#)
[P6CS051/1](#) [RD10A20-31-P8CS051/1](#) [RD16A14-12-S6CS051/2](#) [1301240290](#) [1301240347](#)