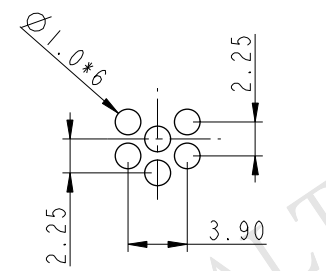
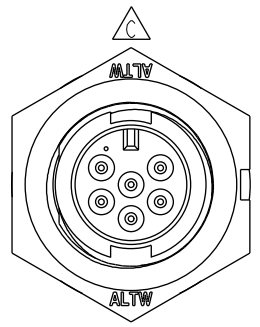
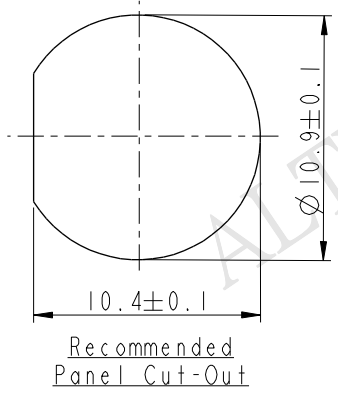
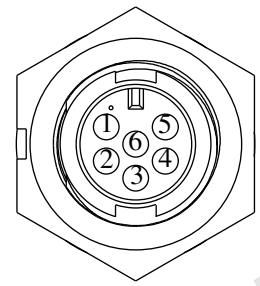


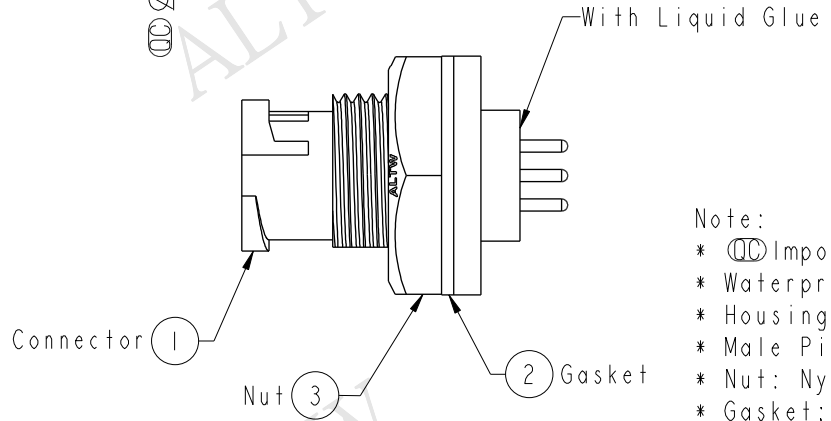
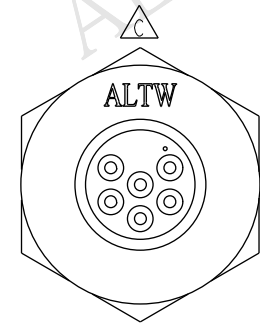
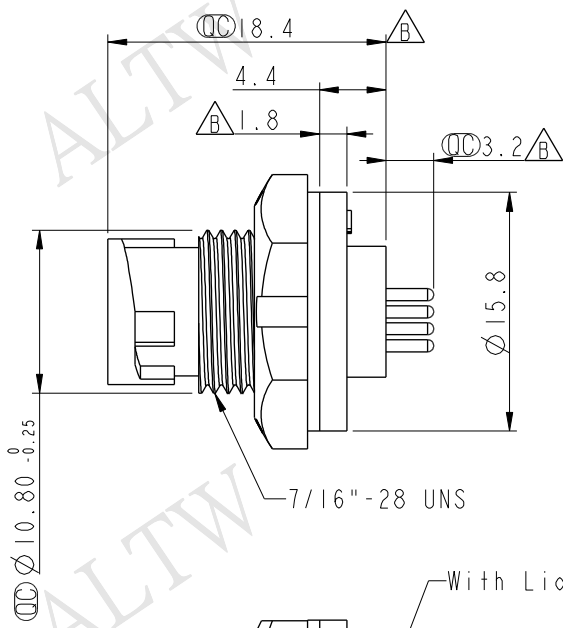
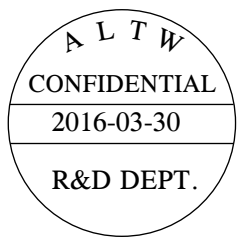
| REV. | ECN NO.    | DATE       | SIGN       | DESCRIPTION       |
|------|------------|------------|------------|-------------------|
| B    | LEN-880493 | 2008/07/19 | Li Xiu Zhi | Change Dimensions |
| C    | LEN1640081 | 2016/03/30 | Vicky      | Update Logo       |



6 Pin Male Conn  
Male Pin PCB Layout



Pin Assignments  
Front View



- Note:
- \*  $\varnothing$  Important Dimension
  - \* Waterproof Rate: IP67
  - \* Housing: Nylon+GF, Black
  - \* Male Pin: Copper Alloy, Gold Plated
  - \* Nut: Nylon+GF, Black
  - \* Gasket: EPDM, Black
  - $\triangle B$  \* Use with waterproof cap or dust cap  
For Panel Thickness max: 2.5mm
  - $\triangle B$  \* Use without waterproof cap or dust cap  
For Panel Thickness max: 3.5mm

|           |       |
|-----------|-------|
| UNIT:mm   |       |
| TOLERANCE |       |
| .X        | ±0.25 |
| .XX       | ±0.1  |
| .XXX      | ±0.05 |
| ANGLES    | ±1°   |

|   |                |                                 |  |
|---|----------------|---------------------------------|--|
| TITLE<br>Mini Panel Lock 6Pin M Conn. M Pin |                |                                 |  |
| SCALE<br>2:1                                | SIZE<br>A4     | SHEET 1 OF 1                    |  |
| REV.<br>C                                   | WC-REV.<br>A.5 | $\varnothing$ : Inspection item |  |

**Amphenol LTW**  
安費諾亮泰企業股份有限公司

|                              |                     |                    |
|------------------------------|---------------------|--------------------|
| ITEM NO.<br>AU-06PMMP-LC7001 | DRAWN BY<br>Vicky   | DATE<br>2016-03-30 |
| DWG NO.<br>AU-06PMMP-LC7001  | CHECKED BY<br>Rita  | DATE<br>2016-03-30 |
| CUSTOMER<br>ALTW             | APPROVED BY<br>Lisa | DATE<br>2016-03-30 |

THIS DOCUMENT IS SUBJECT TO CHANGE WITHOUT NOTICE. IT IS CONFIDENTIAL AND A PROPERTY OF AMPHENOL LTW. DISCLOSURE TO THIRD PARTY HAS TO BE AUTHORIZED BY AMPHENOL LTW.

## X-ON Electronics

Largest Supplier of Electrical and Electronic Components

*Click to view similar products for [Sensor Cables / Actuator Cables](#) category:*

*Click to view products by [Amphenol](#) manufacturer:*

Other Similar products are found below :

[60963](#) [60964](#) [M83513/19-F01CP](#) [703000D02F2002](#) [703001D02F0602](#) [703001D02F300](#) [704000D02F120](#) [773032K02F030](#) [802027107404-1](#)  
[802027213811-1](#) [804001A09M150](#) [805001A09M0502](#) [84914-0235](#) [84914-0237](#) [885030A09M020](#) [8R4J30E03C3003](#) [1200651332](#)  
[1200651713](#) [1200660844](#) [1200660845](#) [1200661173](#) [1200680071](#) [1200720053](#) [1200720081](#) [1200720099](#) [1200720217](#) [1200800231](#)  
[1200860125](#) [1200870123](#) [1200980102](#) [1200650267](#) [1200650298](#) [1200660183](#) [1200660782](#) [1200660849](#) [1200661295](#) [1200661297](#)  
[1200661342](#) [1200661343](#) [1200670080](#) [1200670220](#) [1200680331](#) [1200720252](#) [1200730184](#) [1200860344](#) [1200870359](#) [1200870643](#)  
[1200980008](#) [1200980031](#) [1210502211](#)