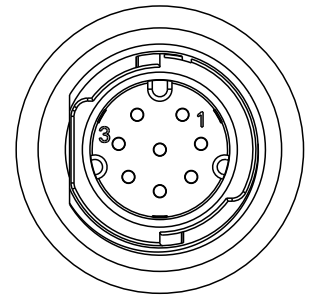
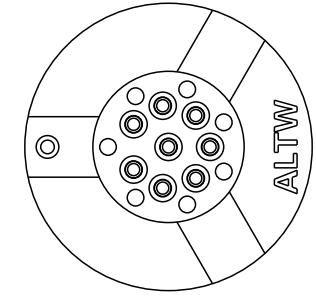
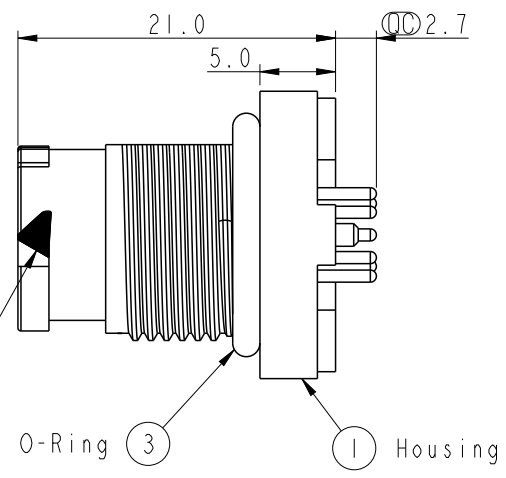
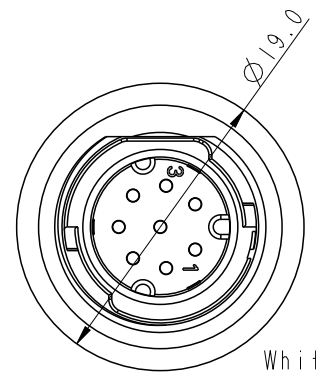


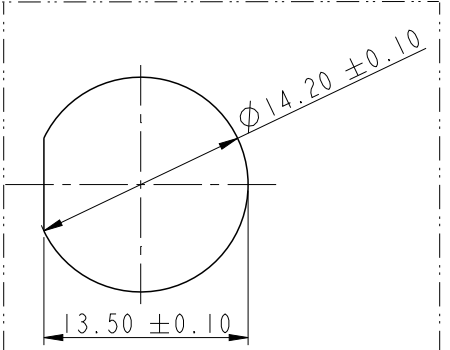
THIS DOCUMENT IS SUBJECT TO CHANGE WITHOUT NOTICE. IT IS CONFIDENTIAL AND A PROPERTY OF AMPHENOL LTW. DISCLOSURE TO THIRD PARTY HAS TO BE AUTHORIZED BY AMPHENOL LTW.

REV.	ECN NO.	DATE	SIGN	DESCRIPTION
A		2019/05/22	Gill Lai	02版轉A版

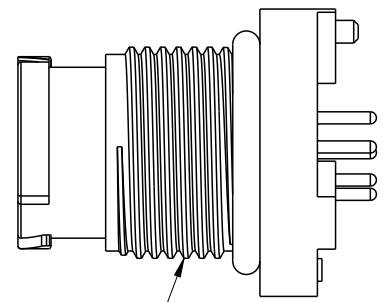
ALTW
CONFIDENTIAL
 2019-05-22
R&D DEPT.



Pin Assignments
Front View



Recommend Panel Cut Out



- Note:
- * CC Important Dimension To Check
 - * Waterproof Rate: IP68, Unmated.
In 1 meter water within 24 hours
 - * Housing: Thermoplastic, Black.
 - * Pin: Copper Alloy, Gold Plated.
 - * Nut: Thermoplastic, Black.
 - * Gasket: Rubber, Gray.
 - * Use Without Waterproof Cap
Panel Thickness Max: 4.0mm
 - * Use With Waterproof Cap
Panel Thickness Max: 3.0mm
 - * For PCB Thickness Max: 2.0mm
 - * Nut are packed separately in Zipper bags.

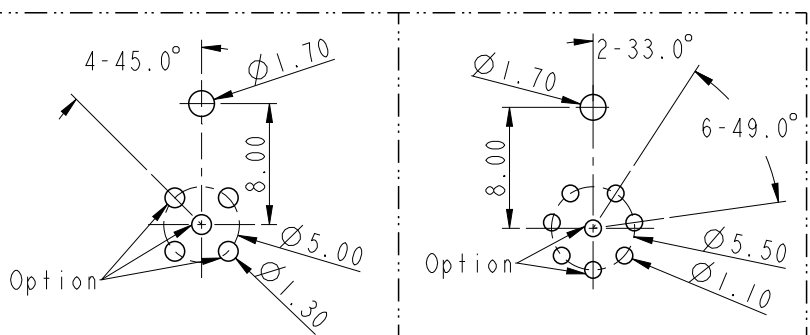
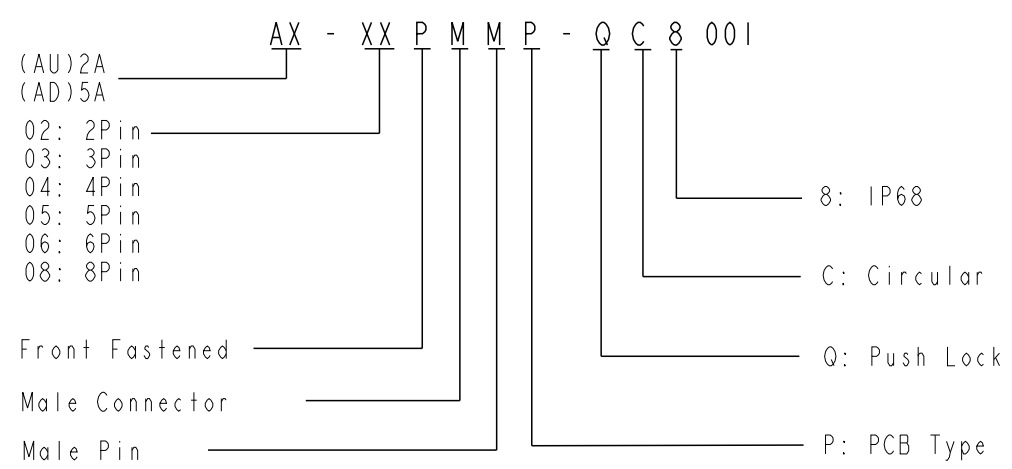
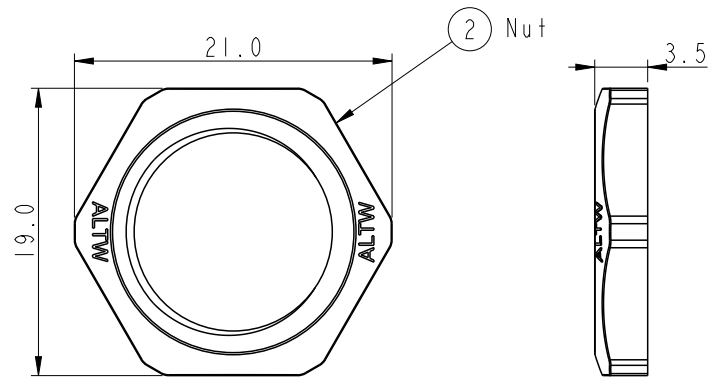
UNIT:mm		
TOLERANCE ± 0.25		

TITLE X Lok A-Size Receptacle Front Fastened M Conn M Pin			
SCALE 2:1	SIZE A4	SHEET 1 OF 2	
REV. A	WC-REV. A.5	CC : Inspection item	

Amphenol LTW
 安費諾亮泰企業股份有限公司

ITEM NO. AX-XXPMP-OC8001	DRAWN BY Gill Lai	DATE 2019/05/22
DWG NO. AX-XXPMP-OC8001	CHECKED BY Sam Ho	DATE 2019/05/22
CUSTOMER ALTW	APPROVED BY Fred Lee	DATE 2019/05/22

THIS DOCUMENT IS SUBJECT TO CHANGE WITHOUT NOTICE. IT IS CONFIDENTIAL AND A PROPERTY OF Amphenol LTW. DISCLOSURE TO THIRD PARTY HAS TO BE AUTHORIZED BY Amphenol LTW.



Recommended PCB Layout
Tolerance ± 0.05
ANGLES $\pm 1^\circ$

2PIN	3PIN	4PIN	5PIN	6PIN	8PIN
AD-02PMMP-QC8001	AD-03PMMP-QC8001	AD-04PMMP-QC8001	AD-05PMMP-QC8001	AU-06PMMP-QC8001	AU-08PMMP-QC8001

UNIT:mm			TITLE X Lok A-Size Receptacle Front Fastened M Conn M Pin		
TOLERANCE ± 0.25		SCALE 2:1	SIZE A4	SHEET 2 OF 2	
REV. A	WC-REV. A.5	QC: Inspection item			

Amphenol LTW
安費諾亮泰企業股份有限公司

ITEM NO AX-XXPMMP-QC8001	DRAWN BY Gill Lai	DATE 2019/05/22
DWG NO AX-XXPMMP-QC8001	CHECKED BY Sam Ho	DATE 2019/05/22
CUSTOMER ALTW	APPROVED BY Fred Lee	DATE 2019/05/22

X-ON Electronics

Largest Supplier of Electrical and Electronic Components

Click to view similar products for [Circular Metric Connectors](#) category:

Click to view products by [Amphenol](#) manufacturer:

Other Similar products are found below :

[600X518037X](#) [6STD15PCR99B70A](#) [8R4000A16M020](#) [8R5000A16M005](#) [1200910002](#) [1203580030](#) [1200910008](#) [1200910011](#) [1300140094](#)
[130203-0054](#) [1300140026](#) [1300150099](#) [1-3637-600-5205](#) [1612618](#) [21036836414](#) [8R4006A16M010](#) [1R3006A20M005](#) [41-40011](#) [42-00006](#)
[42-01015](#) [4-22279-4](#) [4-22281-1](#) [4-22284-9](#) [43-00113](#) [43-01203](#) [41-40013](#) [42-00008](#) [43-00343](#) [43-01026](#) [43-01162](#) [43-01173](#) [43-10000](#)
[XS3P-M421-2](#) [600X518050X](#) [8R5006A16M020](#) [8R5006A16M005](#) [8R4000A16M010](#) [6-22279-3](#) [1605332](#) [N03FA03144](#) [1300140077](#) [43-](#)
[16213](#) [43-01338](#) [XS2RD4265](#) [XS2R-D426-1](#) [XS8A-0441](#) [859RD04-103R004](#) [860RD04-113R004](#) [860RD04-213R004](#) [1-213245-2](#)