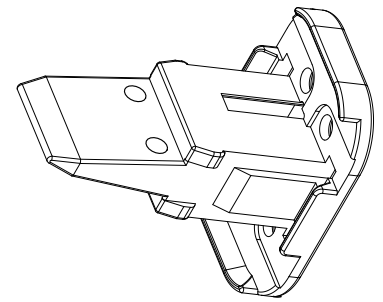
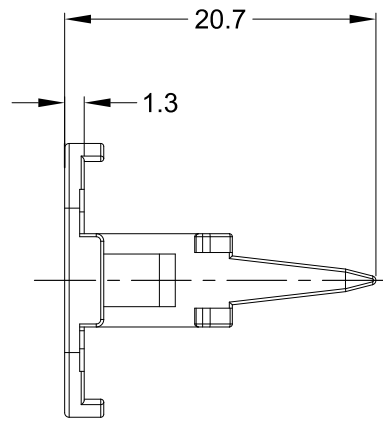
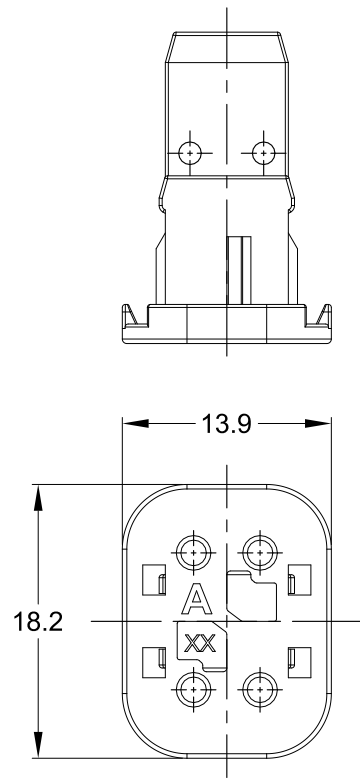


REVISIONS					
REV	ECO	DESCRIPTION	DATE	BY	APPR
A1	-	RELEASE NUMBER	11/JUL/22	RONALD	TOMMY



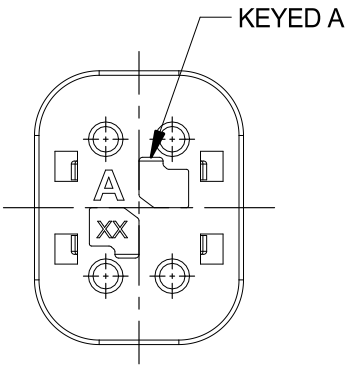
NOTES: UNLESS OTHERWISE SPECIFIED

1. MATERIAL: THERMOPLASTIC; COLOR: SEE SHEET 2
2. RoHS COMPLIANT
3. CAVITIES: 4
4. KEYED: SEE SHEET 2
5. USE WITH CONNECTORS AT06-4S\*  
(\* = MODIFICATIONS AND/OR COLORS)
6. ALL DIMENSIONS ARE FOR REFERENCE USE ONLY.

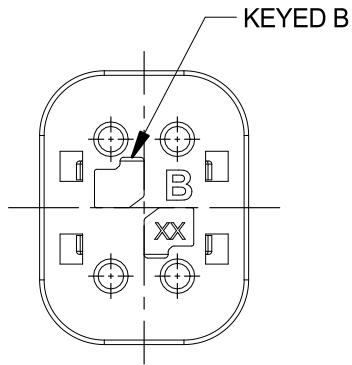
QUANTITY	AW4S-x	REF: W4SA-P012, W4SB-P012, W4SC-P012, W4SD-P012		ITEM
QUANTITY	PART NUMBER	DESCRIPTION		ITEM
<b>MATERIALS LIST</b>				
UNLESS OTHERWISE SPECIFIED 1) All dimensions are in metric(mm). 2) Tolerances are as follows: 1 PL DEC ±0.30   Fractions ±1/64 2 PL DEC ±0.15   Angles ±1° 3 PL DEC ±0.08 3) Note reference =		<b>SIGNATURES</b> <b>DATE</b> DRAWN: RONALD    11/JUL/22 CHECKED: ORION    12/JUL/22 APPROVAL: TOMMY    13/JUL/22		<div style="text-align: center;"> <h1>Amphenol</h1> <p>Sine Systems - www.amphenol-sine.com            44724 Morley Drive            Clinton Township, MI 48036</p> </div>
MATERIAL SPECIFICATIONS: WEIGHT: 1.14g		CUSTOMER: THIS DRAWING IS SUPPLIED FOR INFORMATION ONLY. DESIGN FEATURES, SPECIFICATIONS AND PERFORMANCE DATA SHOWN HEREON ARE THE PROPERTY OF THE AMPHENOL CORPORATION. NO RIGHTS OF REPRODUCTION ARE IMPLIED. ALL DIMENSIONS ARE SUBJECT TO NORMAL MANUFACTURING VARIATIONS.		
PROCESS SPECIFICATIONS: NEXT ASSY:		SIZE: <b>B</b> TYPE: <b>C-</b> DWG NO.: <b>AW4S-x</b> SCALE: <b>NONE</b>		REVISION: <b>A1</b> SHEET 1 OF 2

TITLE: S-WEDGELOCK, 4 POS, KEYED, AT SERIES  
 DWG NO.: AW4S-x  
 REV: A1  
 SH: 1  
 OF: 2

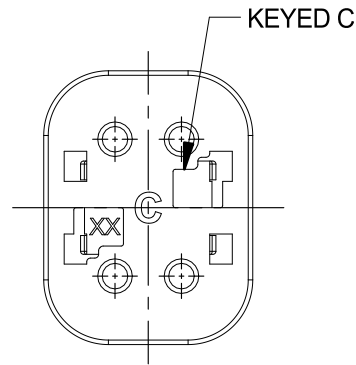
REVISIONS					
REV	ECO	DESCRIPTION	DATE	BY	APPR
A1	-	RELEASE NUMBER	11/JUL/22	RONALD	TOMMY



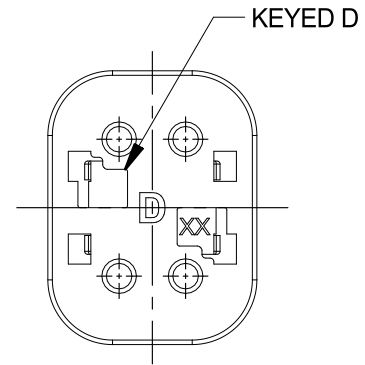
**AW4S-A**  
GRAY



**AW4S-B**  
BLACK



**AW4S-C**  
GREEN



**AW4S-D**  
BROWN

TITLE: S-WEDGELOCK, 4 POS, KEYED AT SERIES  
 DWG NO: AW4S-x  
 REV: A1  
 SH: 2  
 OF: 2

QUANTITY	AW4S-x	REF: W4SA-P012, W4SB-P012, W4SC-P012, W4SD-P012		ITEM
PART NUMBER	DESCRIPTION			
<b>MATERIALS LIST</b>				
UNLESS OTHERWISE SPECIFIED 1) All dimensions are in metric(mm). 2) Tolerances are as follows: 1 PL DEC ±0.30   Fractions ±1/64 2 PL DEC ±0.15   Angles ±1° 3 PL DEC ±0.08 3) Note reference =		<b>SIGNATURES</b> <b>DATE</b> DRAWN: RONALD    11/JUL/22 CHECKED: ORION    12/JUL/22 APPROVAL: TOMMY    13/JUL/22		<h1>Amphenol</h1> <p>Sine Systems - www.amphenol-sine.com            44724 Morley Drive            Clinton Township, MI 48036</p>
<b>MATERIAL SPECIFICATIONS:</b> WEIGHT: 1.14g		<b>CUSTOMER:</b> THIS DRAWING IS SUPPLIED FOR INFORMATION ONLY. DESIGN FEATURES, SPECIFICATIONS AND PERFORMANCE DATA SHOWN HEREON ARE THE PROPERTY OF THE AMPHENOL CORPORATION. NO RIGHTS OF REPRODUCTION ARE IMPLIED. ALL DIMENSIONS ARE SUBJECT TO NORMAL MANUFACTURING VARIATIONS.		
<b>PROCESS SPECIFICATIONS:</b>		<b>SIZE</b> <b>TYPE</b> <b>DWG NO:</b> B    C-    AW4S-x		<b>REVISION</b> A1
<b>NEXT ASSY:</b>		<b>SCALE:</b> NONE		SHEET 2 OF 2

## X-ON Electronics

Largest Supplier of Electrical and Electronic Components

*Click to view similar products for [Automotive Connectors](#) category:*

*Click to view products by [Amphenol](#) manufacturer:*

Other Similar products are found below :

[003-018-000](#) [60993906-B](#) [72.330.1035.1](#) [776880-1](#) [827153-1](#) [9-1326729-8](#) [9-221607-5](#) [925474-1](#) [928905-1](#) [964562-4](#) [968782-1](#) [12004468](#)  
[12004475-L](#) [12004483](#) [12052466](#) [12066163](#) [12015909](#) [12077753](#) [1-21030-1](#) [12047957](#) [12047958](#) [12185550](#) [12336-12](#) [1-326211-1](#)  
[13681974](#) [13688972](#) [13755420](#) [13779834](#) [13783086](#) [13843152](#) [13522378](#) [13581967](#) [13669624](#) [13675513](#) [13753471](#) [13946876](#) [13955963](#)  
[13964573](#) [13971791](#) [13790534-L](#) [13797473](#) [13805590](#) [13888202](#) [13969981](#) [1428188-1](#) [1437287-3](#) [1428188-2](#) [DS07-19S-5020](#) [1456983-5](#)  
[1456987-7](#)