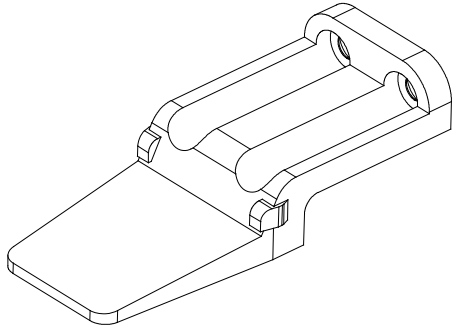
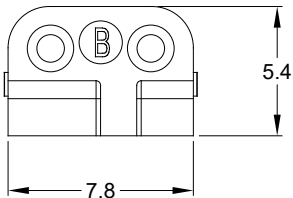
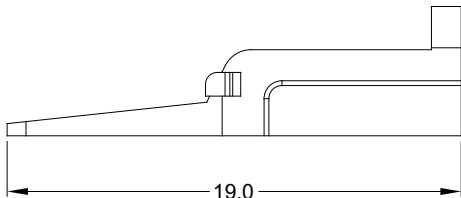
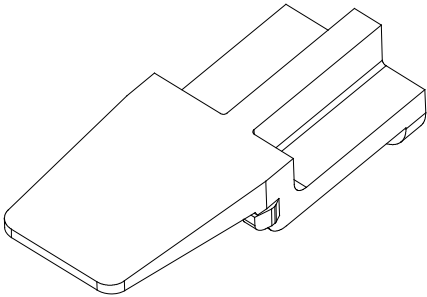
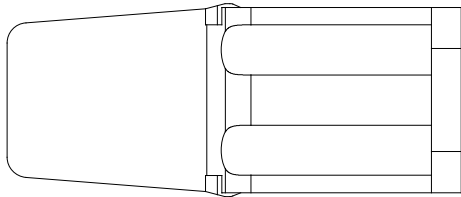


REVISIONS					
REV	ECO	DESCRIPTION	DATE	BY	APPR
A1	-	RELEASE	26/JUL/16	JONY	TOMMY



**NOTES: UNLESS OTHERWISE SPECIFIED**

1. MATERIAL: THERMOPLASTIC; COLOR: BLACK
2. RoHS COMPLIANT
3. CAVITIES: 2
4. KEYED: B KEYED
5. USE WITH CONNECTORS ATM06-2S\*  
(\* = MODIFICATIONS AND COLORS)
6. ALL DIMENSIONS ARE FOR REFERENCE USE ONLY.

AWM-2SB		REF: WM-2SB													
PART NUMBER		DESCRIPTION													
QUANTITY	MATERIALS LIST														
<p><b>UNLESS OTHERWISE SPECIFIED</b></p> <p>1) All dimensions are in metric(mm).                  2) Tolerances are as follows:                  1 PL DEC ±0.30    Fractions ±1/64                  2 PL DEC ±0.15    Angles ±1°                  3 PL DEC ±0.08</p> <p>3) Note reference = </p>		<table border="1"> <thead> <tr> <th>SIGNATURES</th> <th>DATE</th> </tr> </thead> <tbody> <tr> <td>DRAWN: JONY</td> <td>26/JUL/16</td> </tr> <tr> <td>CHECKED: Orion</td> <td>26/JUL/16</td> </tr> <tr> <td>ENGINEER:</td> <td></td> </tr> <tr> <td>APPROVAL: Tommy</td> <td>26/JUL/16</td> </tr> <tr> <td>CUSTOMER:</td> <td></td> </tr> </tbody> </table>		SIGNATURES	DATE	DRAWN: JONY	26/JUL/16	CHECKED: Orion	26/JUL/16	ENGINEER:		APPROVAL: Tommy	26/JUL/16	CUSTOMER:	
SIGNATURES	DATE														
DRAWN: JONY	26/JUL/16														
CHECKED: Orion	26/JUL/16														
ENGINEER:															
APPROVAL: Tommy	26/JUL/16														
CUSTOMER:															
MATERIAL SPECIFICATIONS:		<p><b>Amphenol</b></p> <p>Sine Systems - www.amphenol-sine.com                  44724 Morley Drive                  Clinton Township, MI 48036</p>													
PROCESS SPECIFICATIONS:		<p>S-WEDGELOCK, 2 POS, B KEYED, ATM SERIES</p>													
NEXT ASSY:		<table border="1"> <tr> <td>SIZE</td> <td>TYPE</td> <td>DWG NO:</td> <td>REVISION</td> </tr> <tr> <td>B</td> <td>C-</td> <td>AWM-2SB</td> <td>A1</td> </tr> </table>	SIZE	TYPE	DWG NO:	REVISION	B	C-	AWM-2SB	A1					
SIZE	TYPE	DWG NO:	REVISION												
B	C-	AWM-2SB	A1												
		SCALE: NONE	SHEET 1 OF 1												

## X-ON Electronics

Largest Supplier of Electrical and Electronic Components

*Click to view similar products for [Automotive Connectors](#) category:*

*Click to view products by [Amphenol](#) manufacturer:*

Other Similar products are found below :

[003-018-000](#) [60403001](#) [60993906-B](#) [M902-2131](#) [M902-2161](#) [72.330.1035.1](#) [73.353.4028.0](#) [F119300-B](#) [F166900](#) [F258300-B](#) [F358300-B](#)  
[F407400](#) [F444110](#) [F487000](#) [F509500B-B](#) [827153-1](#) [8N1515-32-24P](#) [9-1326729-8](#) [925474-1](#) [928905-1](#) [964562-4](#) [968782-1](#) [GT17SA-8DS-](#)  
[HU](#) [98891-1012](#) [98947-1016](#) [12004475-L](#) [12010290](#) [12010309-B](#) [12015454](#) [12020219-B](#) [12020308](#) [12041318-B](#) [12052225-L](#) [12052466](#)  
[12059125](#) [12064869](#) [12004327-B](#) [12010503-B](#) [12015308](#) [12015384](#) [12015909](#) [1-21030-1](#) [12041254](#) [12041318](#) [12047946-B](#) [12047957](#)  
[12047957-L](#) [12059473](#) [12066261](#) [12110546](#)