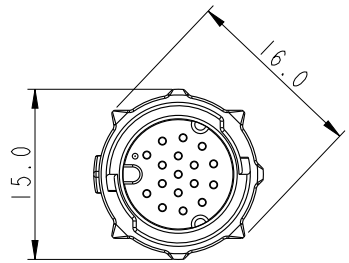
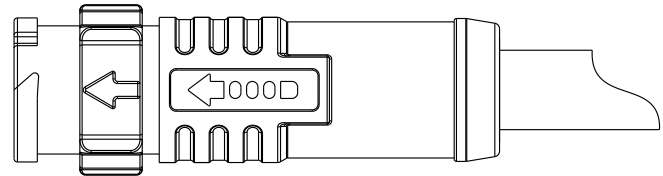
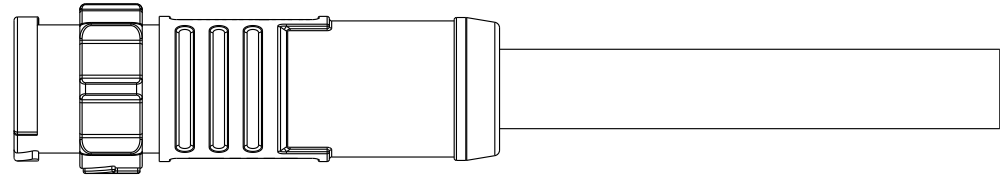
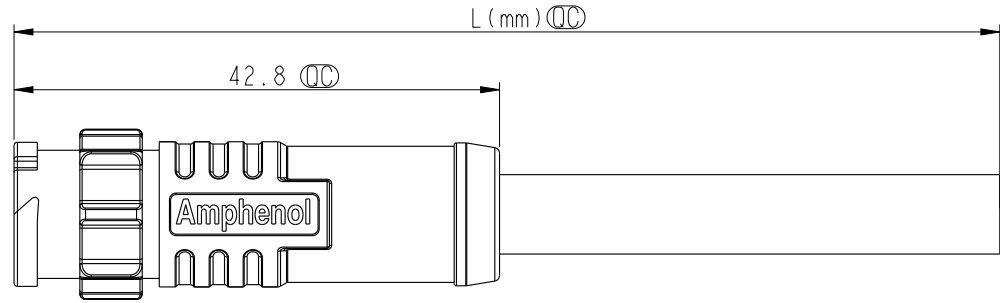


THIS DOCUMENT IS SUBJECT TO CHANGE WITHOUT NOTICE. IT IS CONFIDENTIAL AND A PROPERTY OF Amphenol LTW. DISCLOSURE TO THIRD PARTY HAS TO BE AUTHORIZED BY Amphenol LTW.

REV.	ECN NO.	DATE	SIGN	DESCRIPTION



Conn.



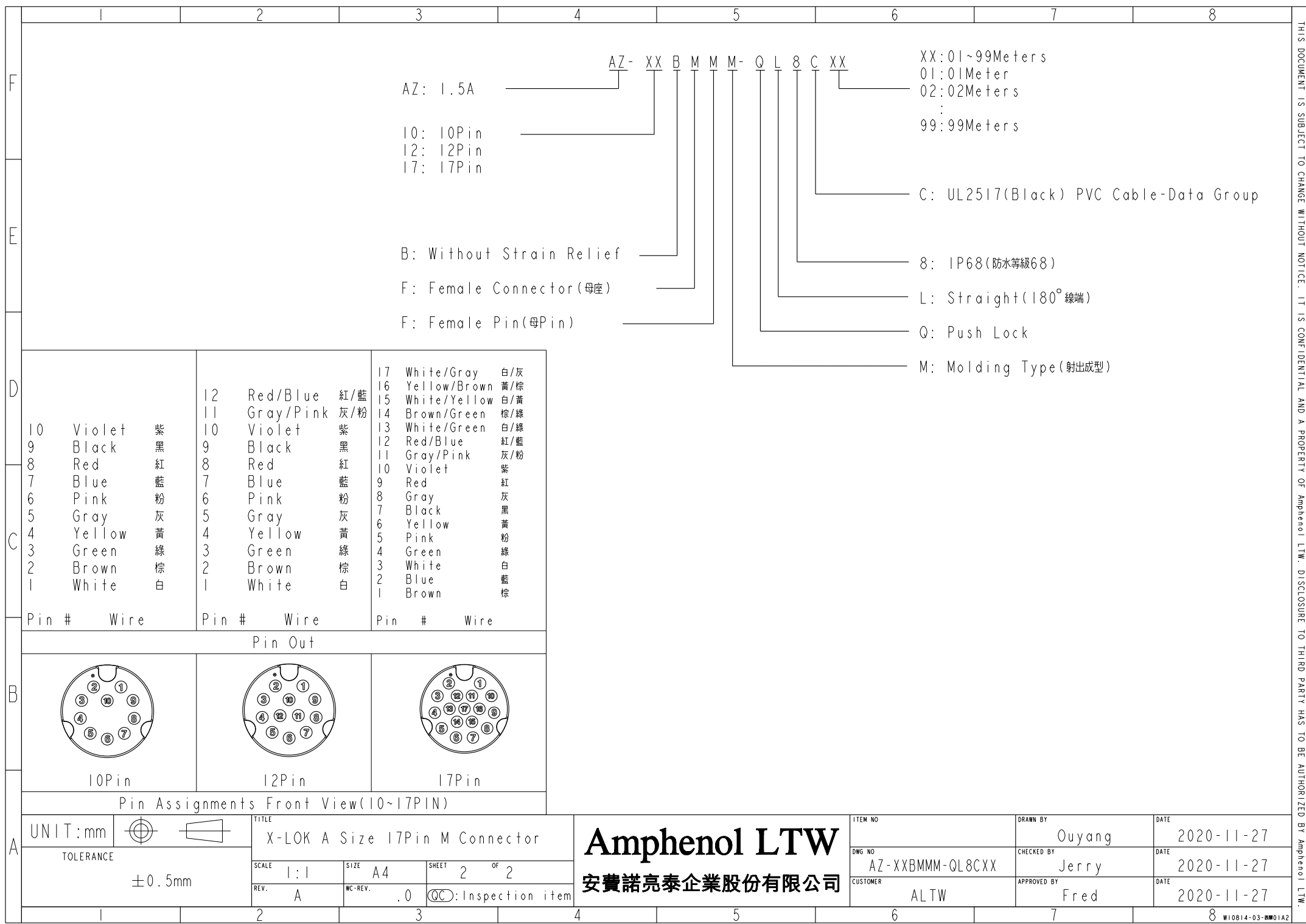
- Note:
- * (CC) Important Dimension To Check.
 - * Waterproof Rate: IP68(Mated)
 - * Flame Class: UL94V-0 (UV Resistance)
 - * Housing: Thermoplastic, Black.
 - * Female Pin: Copper Alloy, Gold Plated.
 - * Nut: Thermoplastic, Black.
 - * Outer Mold: Thermoplastic, Black.
 - * O-Ring: Rubber, Black
 - * Rated Current: 17Pin 1.5A(30V)
 - * Cable: UL2517 26#*17C, OD=7.0mm, PVC Black
 - * Cable Length Tolerance: 01M:±40mm
02M~05M:±60mm
06M~10M:±100mm

UNIT:mm			TITLE X-LOK A Size 17Pin M Connector		
TOLERANCE	±0.5mm		SCALE 1:1	SIZE A4	SHEET 1 OF 2
REV. A	WC-REV. .0	(CC): Inspection item			

Amphenol LTW
安費諾亮泰企業股份有限公司

ITEM NO	DRAWN BY Ouyang	DATE 2020-11-27
DWG NO AZ-XXBMMM-QL8CXX	CHECKED BY Jerry	DATE 2020-11-27
CUSTOMER ALTW	APPROVED BY Fred	DATE 2020-11-27

THIS DOCUMENT IS SUBJECT TO CHANGE WITHOUT NOTICE. IT IS CONFIDENTIAL AND A PROPERTY OF Amphenol LTW. DISCLOSURE TO THIRD PARTY HAS TO BE AUTHORIZED BY Amphenol LTW.



AZ: 1.5A
 10: 10Pin
 12: 12Pin
 17: 17Pin

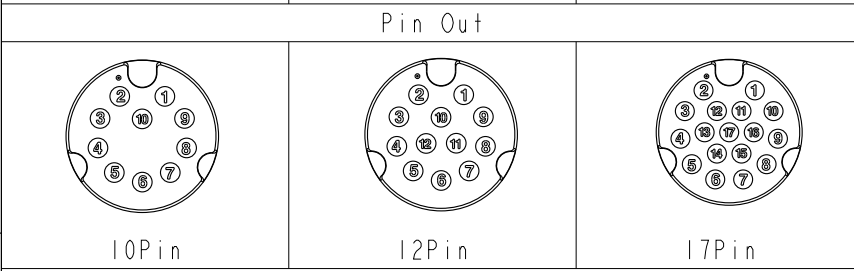
B: Without Strain Relief
 F: Female Connector(母座)
 F: Female Pin(母Pin)

AZ- XX B M M M- Q L 8 C XX

XX: 01~99Meters
 01: 01Meter
 02: 02Meters
 ...
 99: 99Meters

C: UL2517(Black) PVC Cable-Data Group
 8: IP68(防水等級68)
 L: Straight(180°線端)
 Q: Push Lock
 M: Molding Type(射出成型)

10	Violet	紫黑	10	Violet	紫黑	17	White/Gray	白/灰
9	Black	紅	11	Gray/Pink	灰/粉	16	Yellow/Brown	黃/棕
8	Red	藍	9	Black	紫黑	15	White/Yellow	白/黃
7	Blue	粉	8	Red	紅	14	Brown/Green	棕/綠
6	Pink	灰	7	Blue	藍	13	White/Green	白/綠
5	Gray	黃	6	Pink	粉	12	Red/Blue	紅/藍
4	Yellow	綠	5	Gray	灰	11	Gray/Pink	灰/粉
3	Green	棕	4	Yellow	黃	10	Violet	紫
2	Brown	白	3	Green	綠	9	Red	紅
1	White		2	Brown	棕	8	Gray	灰
			1	White	白	7	Black	黑
						6	Yellow	黃
						5	Pink	粉
						4	Green	綠
						3	White	白
						2	Blue	藍
						1	Brown	棕



Pin Assignments Front View(10~17PIN)

UNIT:mm		TITLE
TOLERANCE	±0.5mm	X-LOK A Size 17Pin M Connector
SCALE	1:1	SIZE A4
REV.	A	SHEET 2 OF 2
		WC-REV. .0
		☉: Inspection item

Amphenol LTW
 安費諾亮泰企業股份有限公司

ITEM NO	DRAWN BY	DATE
DWG NO	CHECKED BY	DATE
CUSTOMER	APPROVED BY	DATE
ALTW	Ouyang	2020-11-27
	Jerry	2020-11-27
	Fred	2020-11-27

X-ON Electronics

Largest Supplier of Electrical and Electronic Components

Click to view similar products for [Sensor Cables / Actuator Cables](#) category:

Click to view products by [Amphenol](#) manufacturer:

Other Similar products are found below :

[60963](#) [60964](#) [703000D02F2002](#) [703000D02F300](#) [703001D02F0602](#) [703001D02F1201](#) [703001D02F300](#) [704000D02F120](#) [MDM21SH001F](#)
[773032K02F030](#) [802027107404-1](#) [802027213811-1](#) [804001A09M150](#) [805001A09M0502](#) [84914-0235](#) [84914-0237](#) [885030A09M010](#)
[885030A09M020](#) [8R4006A18M010](#) [1200651332](#) [1200651713](#) [1200660844](#) [1200660845](#) [1200661173](#) [1200680071](#) [1200720053](#)
[1200720081](#) [1200720099](#) [1200720217](#) [1200800231](#) [1200860125](#) [1200870123](#) [1200980102](#) [1200650298](#) [1200660183](#) [1200660782](#)
[1200660849](#) [1200661295](#) [1200661297](#) [1200661342](#) [1200661343](#) [1200670220](#) [1200680331](#) [1200720252](#) [1200720255](#) [1200720597](#)
[1200730184](#) [1200860344](#) [1200870359](#) [1200870643](#)