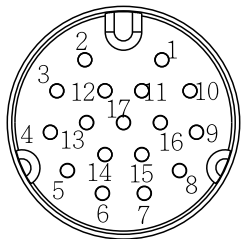
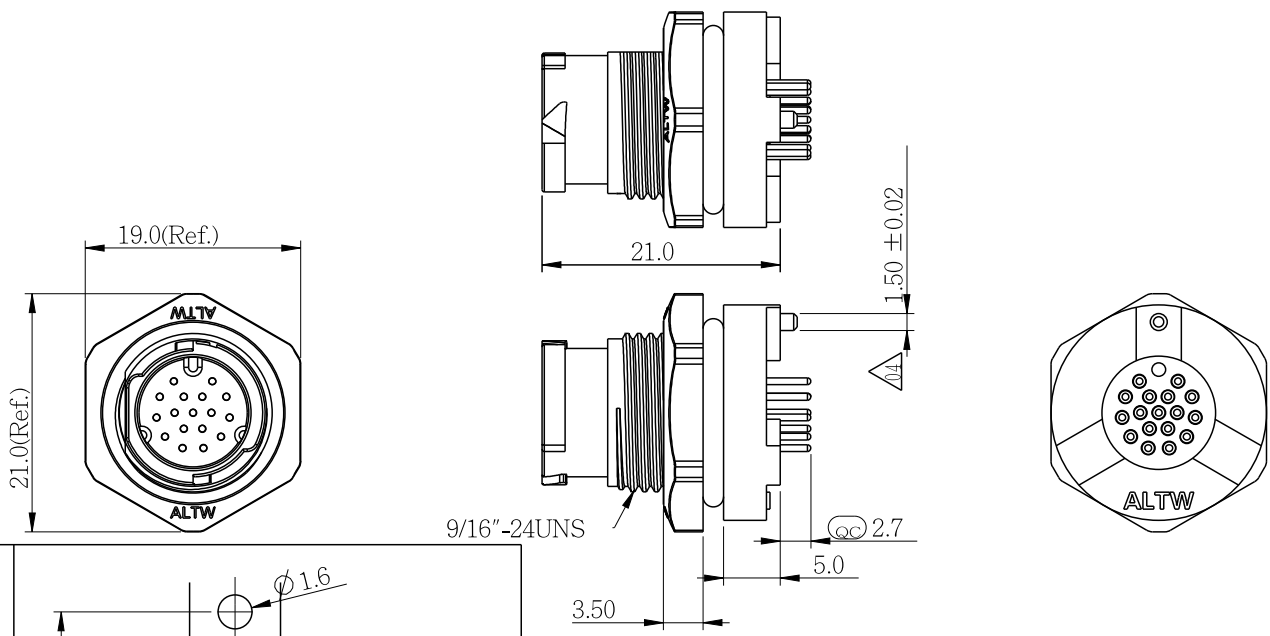
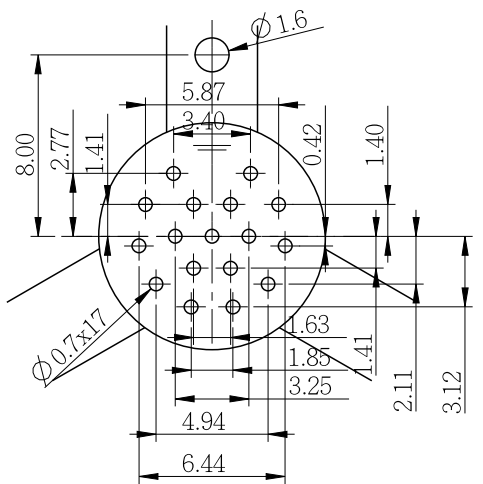


THIS DOCUMENT IS SUBJECT TO CHANGE WITHOUT NOTICE. IT IS CONFIDENTIAL AND A PROPERTY OF AMPHENOL LTW. DISCLOSE TO THIRD PARTY HAS TO BE AUTHORIZED BY AMPHENOL LTW.

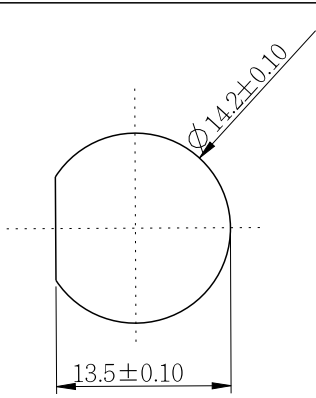
REV.	ECN NO.	DATE	SIGN	DESCRIPTION
A		2020/10/27	Victor Hung	04 To A



Front View  
Pin Layout



Recommended  
PCB Layout



Recommend  
Panel Cut Out

- Note:
- \* **Important Dimension To Check**
  - \* Waterproof Rate: IP68, Unmated.  
In 1 meter water within 24 hours
  - \* Housing: Thermoplastic, Black.
  - \* Pin: Copper Alloy, Gold Plated.
  - \* Nut: Thermoplastic, Blck.
  - \* O-Ring: Rubber, Gray.
  - \* Use Without Waterproof Cap  
Panel Thickness Max: 4.0mm
  - \* Use With Waterproof Cap  
Panel Thickness Max: 3.0mm
  - \* For PCB Thickness Max. 2.0mm
  - \* Nut are packed separately in Zipper bags.

UNIT:mm		
TOLERANCE		
.X ±0.25		
.XX ±0.1		
.XXX ±0.05		
ANGLES ±1°		

TITLE XLOK, A-1.5A, 17P, FRONT FASTENED M, M, PCB S, PUSH LOCK		
SCALE 1:1	SIZE A4	SHEET 1 1 OF
REV. A	WC-REV. .0	Inspection item

**Amphenol LTW**  
安費諾亮泰企業股份有限公司

ITEM NO. AZ-17PMMP-QC8001	DRAWN BY Victor Hung	DATE 2020/10/27
DWG NO. AZ-17PMMP-QC8001	CHECKED BY Aric Ko	DATE 2020/10/27
CUSTOMER ALTW	APPROVED BY Max Yang	DATE 2020/10/27

## X-ON Electronics

Largest Supplier of Electrical and Electronic Components

*Click to view similar products for [Circular Metric Connectors](#) category:*

*Click to view products by [Amphenol](#) manufacturer:*

Other Similar products are found below :

[600X518037X](#) [MA1EAF1200](#) [6STD15PCR99B70A](#) [8R4000A16M020](#) [8R4A00A18M020](#) [8R5000A16M005](#) [1200910008](#) [1200910011](#)  
[1300140094](#) [130203-0054](#) [1300150099](#) [RF-12S1N8A90DU](#) [1-3637-600-5205](#) [1612618](#) [8R4006A16M010](#) [8R5006A18A120](#) [1604232](#)  
[1R3006A20M005](#) [RF-12P1N8A80DU](#) [RF-12P1N8A90DU](#) [41-01016](#) [41-40011](#) [41-40017](#) [42-01015](#) [4-22279-4](#) [4-22281-1](#) [4-22284-9](#) [43-](#)  
[00002](#) [43-01166](#) [41-40005](#) [41-40016](#) [43-00161](#) [43-01191](#) [XS3P-M421-2](#) [600X518050X](#) [SACC-DSI-FS-5P-PG9-L180 SC](#) [8R4006A16A120](#)  
[8R4000A16M010](#) [RKC 50/16](#) [1R3004A20A1201](#) [6-22279-3](#) [N03FA03144](#) [1300140077](#) [XS8A-0441](#) [859RD04-103R004](#) [860RD04-113R004](#)  
[860RD04-213R004](#) [860-X08-213R004](#) [1-213245-2](#) [2273142-2](#)