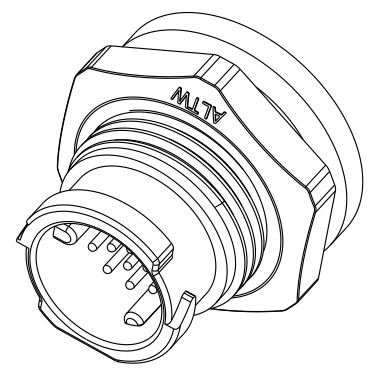
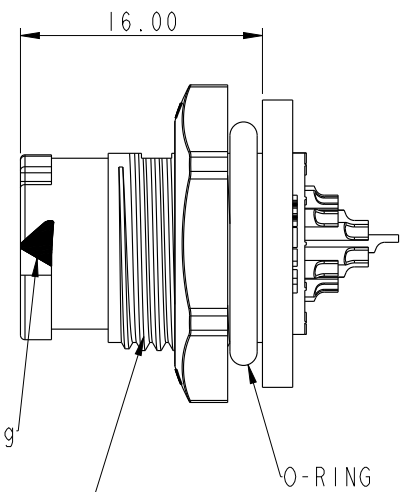
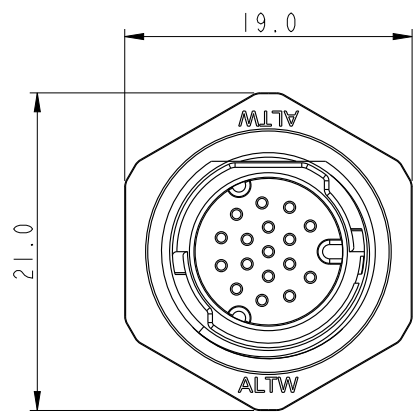


THIS DOCUMENT IS SUBJECT TO CHANGE WITHOUT NOTICE. IT IS CONFIDENTIAL AND A PROPERTY OF Amphenol LTW. DISCLOSURE TO THIRD PARTY HAS TO BE AUTHORIZED BY Amphenol LTW.

REV.	ECN NO.	DATE	SIGN	DESCRIPTION
B	C210482	2021-03-29	Ouyang	X2



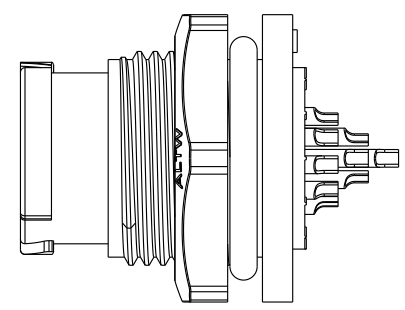
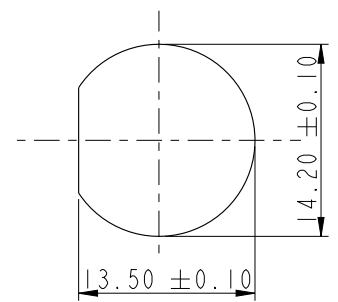
White Printing

9/16"-24UNS

O-RING

Note:

- * RoHS Compliant
- * Important Dimension
- * Waterproof Rate: IPX8, Unmated 1m/24h
- * Connector
 - Housing: Thermoplastic, Black
 - Pin: Copper Alloy, Gold Plated
- * Nut: Metal / Thermoplastic, Black
- * O-Ring: Rubber, Gray
- * For Panel Thickness Max 4.0mm
- * Use with waterproof cap or dust cap
Panel thickness Max: 3.0mm
- * O-Ring and nut are packed separately in PE bag
- * Nut is packed separately in PE bag



Recommended Panel Cut-out

UNIT: mm		
TOLERANCE	±0.5mm	

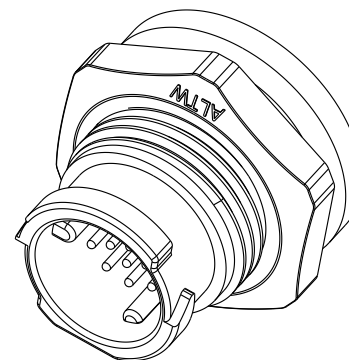
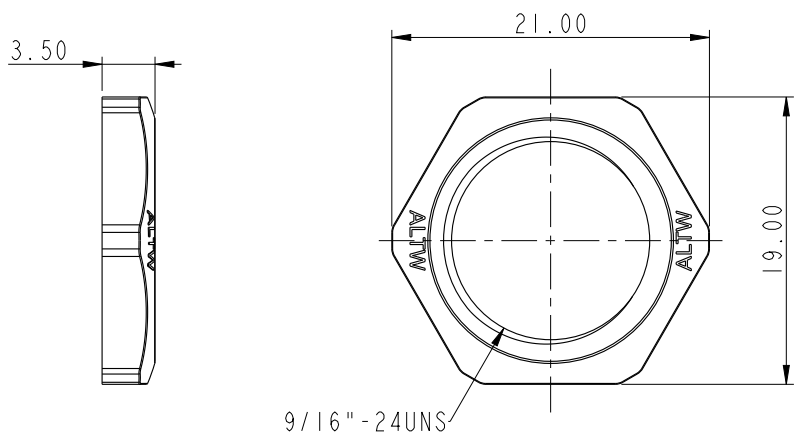
TITLE X-LOK A Size 17Pin Panel			
SCALE 1:1	SIZE A4	SHEET 1 OF 2	
REV. B	WC-REV. .0	Inspection item	

Amphenol LTW
安費諾亮泰企業股份有限公司

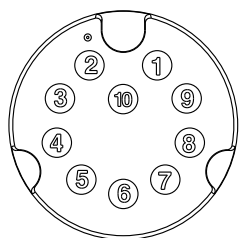
ITEM NO	DRAWN BY Ouyang	DATE 2021-03-24
DWG NO AZ-XXPMMS-0C8001	CHECKED BY Jerry	DATE 2021-03-24
CUSTOMER ALTW	APPROVED BY Fred	DATE 2021-03-24

THIS DOCUMENT IS SUBJECT TO CHANGE WITHOUT NOTICE. IT IS CONFIDENTIAL AND A PROPERTY OF Amphenol LTW. DISCLOSURE TO THIRD PARTY HAS TO BE AUTHORIZED BY Amphenol LTW.

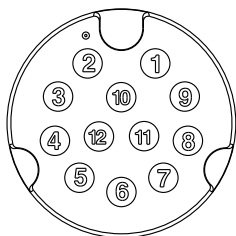
△B



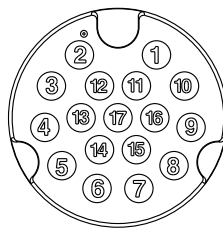
NUT



10Pin



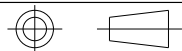
12Pin



17Pin

Pin Assignments Front View(10~17PIN)

UNIT:mm



TOLERANCE

±0.5mm

TITLE

X-LOK A Size 17Pin Panel

SCALE 1:1

SIZE A4

SHEET 2 OF 2

REV. B

WC-REV. .0

☉: Inspection item

Amphenol LTW

安費諾亮泰企業股份有限公司

ITEM NO

DWG NO

AZ-XXPMMS-0C8001

CUSTOMER

ALTW

DRAWN BY

Ouyang

CHECKED BY

Jerry

APPROVED BY

Fred

DATE

2021-03-24

DATE

2021-03-24

DATE

2021-03-24

X-ON Electronics

Largest Supplier of Electrical and Electronic Components

Click to view similar products for [Circular Metric Connectors](#) category:

Click to view products by [Amphenol](#) manufacturer:

Other Similar products are found below :

[600X518037X](#) [MA1EAF1200](#) [6STD15PCR99B70A](#) [8R4000A16M020](#) [8R4A00A18M020](#) [8R5000A16M005](#) [1200910008](#) [1200910011](#)
[1300140094](#) [130203-0054](#) [1300150099](#) [RF-12S1N8A90DU](#) [1-3637-600-5205](#) [1612618](#) [8R4006A16M010](#) [8R5006A18A120](#) [1604232](#)
[1R3006A20M005](#) [RF-12P1N8A80DU](#) [RF-12P1N8A90DU](#) [41-01016](#) [41-40011](#) [41-40017](#) [42-01015](#) [4-22279-4](#) [4-22281-1](#) [4-22284-9](#) [43-](#)
[00002](#) [43-01166](#) [41-40005](#) [41-40016](#) [43-00161](#) [43-01191](#) [XS3P-M421-2](#) [600X518050X](#) [SACC-DSI-FS-5P-PG9-L180 SC](#) [8R4006A16A120](#)
[8R4000A16M010](#) [RKC 50/16](#) [1R3004A20A1201](#) [6-22279-3](#) [N03FA03144](#) [1300140077](#) [XS8A-0441](#) [859RD04-103R004](#) [860RD04-113R004](#)
[860RD04-213R004](#) [860-X08-213R004](#) [1-213245-2](#) [2273142-2](#)