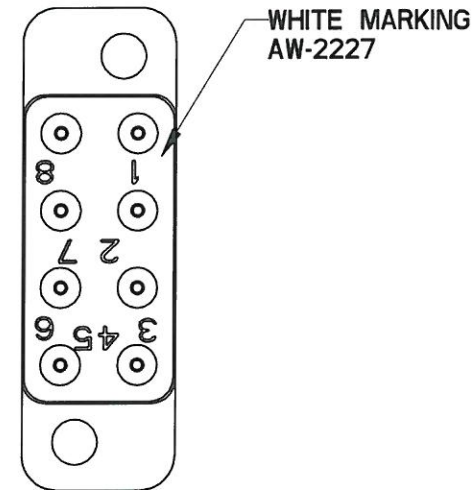
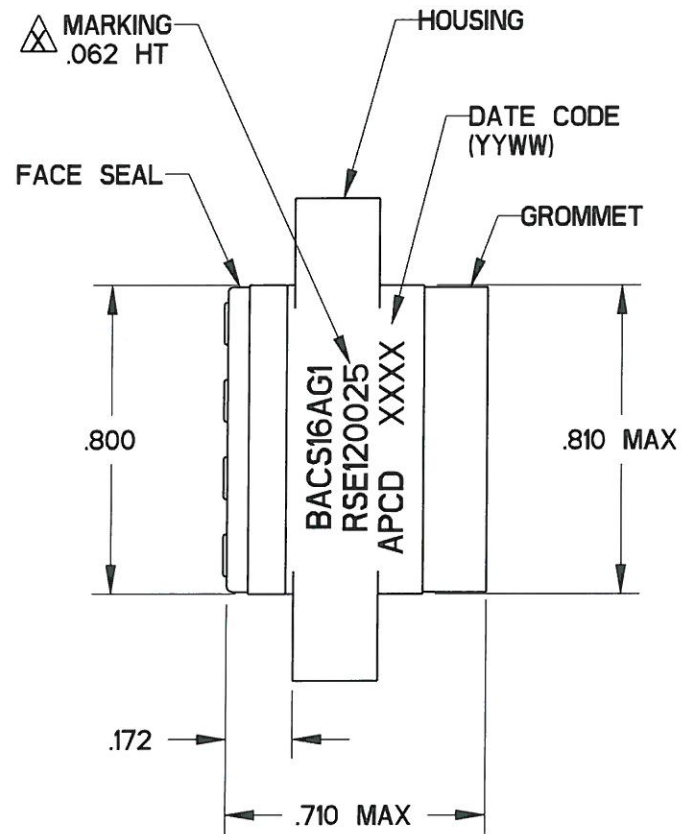
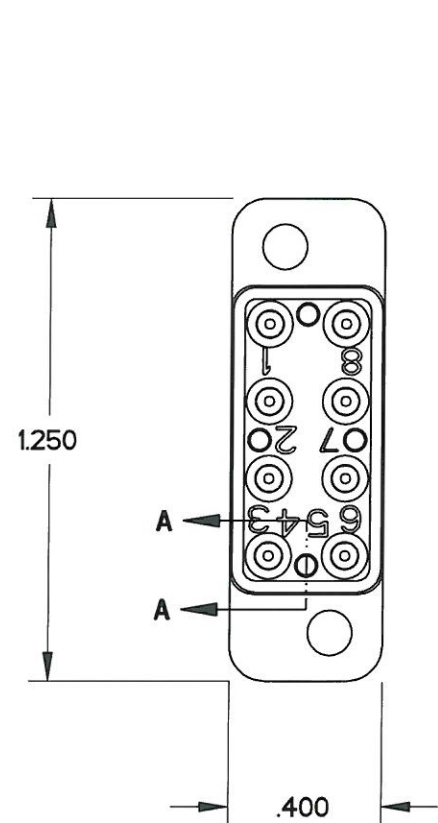


REV	ECN	DESCRIPTION	APP'D
W	6758	REDRAW IN PROE	JT 1/13/12
X	6848	UPDATE MARKING	<i>[Signature]</i>



NOTE :
BOEING PACKAGING SPECIFICATION REQUIRES A LABEL WITH THE FOLLOWING INFORMATION TO BE AFFIXED TO THE UNIT PACKAGE (POLY BAG) :

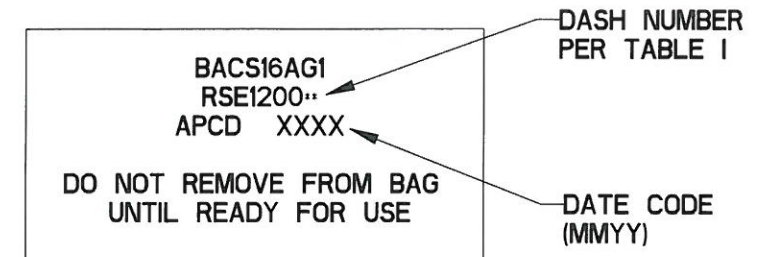
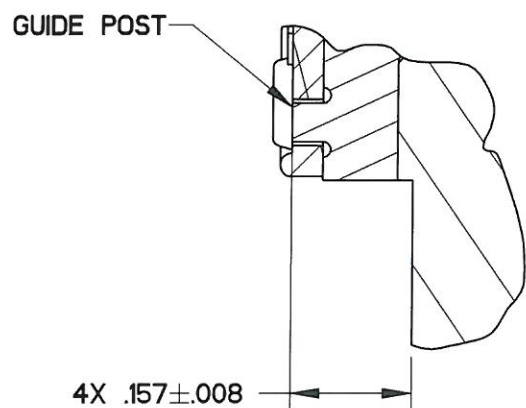


TABLE II		
PART NO.	DESCRIPTION	QTY
200006201	*2 SPLIT LOCK WASHER	2
200006301	*4 SPLIT LOCK WASHER	2
200006401	*4 FLAT WASHER	2
200006501	*2-56 FILLISTER HEAD SCREW	2
200006801	*4 MTG STUD W/*2-56 HOLE	2
200006901	*4-40 HEX NUT	2

TABLE I		
PART NO.	CONTACTS SUPPLIED	MARKING
RSE120023	NONE	RSE120026
RSE120026	(9) SZ 22/20	



SECTION A-A
SCALE 4:1
TYP 4X

DIMENSIONS ANSI Y14.5M UNITS: INCHES Pro/E FILE	TOLERANCES .XX ±0.01 .XXX ±0.010 ANGLES ±2.0°	PROJECTION 	Amphenol Pcd ENGR A. Hien 18-Aug-10			TITLE RELAY SOCKET 8 POS - SIZE 20 BOEING BACS16AG1		
			ORIGINAL NOT FOR CUSTOMER DISTRIBUTION	THIS DOCUMENT CONTAINS PROPRIETARY INFORMATION WHICH IS THE CONFIDENTIAL PROPERTY OF AMPHENOL PCD INC., BEVERLY, MA		CHKD <i>[Signature]</i> 9/4/12 APPD <i>[Signature]</i> 9/5/12	SIZE B DWG NO. RSE120023	REV X

RSE120023

X-ON Electronics

Largest Supplier of Electrical and Electronic Components

Click to view similar products for [Circular MIL Spec Contacts](#) category:

Click to view products by [Amphenol](#) manufacturer:

Other Similar products are found below :

[006-1189-20](#) [M39029/106-616](#) [71-VEAM](#) [809-023](#) [809-111](#) [811393-000](#) [850-014](#) [97-45-1418P-5\(920\)](#) [97-45-1418S-4](#) [D-602-0106CS076](#)
[AIC12-14P](#) [AIC16-16PG](#) [AIC8-12P](#) [AIC8-8SG](#) [AIC8-8SRAD](#) [1495044-1](#) [BACC47CP2T](#) [BACC47CP3S](#) [BACC47DP4](#) [BACC47GC1A](#)
[BACC47GN1](#) [16968/2C](#) [173-900245-91](#) [241611N001](#) [2560-220-2031](#) [27915-38T9](#) [27964-38T112](#) [2M809-118](#) [97-67-36-20](#) [AIC12-16P](#)
[AIC16-14SG](#) [AIC16-18PG](#) [AIC16-18S](#) [AIC16-20PG](#) [AIC4-4PG](#) [CE102S-18](#) [M39029/30-221](#) [M39029/77-430](#) [416-2020-088I](#) [MDM-](#)
[21SH003B-F222](#) [BA-4120-50LD](#) [BACC47CN2](#) [BACC47GC3A](#) [BACC47GD3A](#) [BACC47GM1](#) [52G137 REV A](#) [CB2-18-21PS](#) [D-602-](#)
[1116CS2727](#) [D-602-1117CS2727](#) [419-2082-102](#)