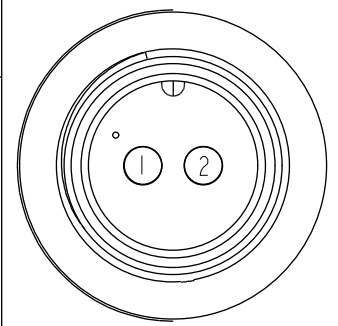
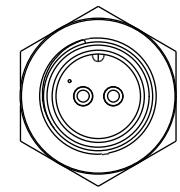
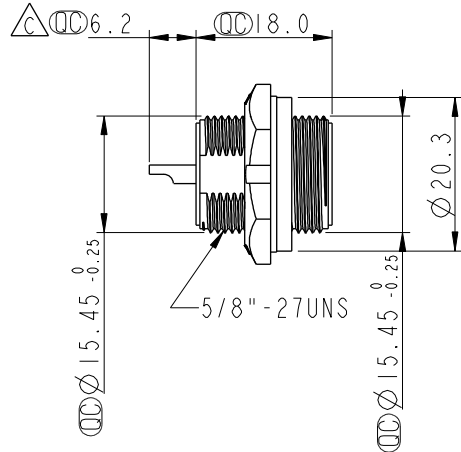
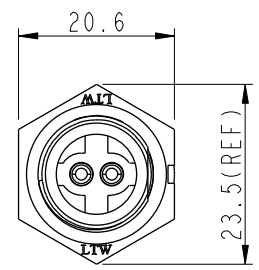


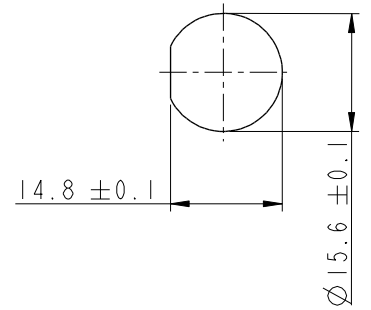
REV.	ECN NO.	DATE	SIGN	DESCRIPTION
B	LEN-8B0554	2008/09/19	Shin	Add Note
C	LE3-940127	2009/03/24	LiuShuYun	Change Size 6.20mm to 6.2mm.

ALTW
CONFIDENTIAL
2012-03-14
R&D DEPT.

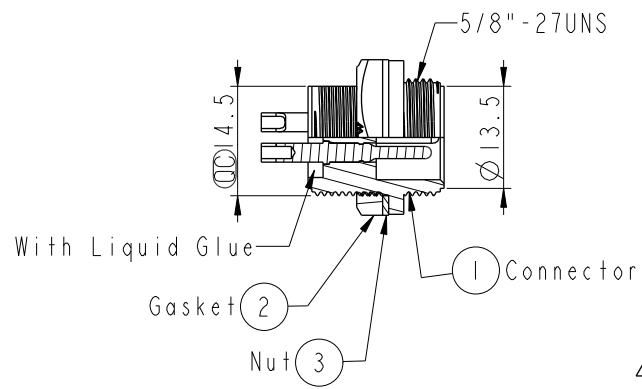
ALTW
DCC. DEPT.
CONFIDENTIAL
2012-03-20
ISSUED



Pin Assignments
Front View



Recommended Panel Cut-Out



Note:

- * \varnothing Important Dimension To Check.
- * Waterproof Rate : IP67
- * Connector: Black, Nylon+GF.
- * Male Pin: Copper Alloy, Gold Plated
- * Gasket: EPDM, Black
- * Screw Nut: Black, Nylon+GF.
- \triangle * Use with waterproof cap or dust cap
Panel Thickness Max: 4.0mm
- \triangle * Use without waterproof cap or dust cap
Panel Thickness Max: 5.0mm

UNIT: mm

TOLERANCE	
.X	±0.25
.XX	±0.1
.XXX	±0.05
ANGLES	±1°

TITLE	Standard Panel Screw 2P M Conn M Pin		
SCALE	1:1	SIZE	A4
REV.	C	WC-REV.	A.3
			\varnothing : Inspection item

Amphenol LTW
安費諾亮泰企業股份有限公司

ITEM NO.	BB-02RMMS-SC7001	DRAWN BY	SamChang	DATE	2012-03-14
DWG NO.	BB-02RMMS-SC7001	CHECKED BY	Jeffrey	DATE	2012-03-20
CUSTOMER	ALTW	APPROVED BY	Kevin	DATE	2012-03-20

THIS DOCUMENT IS SUBJECT TO CHANGE WITHOUT NOTICE. IT IS CONFIDENTIAL AND A PROPERTY OF Amphenol LTW. DISCLOSURE TO THIRD PARTY HAS TO BE AUTHORIZED BY Amphenol LTW.

X-ON Electronics

Largest Supplier of Electrical and Electronic Components

Click to view similar products for [Standard Circular Connector](#) category:

Click to view products by [Amphenol](#) manufacturer:

Other Similar products are found below :

[5M2530B10P](#) [600259N006](#) [600273N007](#) [6134-336-13149](#) [6134-337-11149](#) [6134-337-2390](#) [6134-341-17149](#) [6280-4SG-516](#) [6280-7SG-3DC](#)
[6290](#) [6291A](#) [66200A-10](#) [680-SMG](#) [681-PMG](#) [CXS3102A14S2P](#) [CXS3102A181S](#) [7251-6SG-300](#) [7271-6SG-300](#) [7282-3PG-300-CH3](#) [75-](#)
[474014-05S](#) [75-474618-01S](#) [75-474618-04P](#) [75-474618-04S](#) [799539-000](#) [MI8-SE](#) [805-005-07NF11-19PC](#) [805-005-07NF15-7PA](#) [8280-4PG-](#)
[516](#) [8280-7PG-519](#) [8282-5PG-519](#) [836783-1](#) [MP-4102-25P-C](#) [862256-1](#) [864019-2](#) [866857-1](#) [867865-1](#) [PT01SP-14-18P](#) [PT08P-14-5S](#)
[PTSF06SE-14-12S](#) [120-1833-000](#) [QCM019PC2DC012B](#) [1-2069279-1](#) [121583-0217](#) [121667-0020](#) [129591AU](#) [1000B BULK](#) [RD10A16-19-](#)
[P6CS051/1](#) [RD10A20-31-P8CS051/1](#) [RD16A14-12-S6CS051/2](#) [1301240290](#) [1301240347](#)